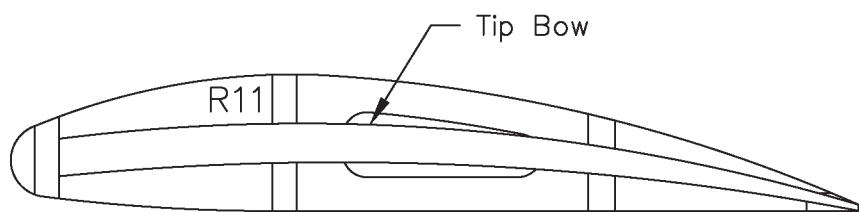
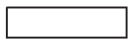
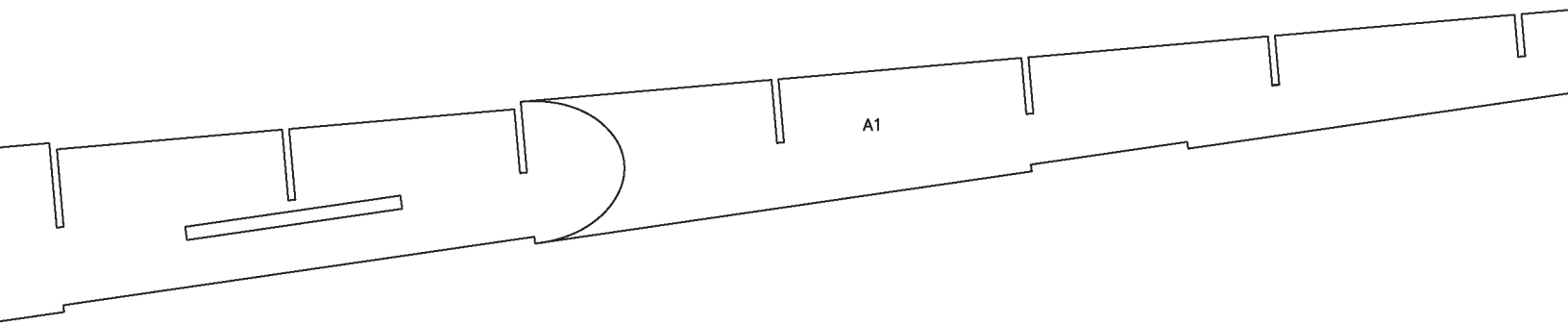
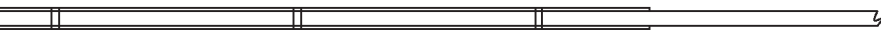


Main Spar Assembly Drawing
If Laser Cut Parts are Used
Shown at 60% Scale





Hinge Pattern

Balsa Block

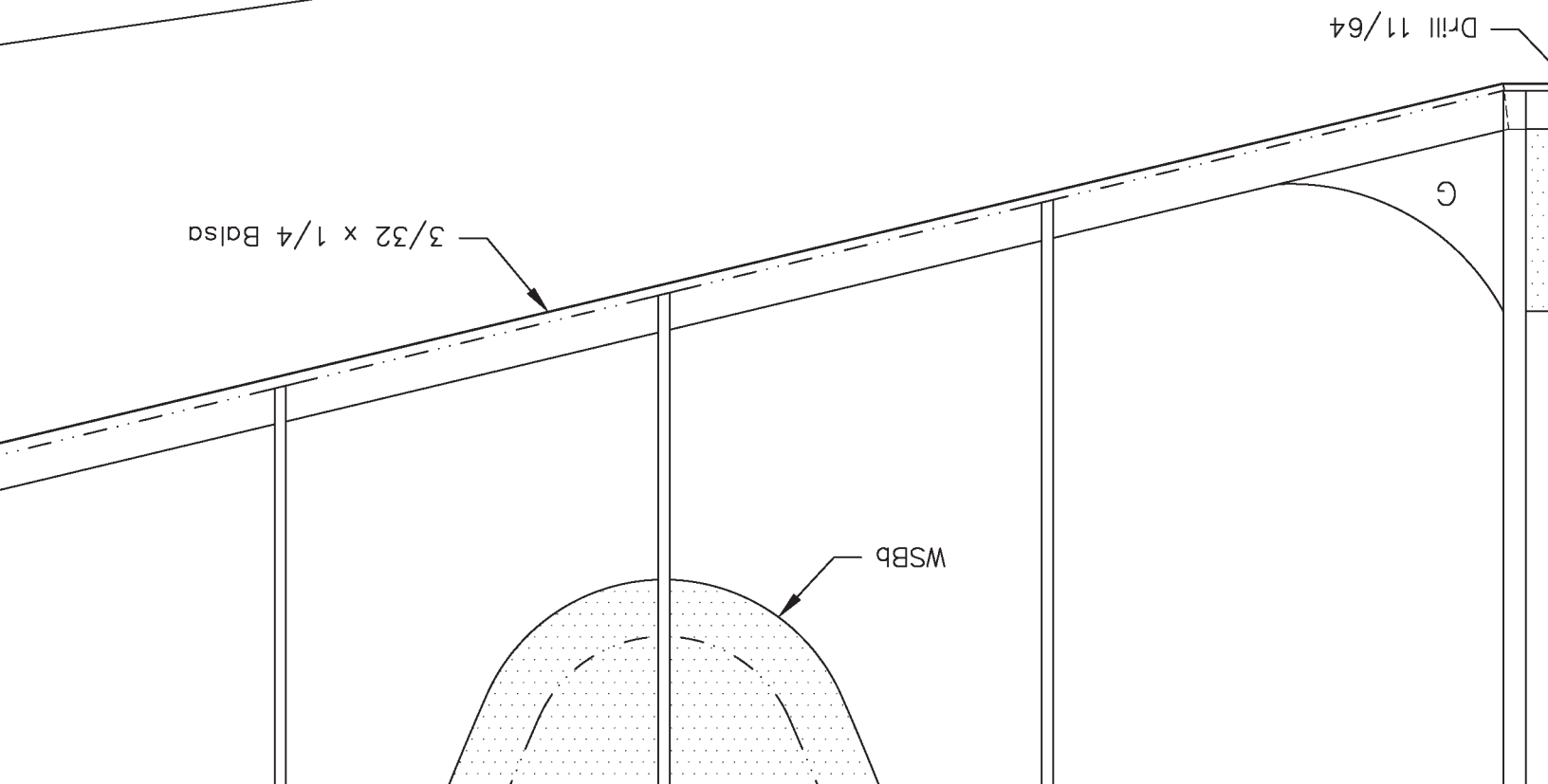
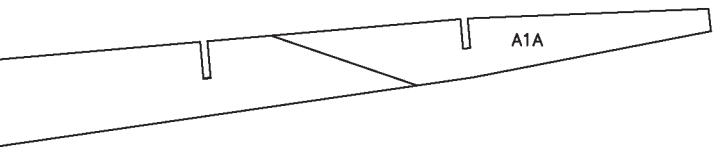


3/32 x 1/4 Balsa

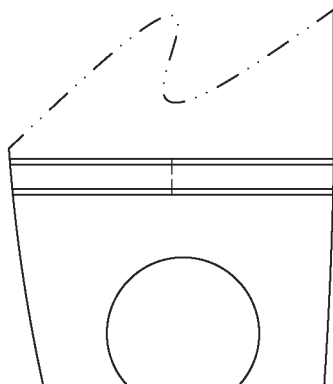
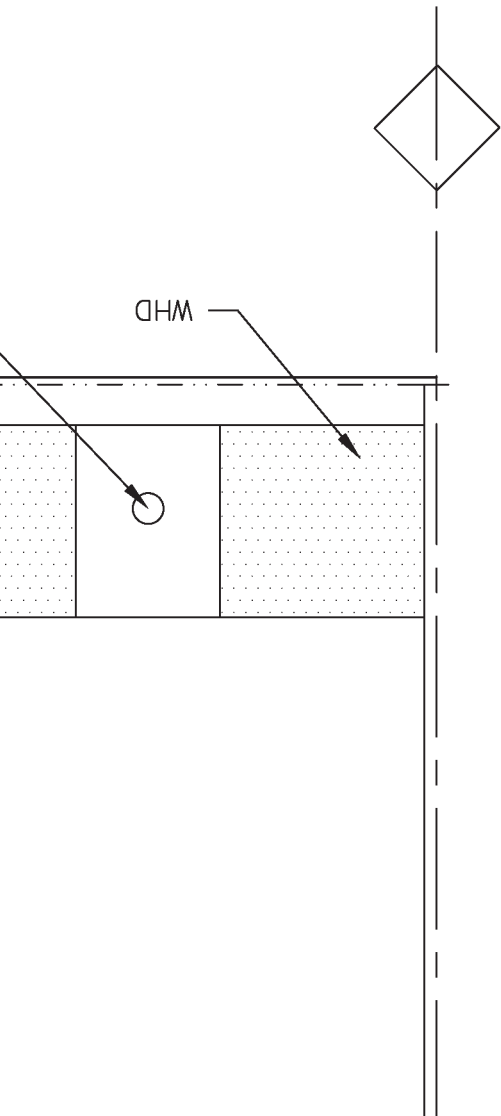
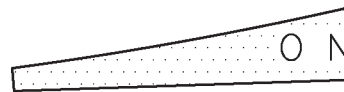
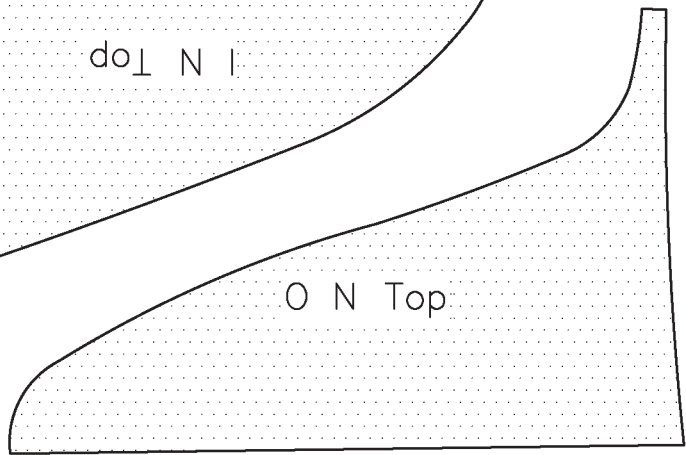
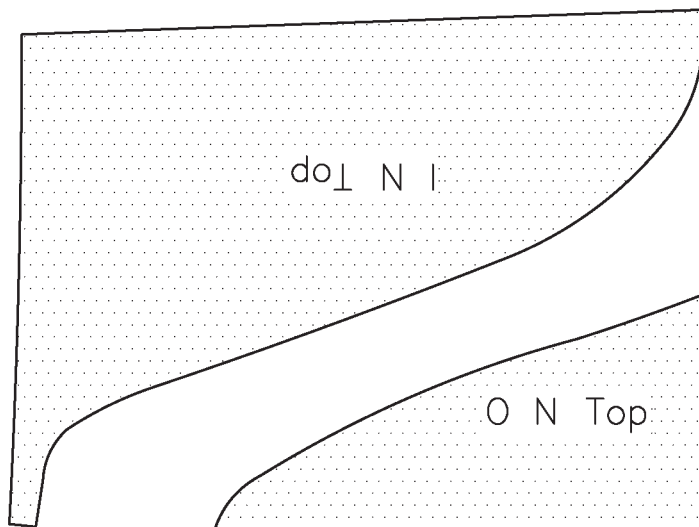


AR2

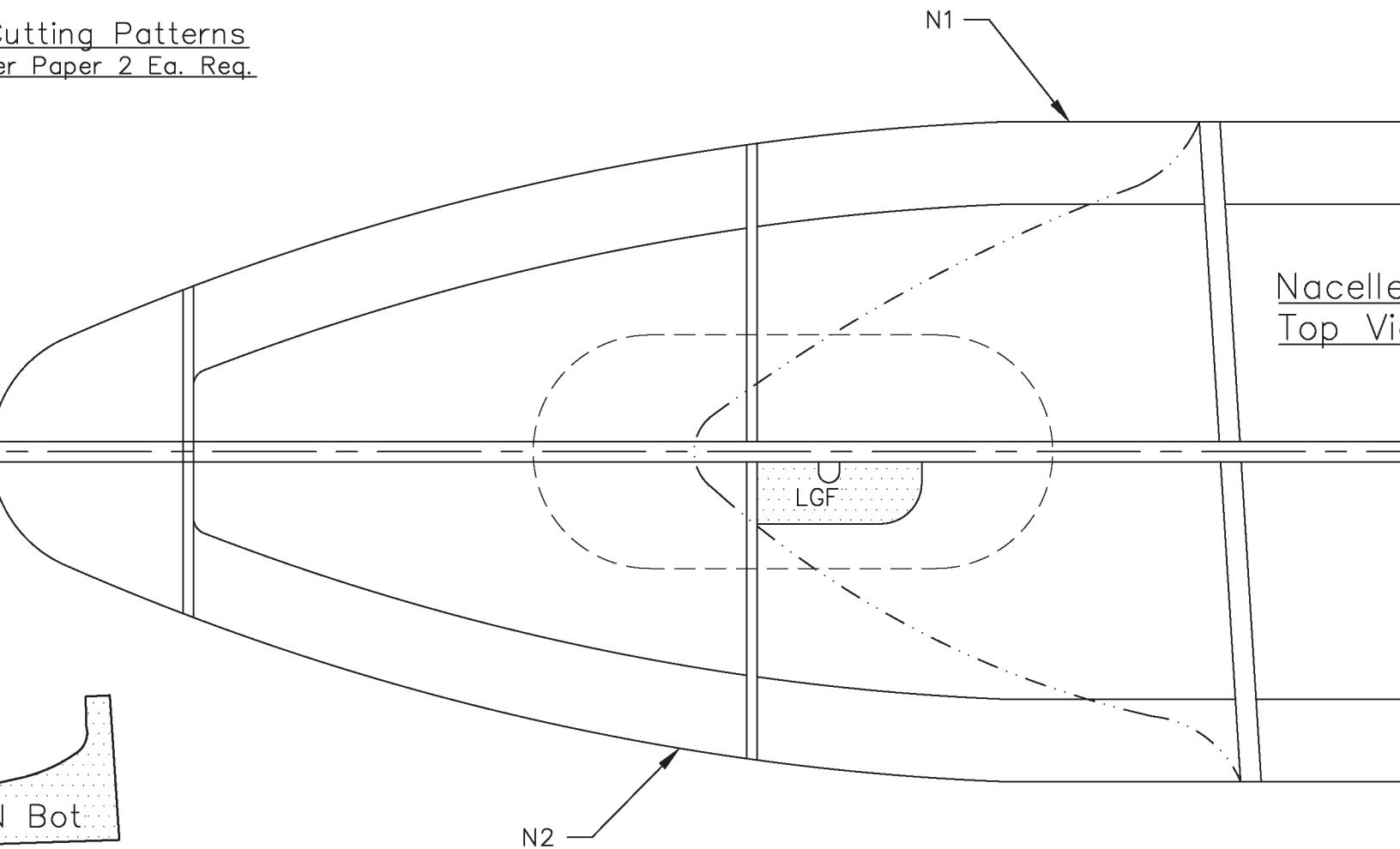
AR1



Engine Nacelle C
Make from File Folder



Cutting Patterns
per Paper 2 Ea. Req.



Nacelle
Top View

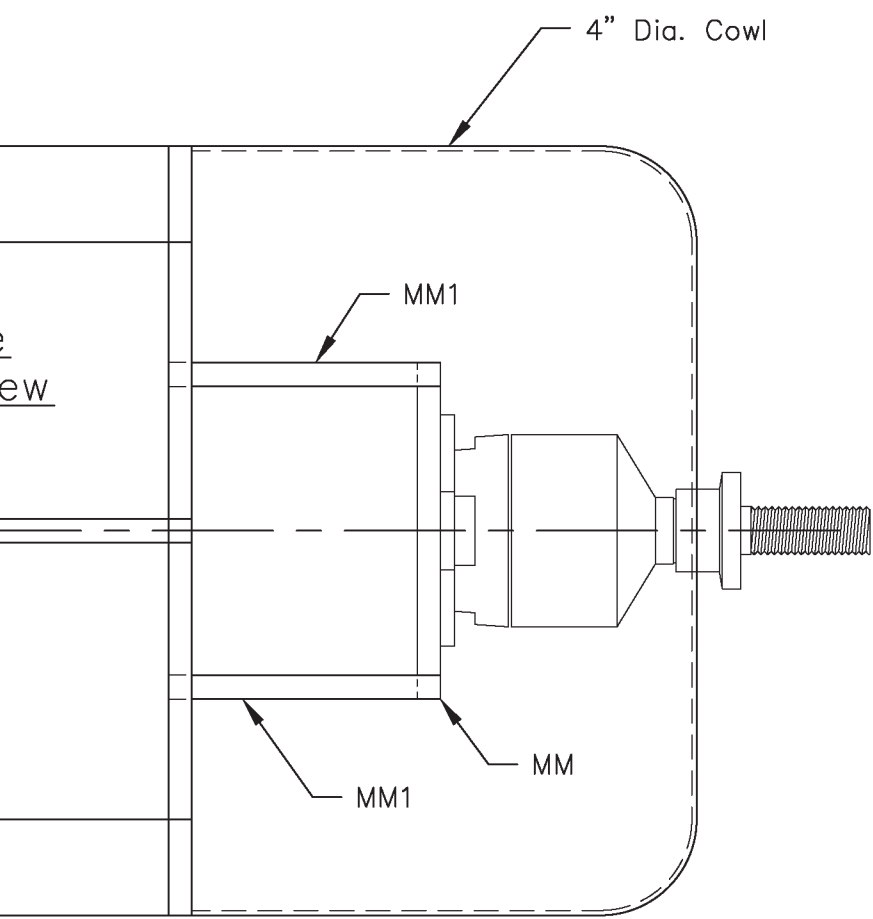
N1

LGF

N2

Bot

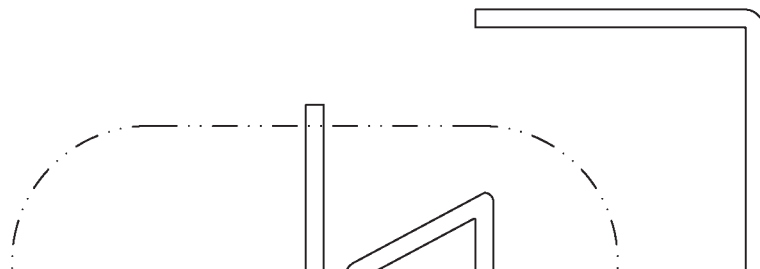
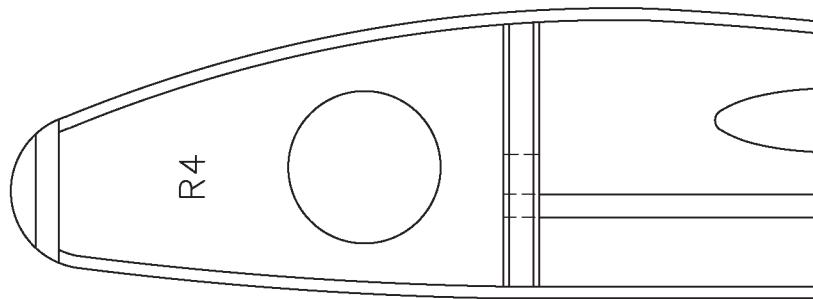
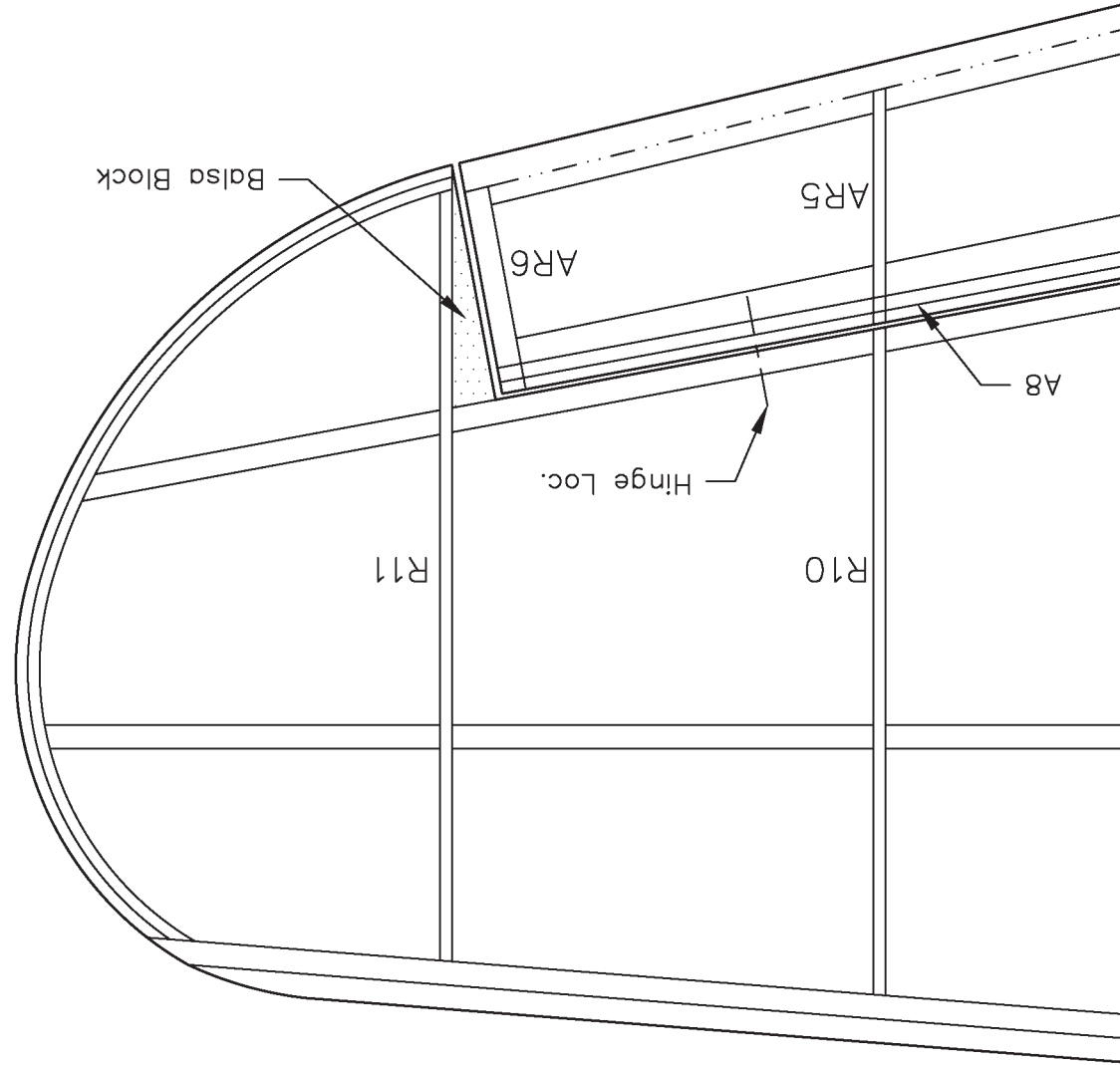
L. H. Nacelle Assembly



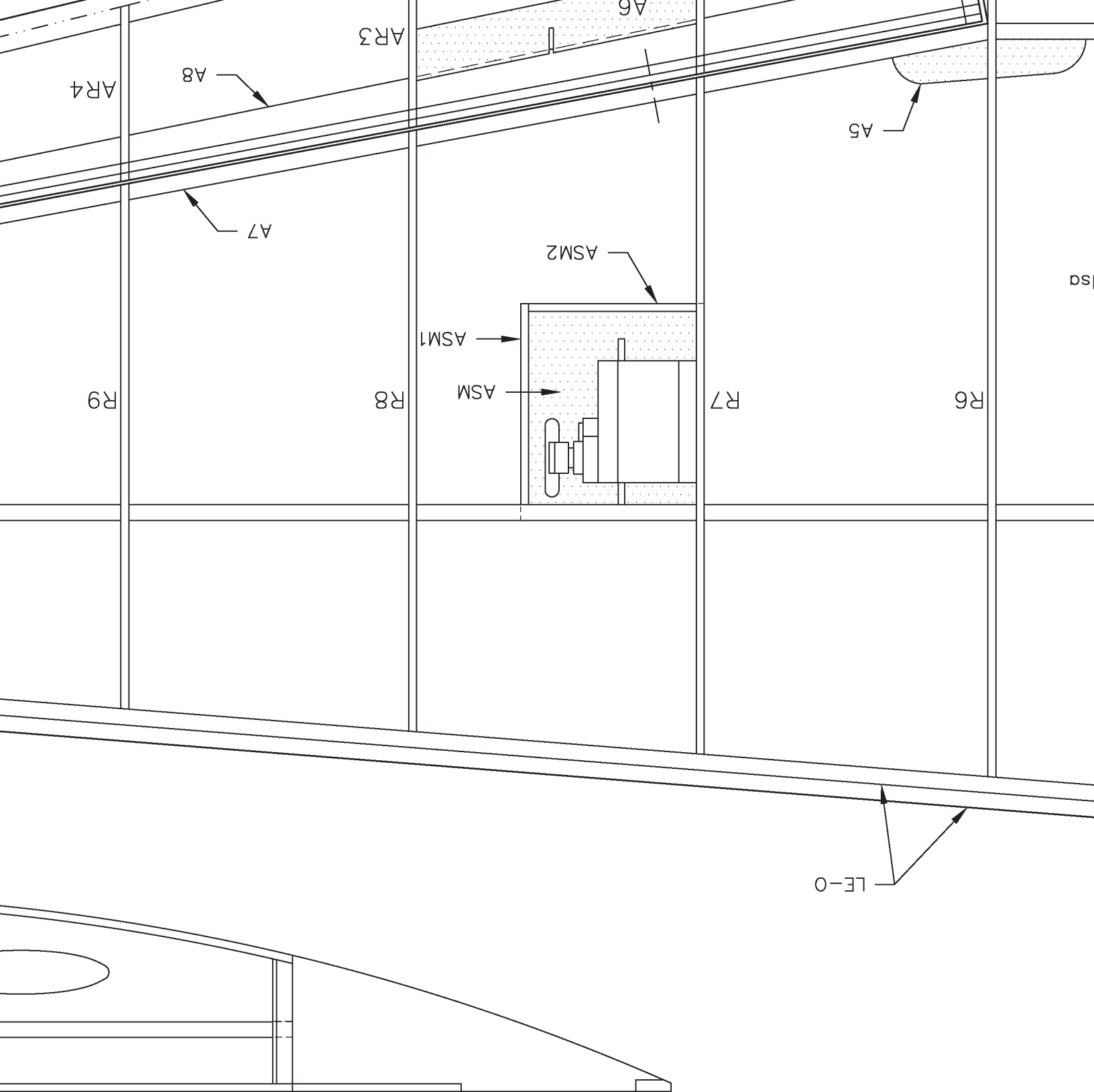
ew

N3

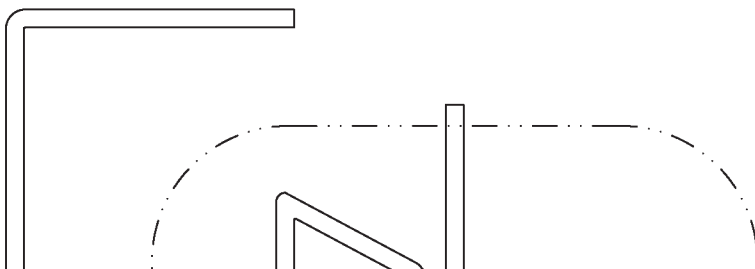
Vac-Formed Plastic Cowl

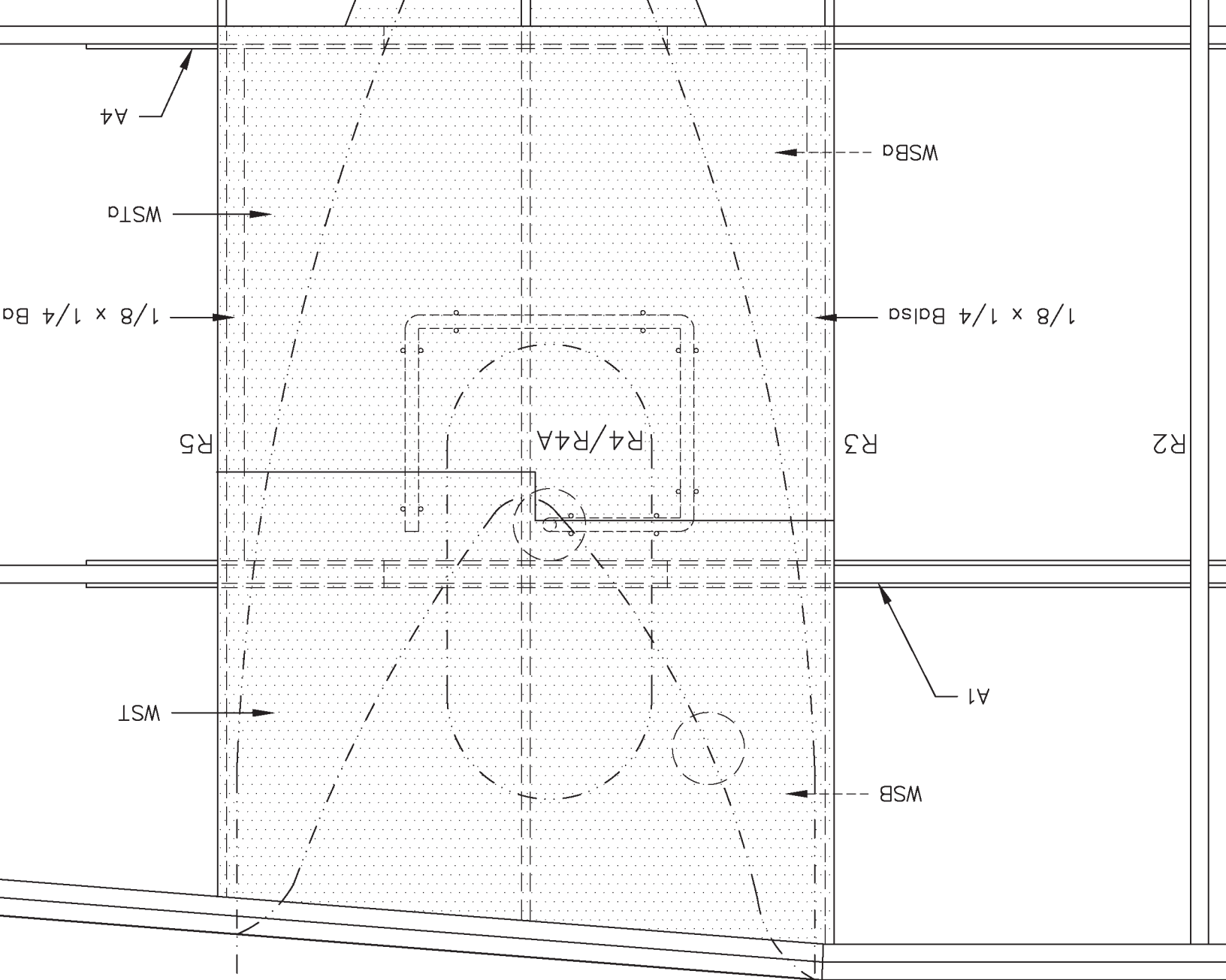


Main Landing
Make from

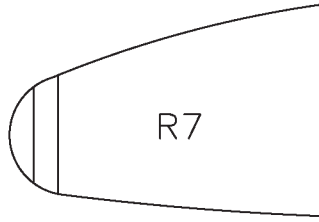


Gear Bending Pattern
 .093 Steel Wire



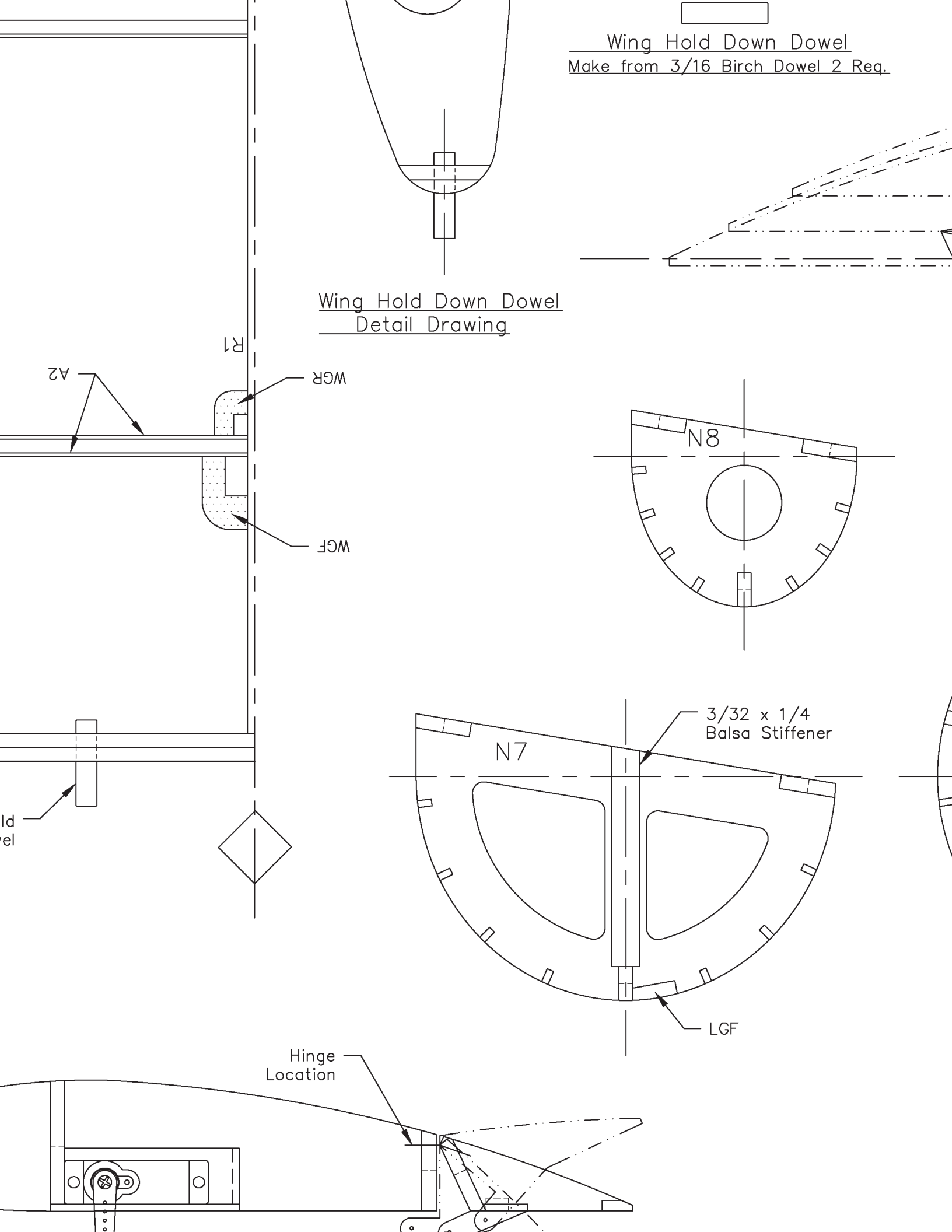


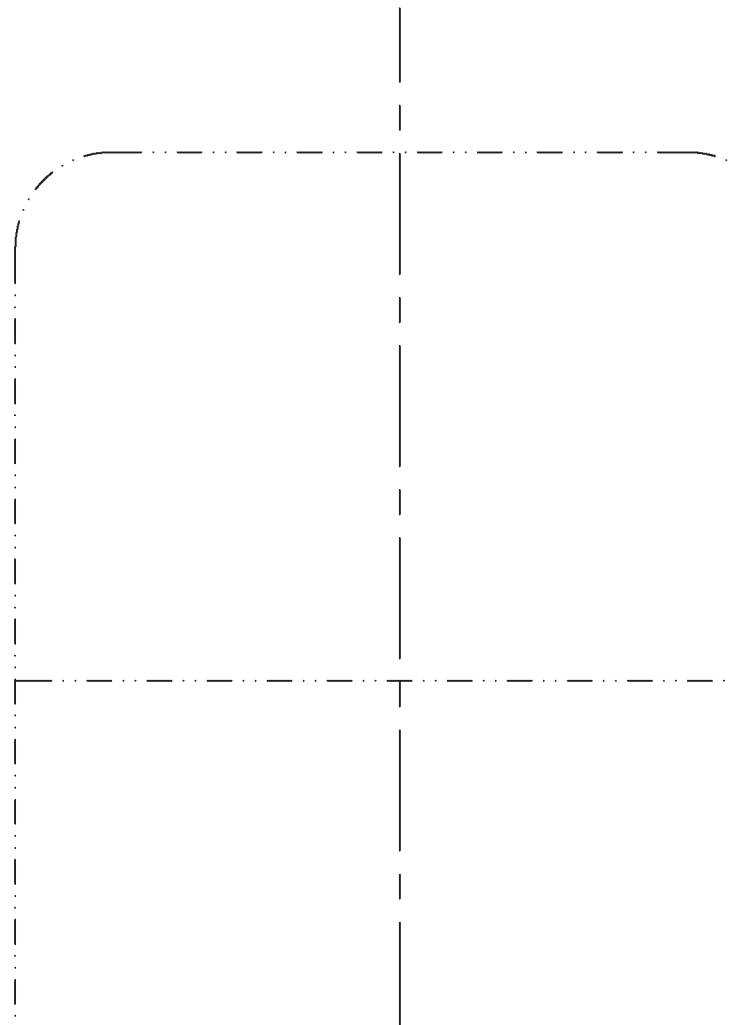
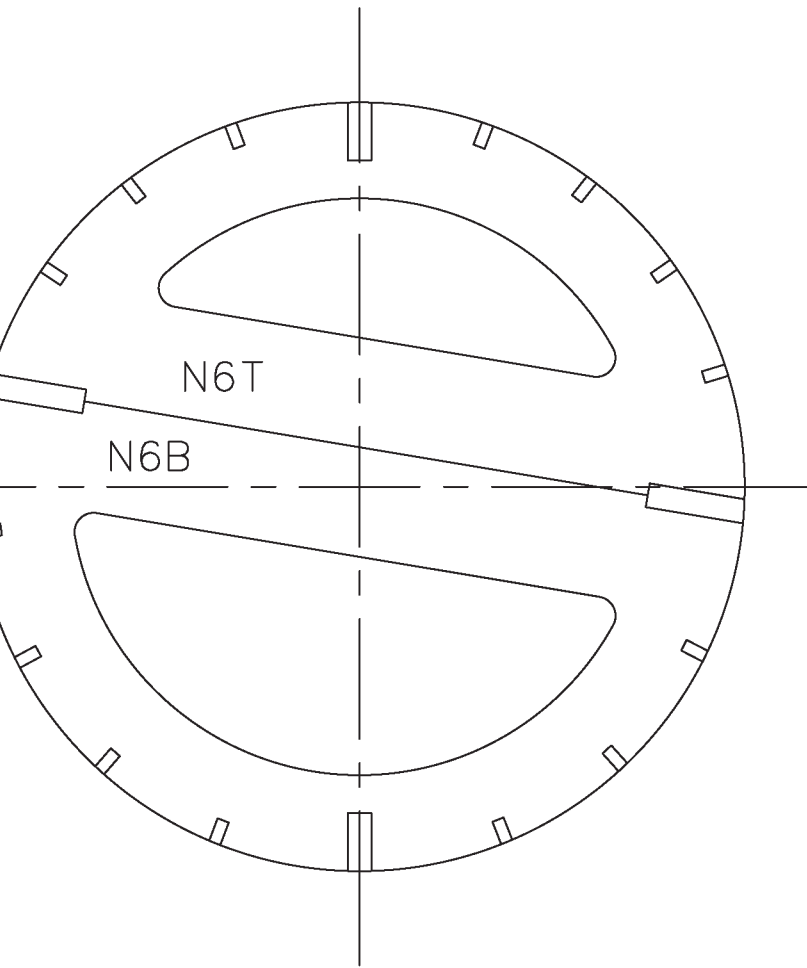
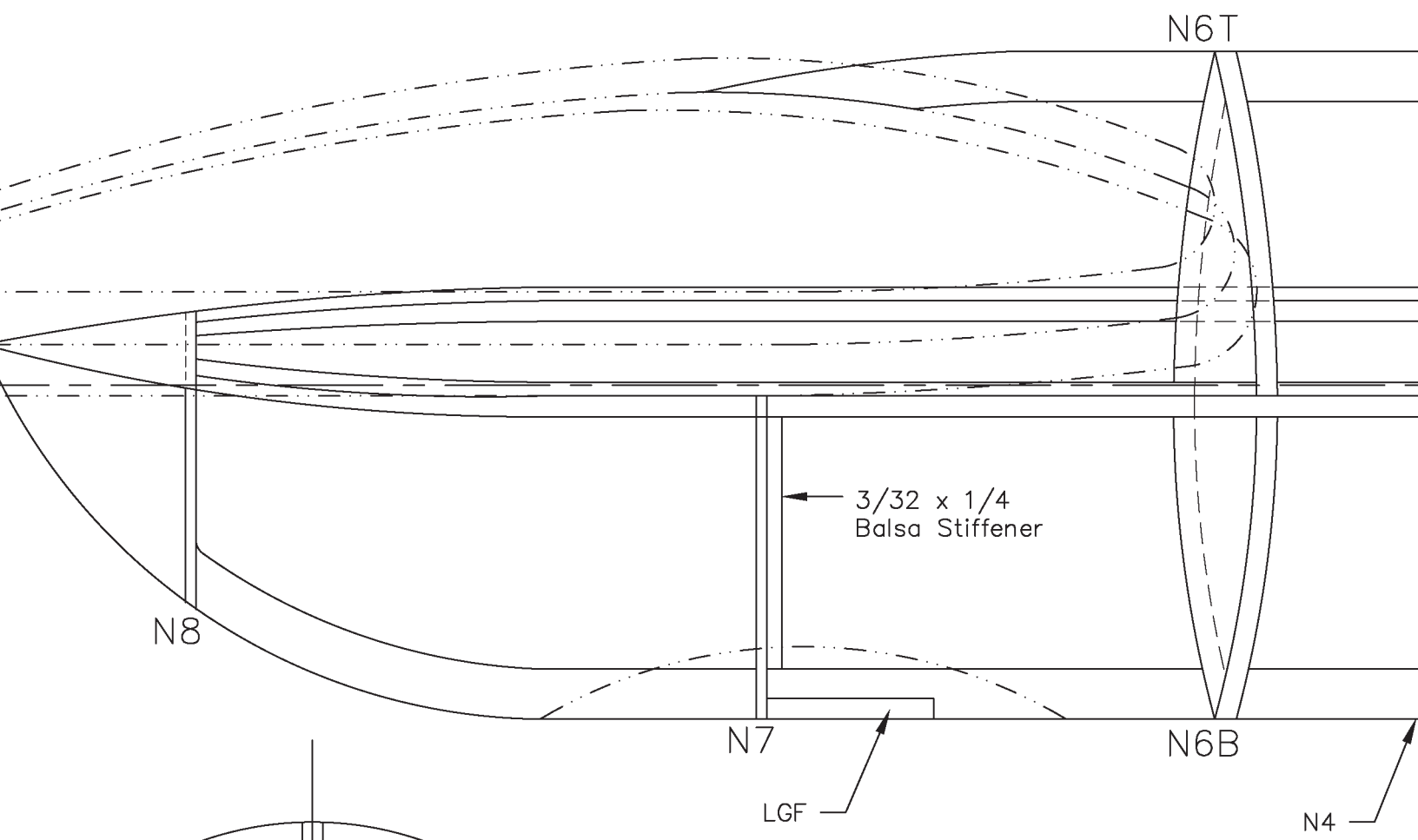
3/16 Wing Ho
Down Dow



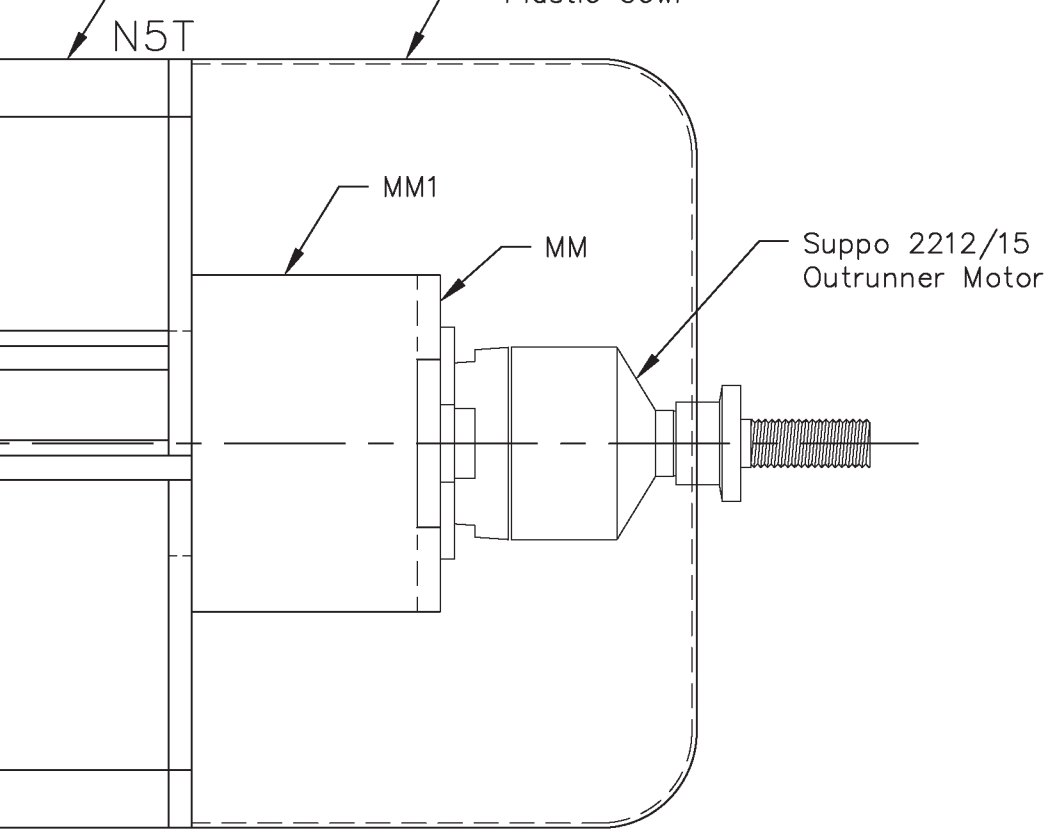
Wing Hold Down Dowel
Make from 3/16 Birch Dowel 2 Req.

Wing Hold Down Dowel
Detail Drawing



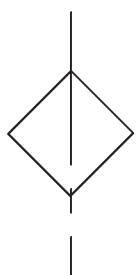
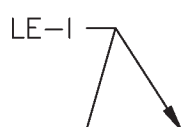
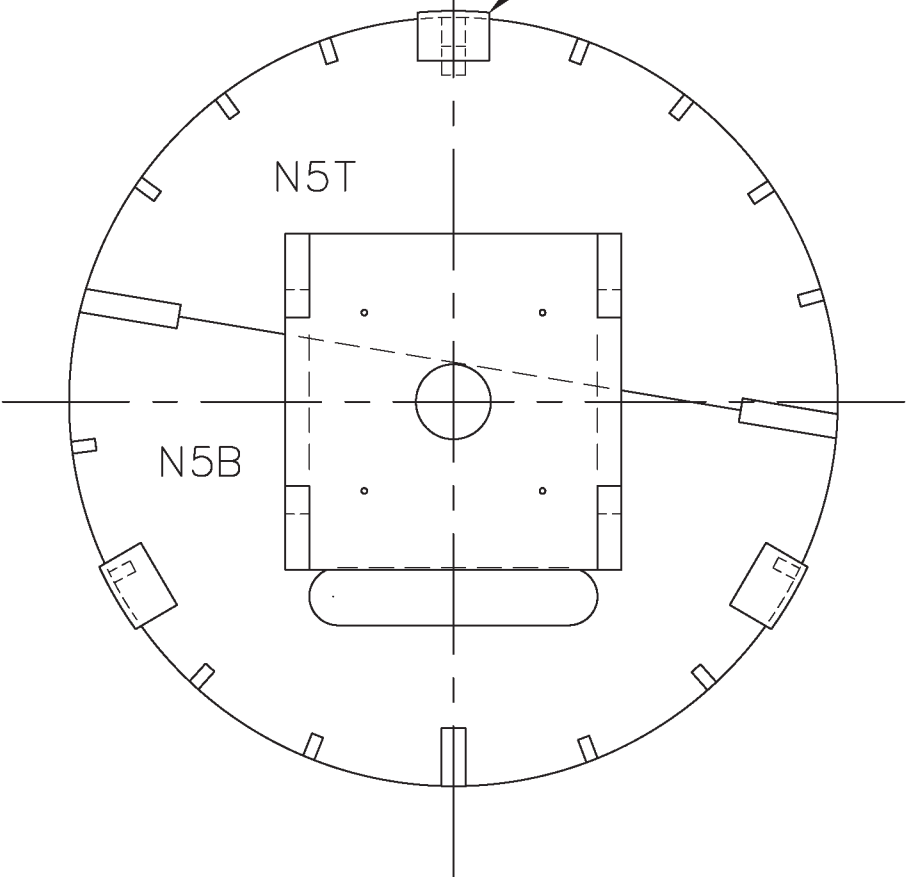


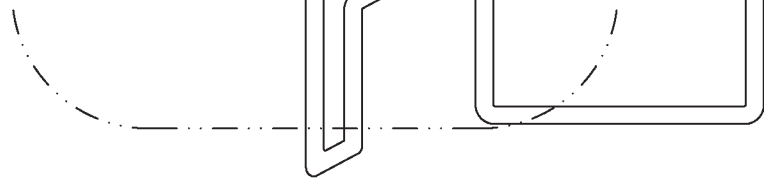
IF-0 →



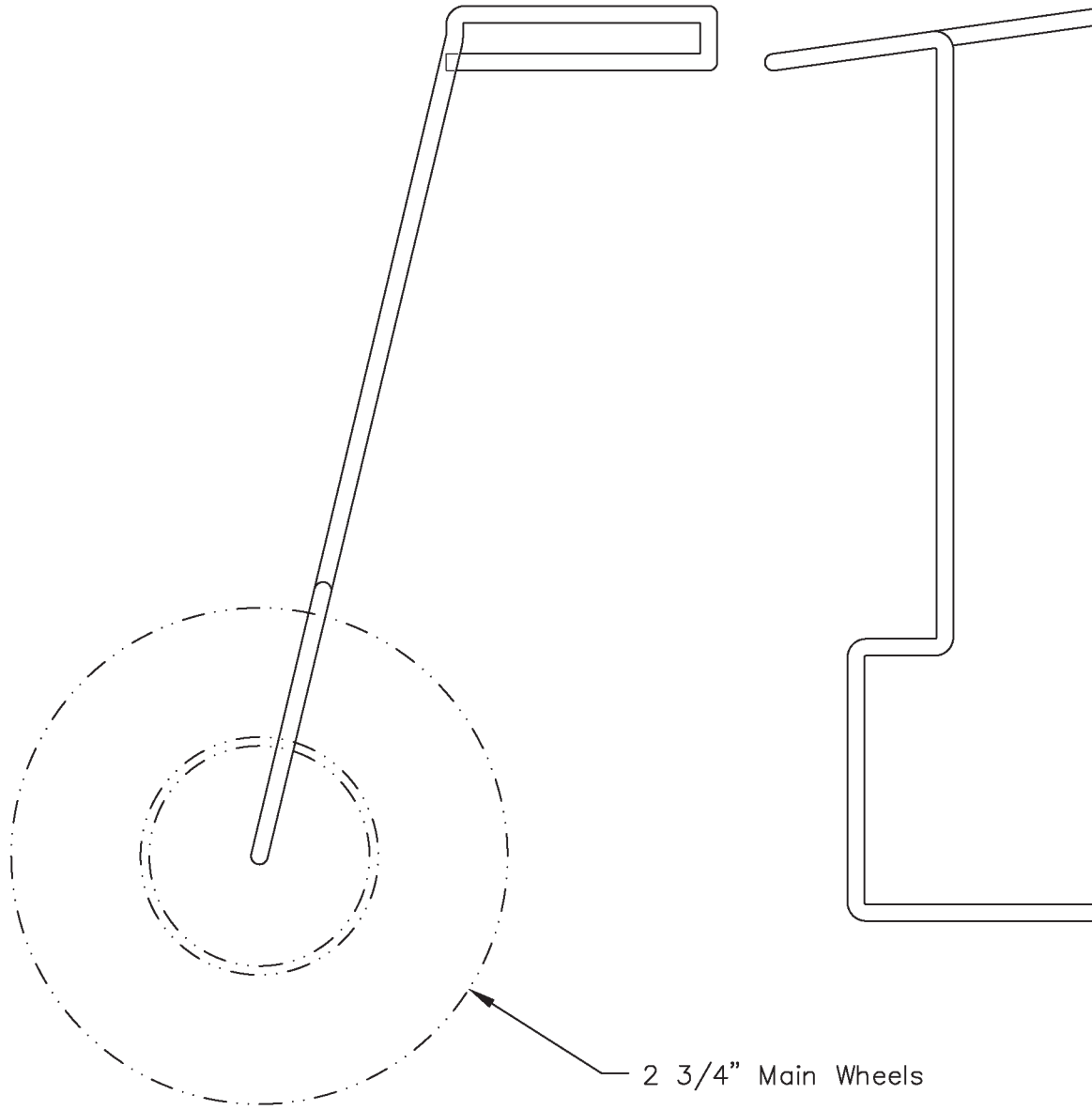
N5B

1/4 x 3/8 Basswood Cowl Mount Blocks 3 places



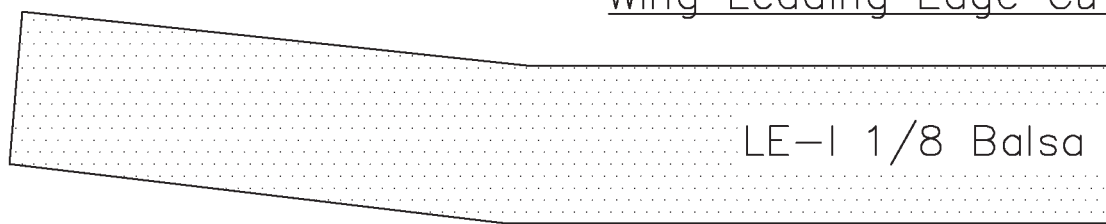


R. H. Main Gear

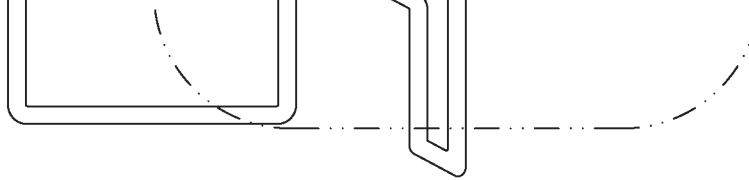


2 3/4" Main Wheels

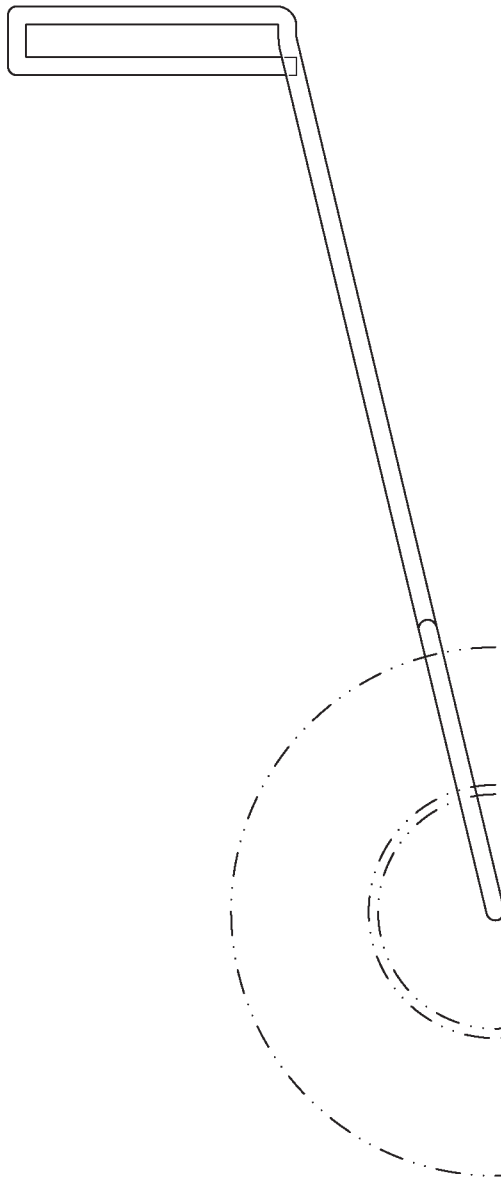
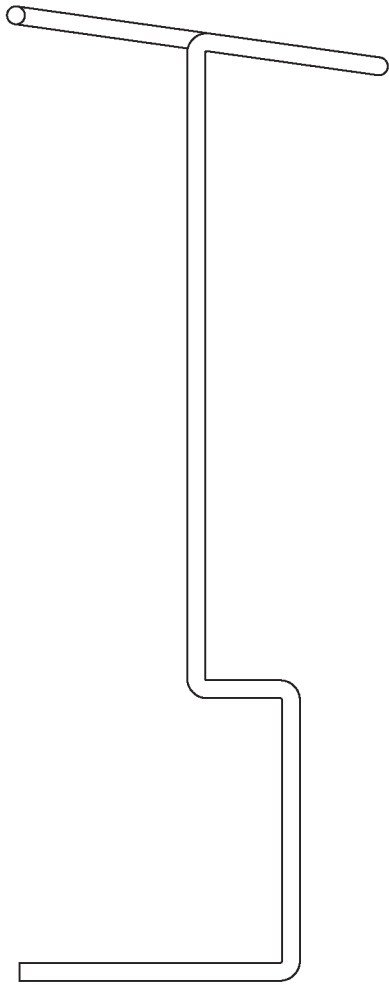
Wing Leading Edge Cutout



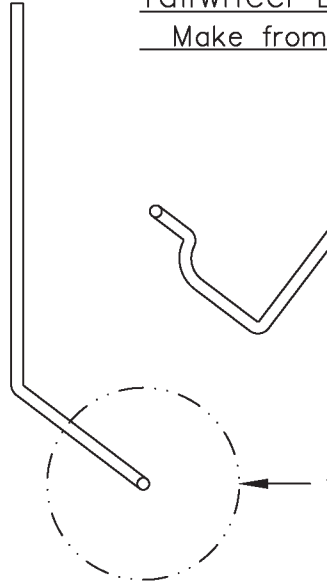
LE-1 1/8 Balsa



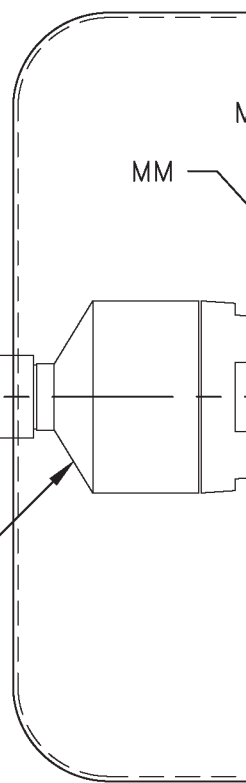
L. H. Main Gear



Tailwheel E
Make from

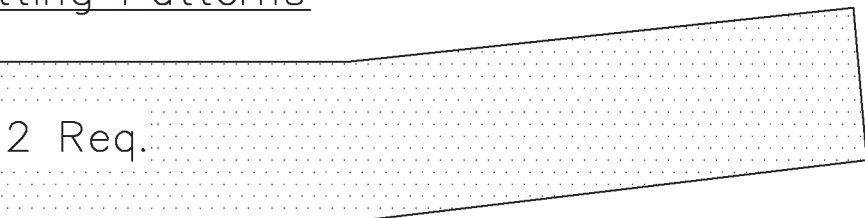


4" Dia. C



Suppo 2212/15
Outrunner Motor

Cutting Patterns



2 Req.

Bending Pattern
1/16 Steel Wire



1" Tail Wheel

Wingtips are 2 Laminations
of 1/16 x 3/16 Balsa

R11

Cowl

R. H. Nacelle Assembly

N1

Balsa Block

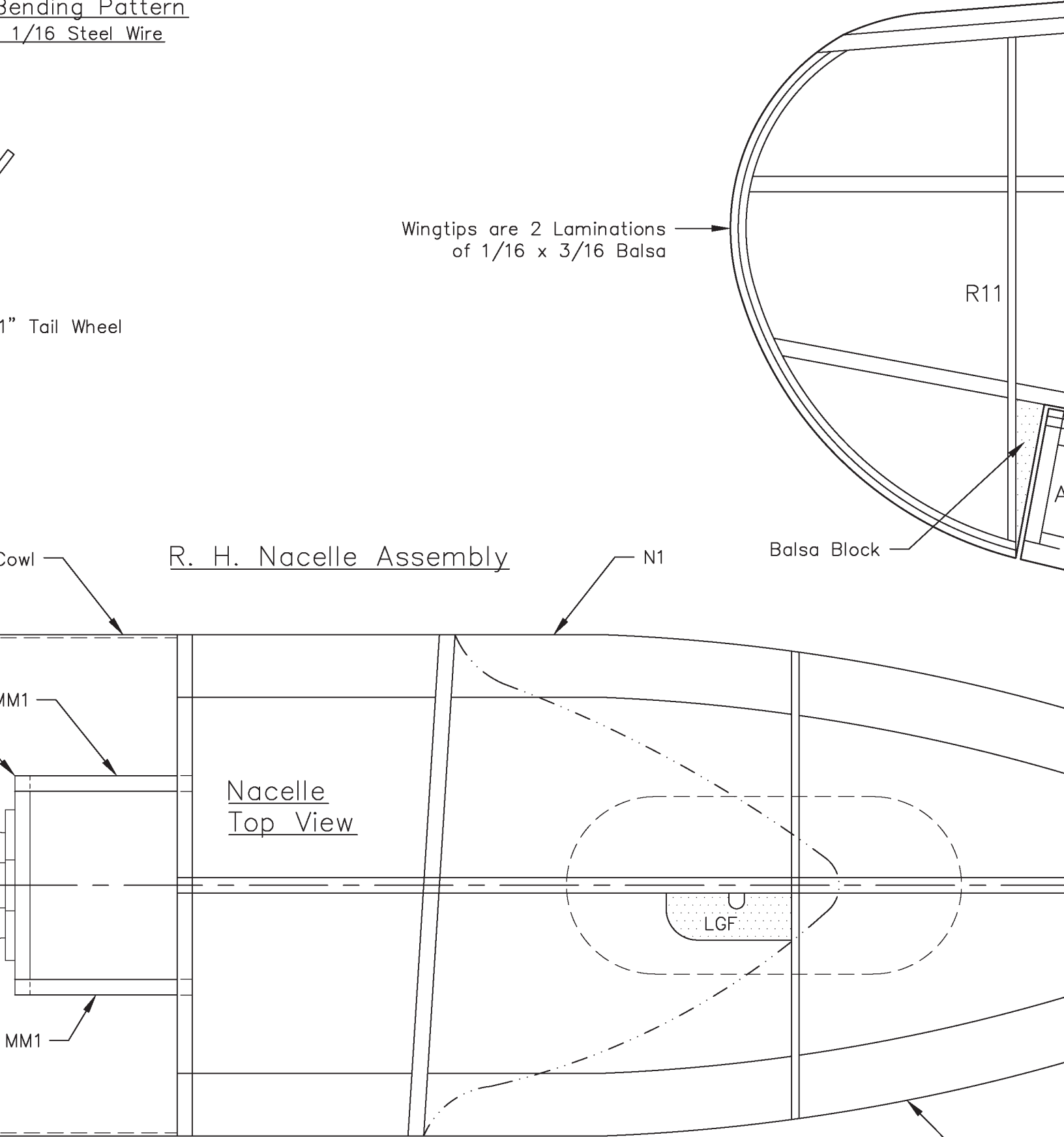
MM1

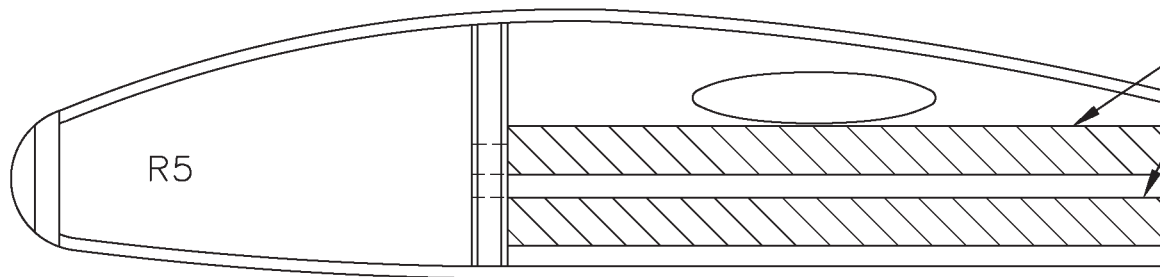
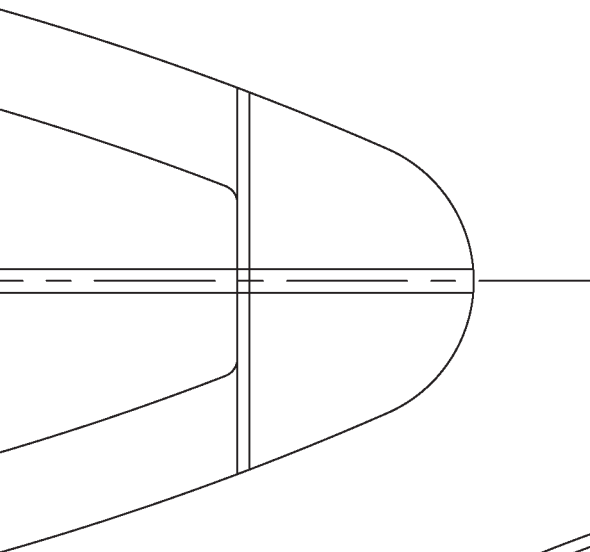
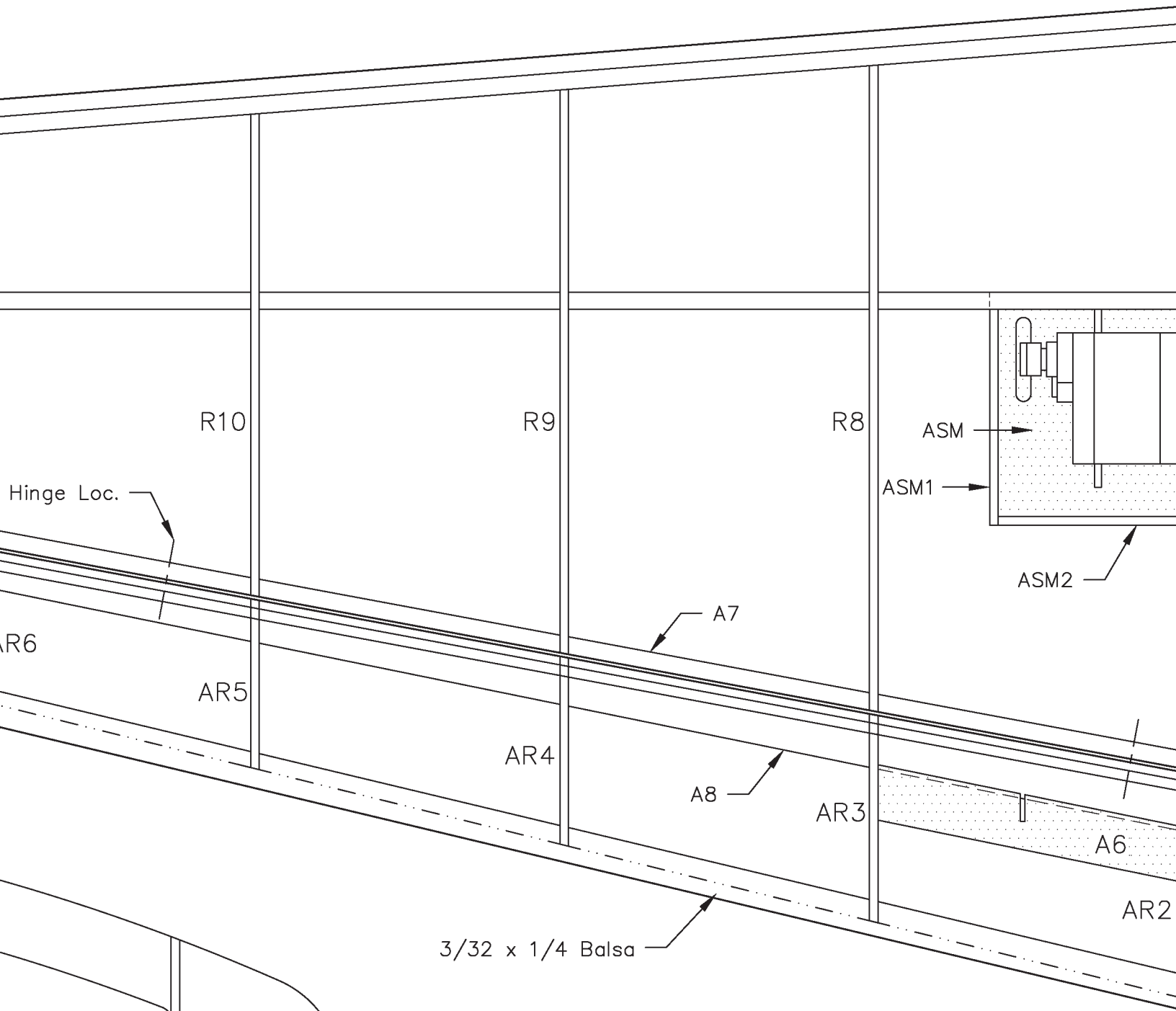
Nacelle
Top View

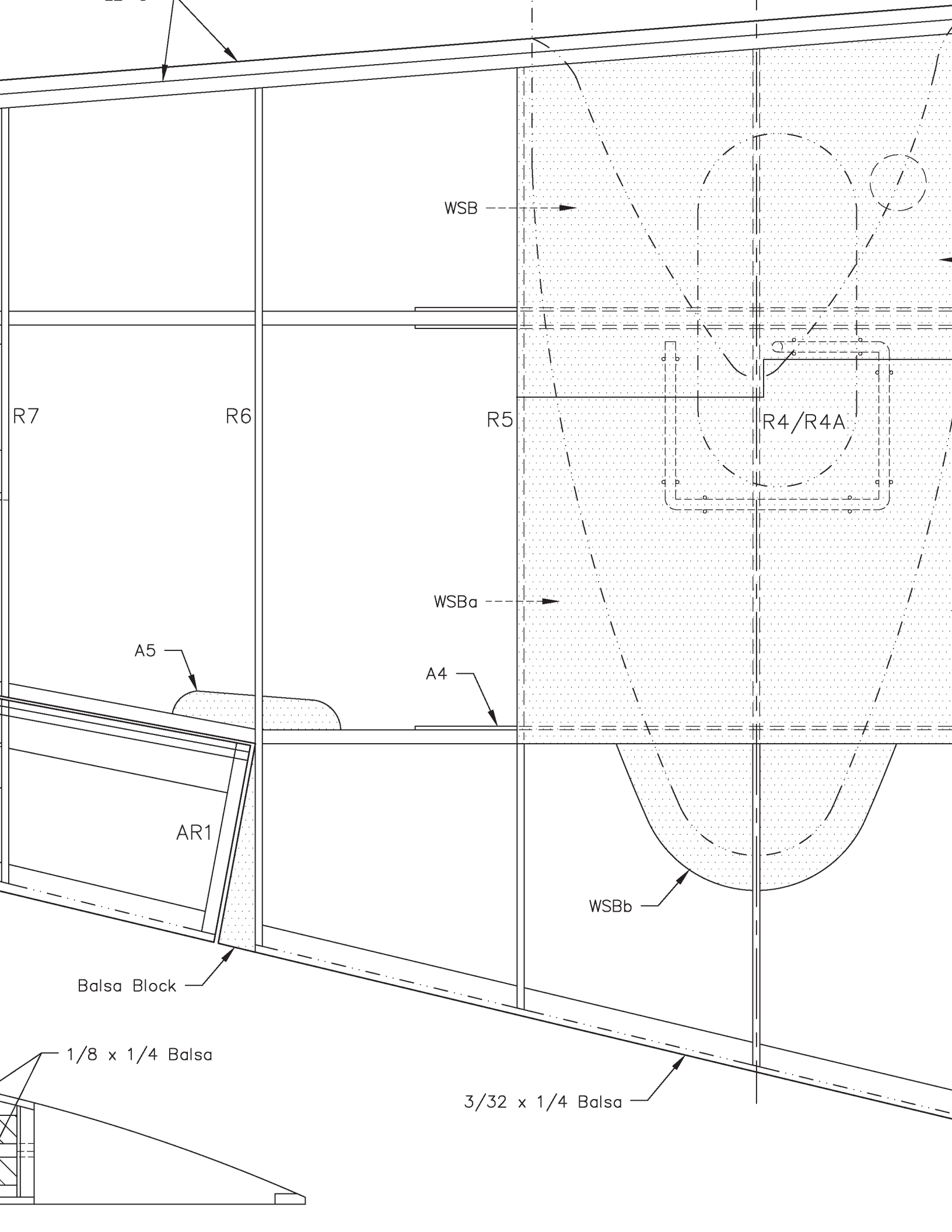
LGF

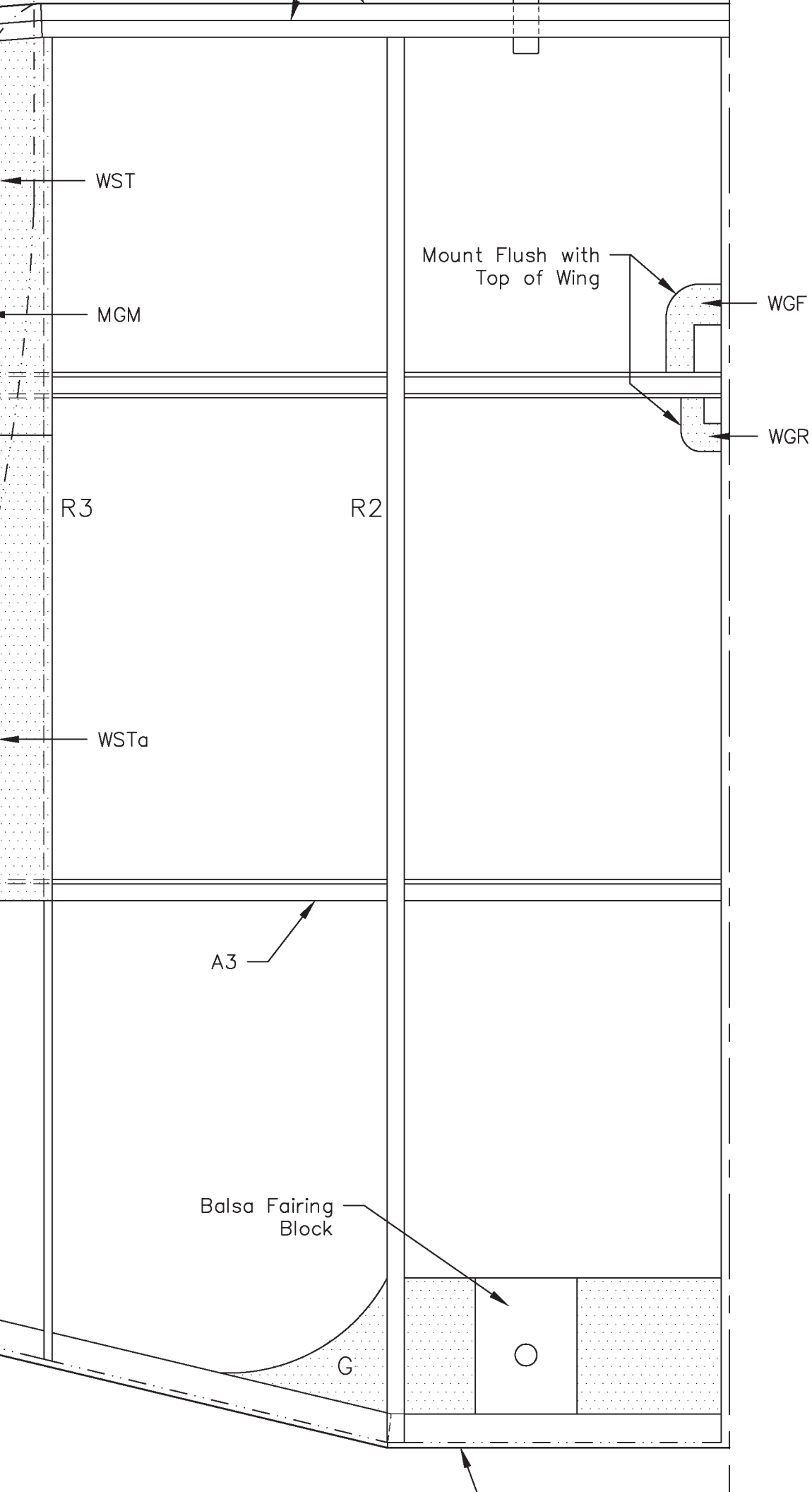
MM1

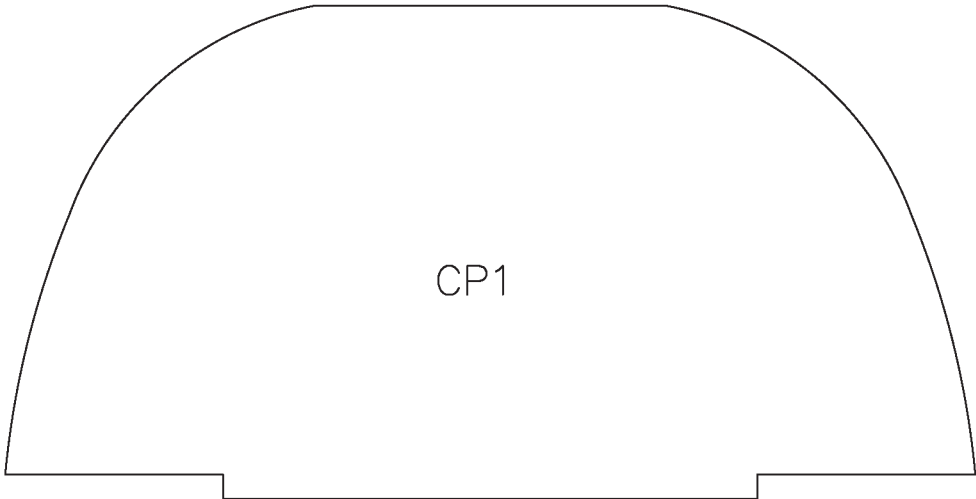
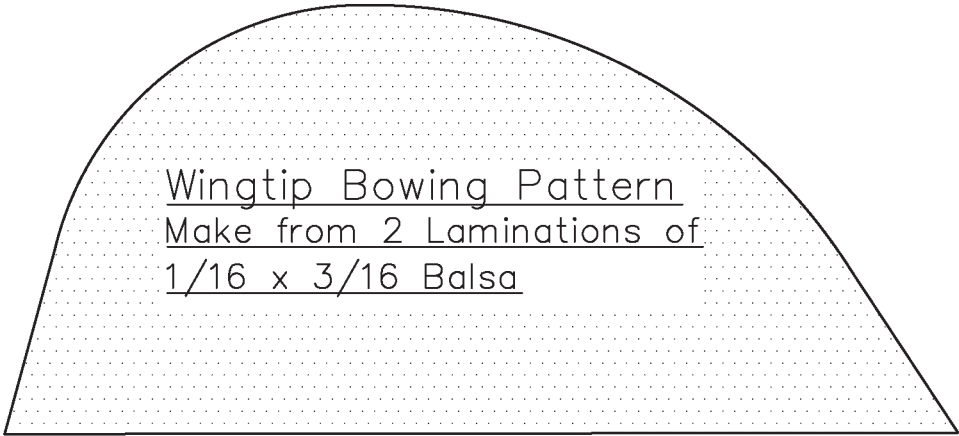
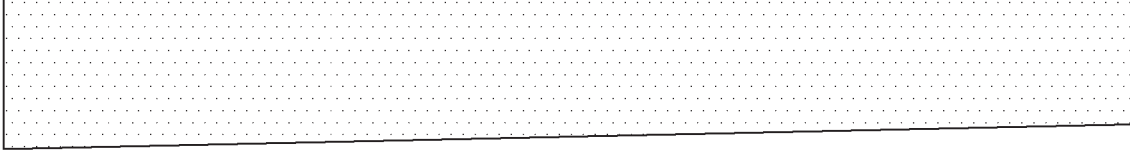
N2



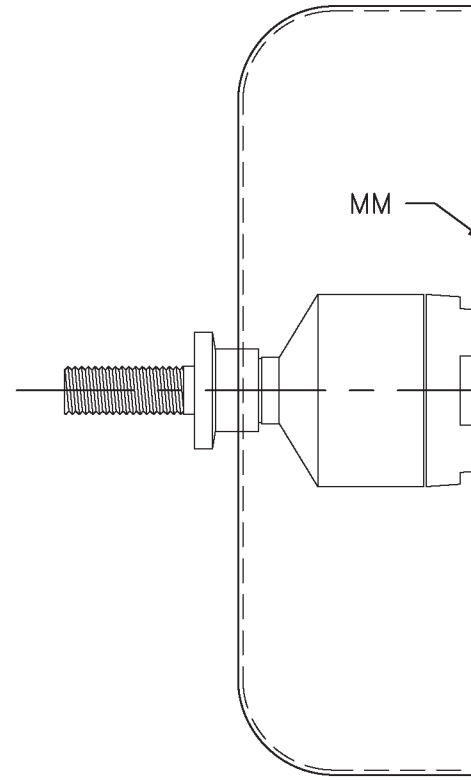
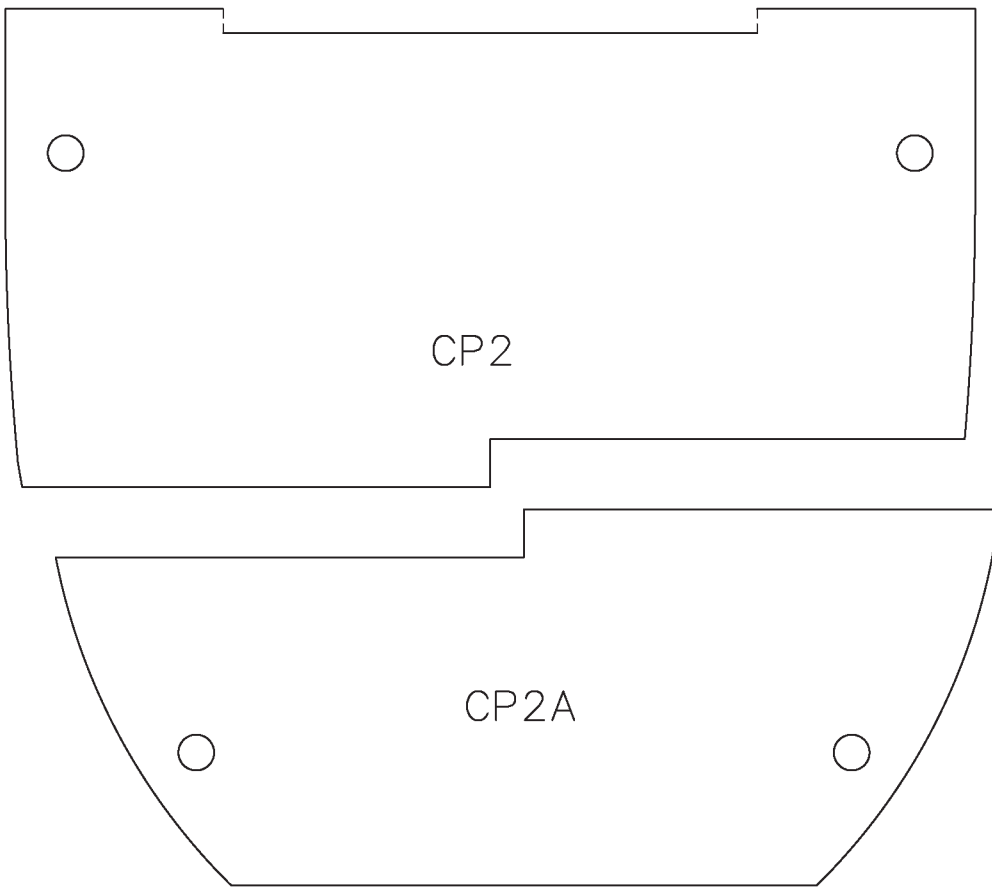


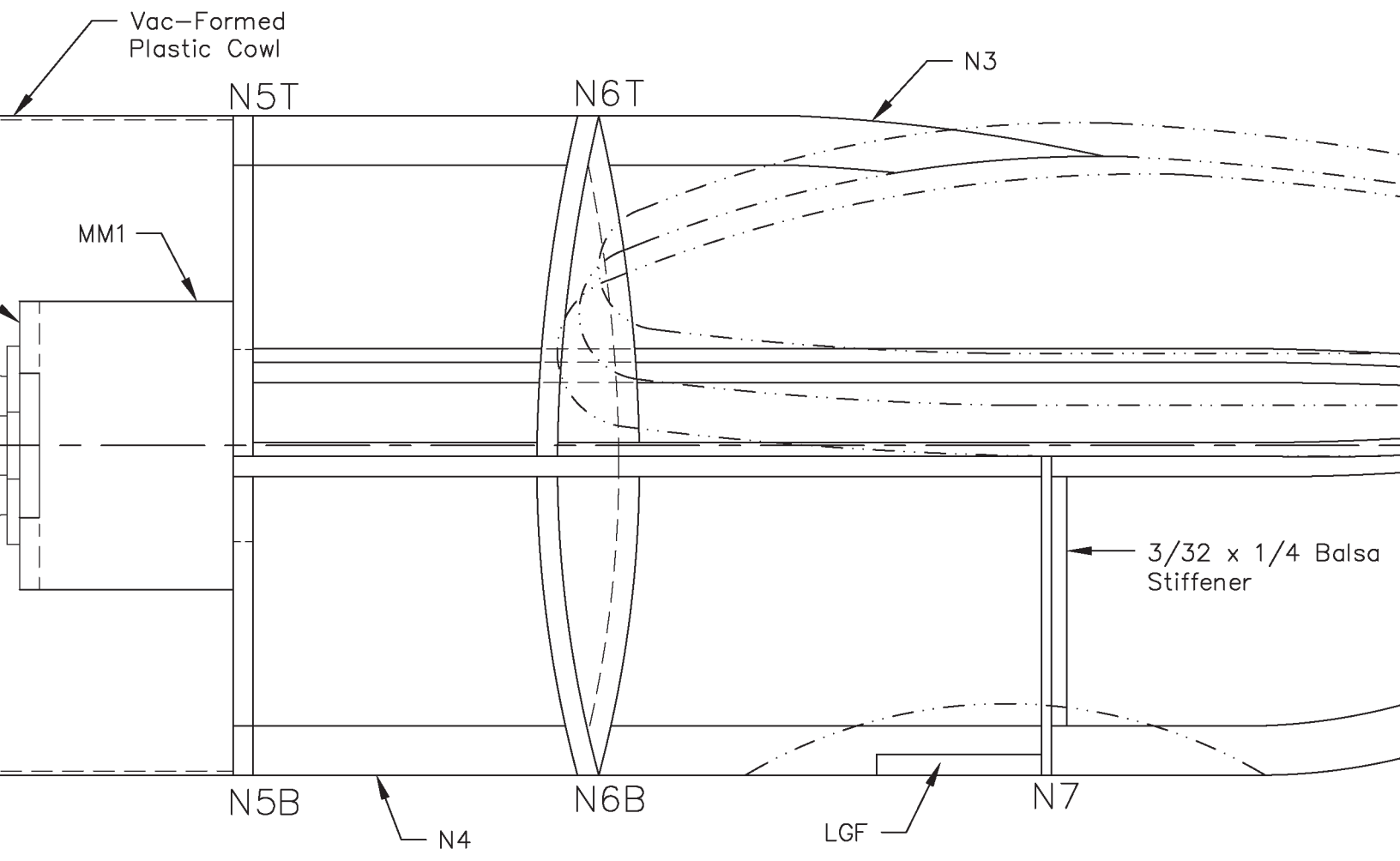
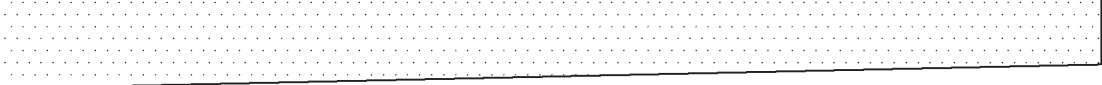






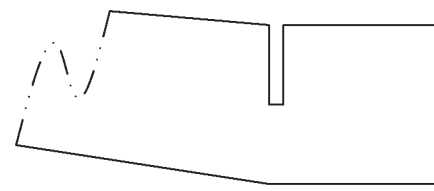
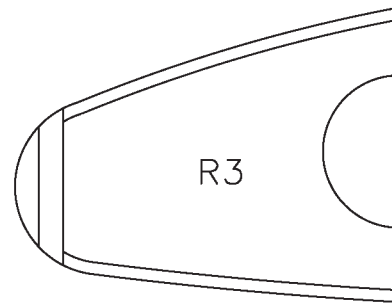
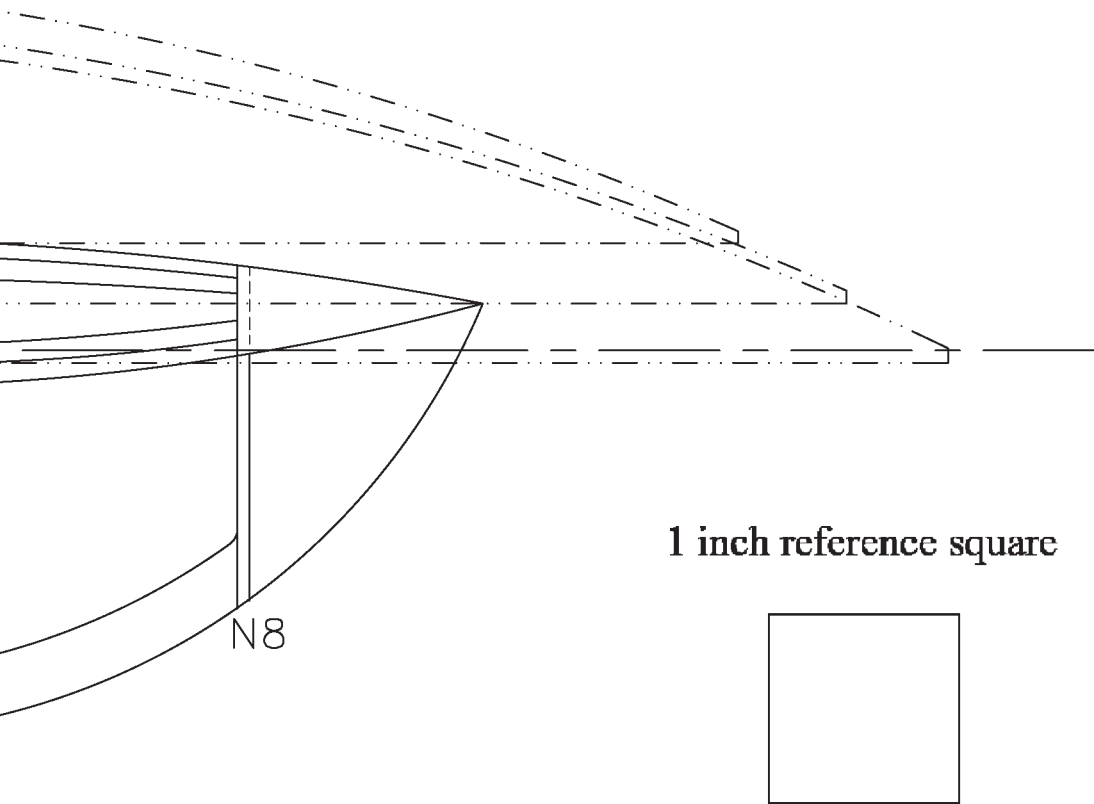
Canopy Hatch Cutting Patterns
Make from 1/8 Balsa

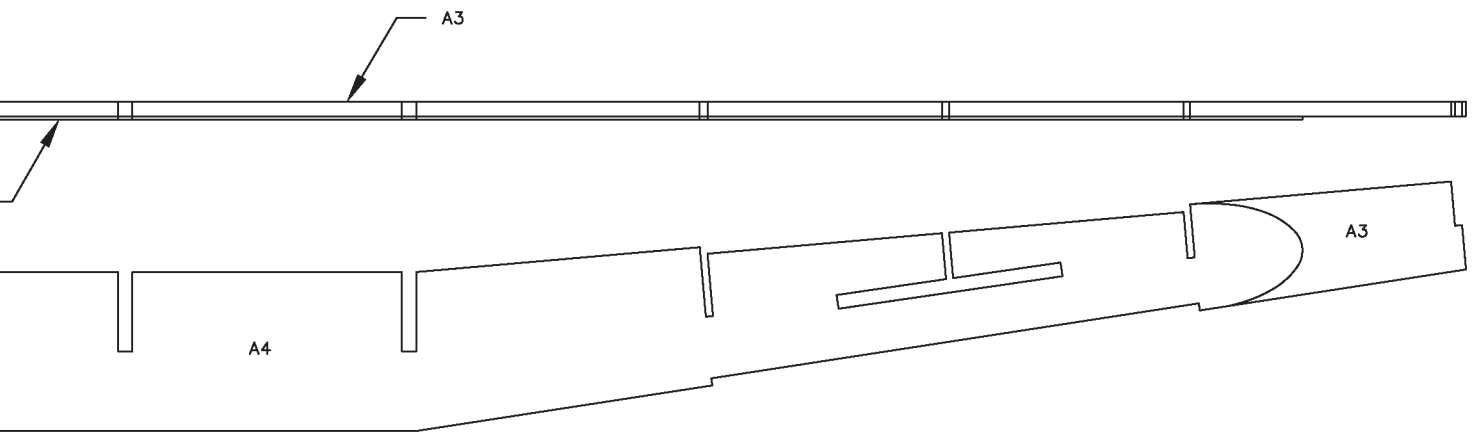
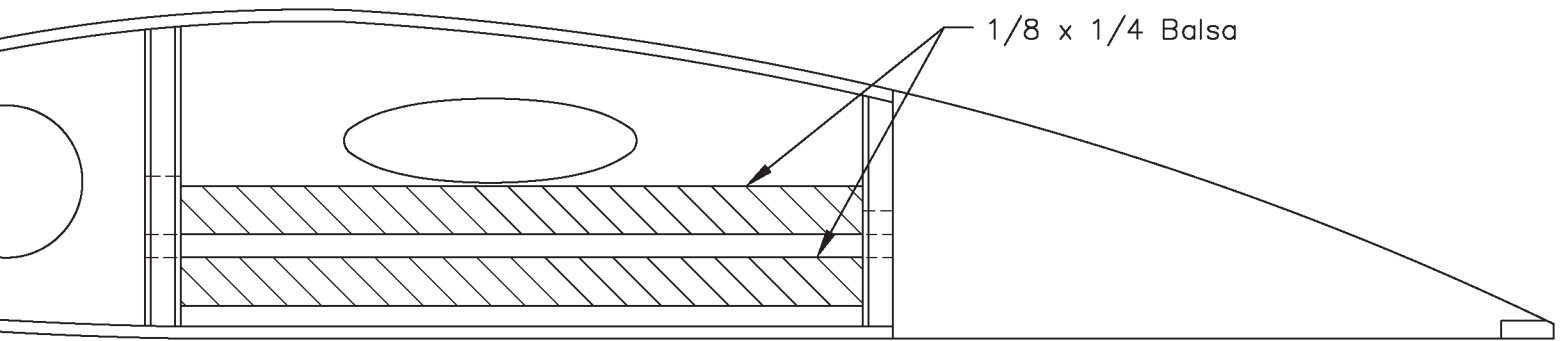




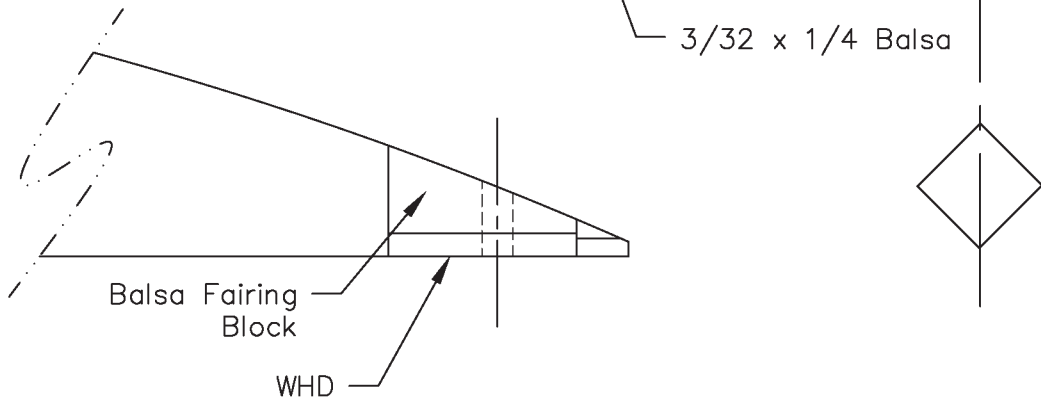


Copying for resale of this drawing without the written approval or consent of AMA is expressly prohibited.





Rear Spar Assembly Drawing
If Laser Cut Parts are Used
Shown at 60% Scale



Plan No. 1125

Beech AT-10 Wichita

Span: 50"	Area 377 Sq. In.
-----------	------------------

Length: 36 1/2"

Flying Weight: 33 Oz.

Wing Ldg: 13.3 Oz./ Sq. Ft.

Designed by: Pat Tritle

Sheet 2 of 3 © 5/15/2020
