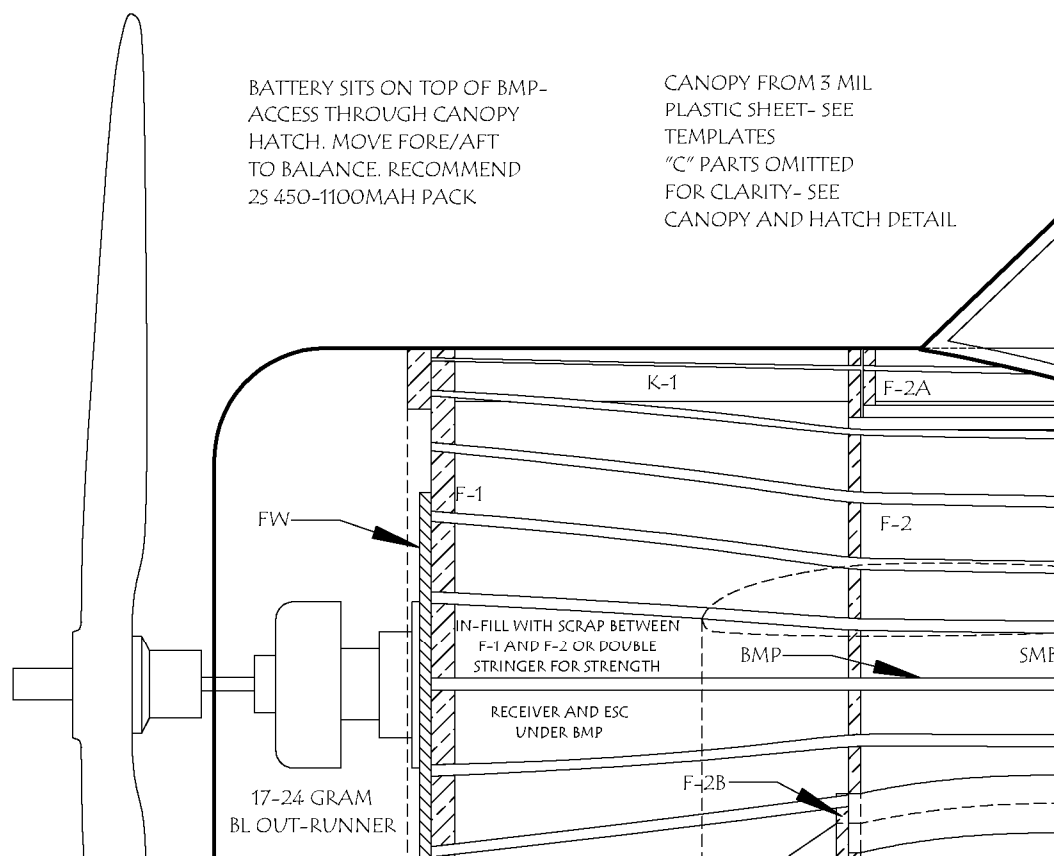
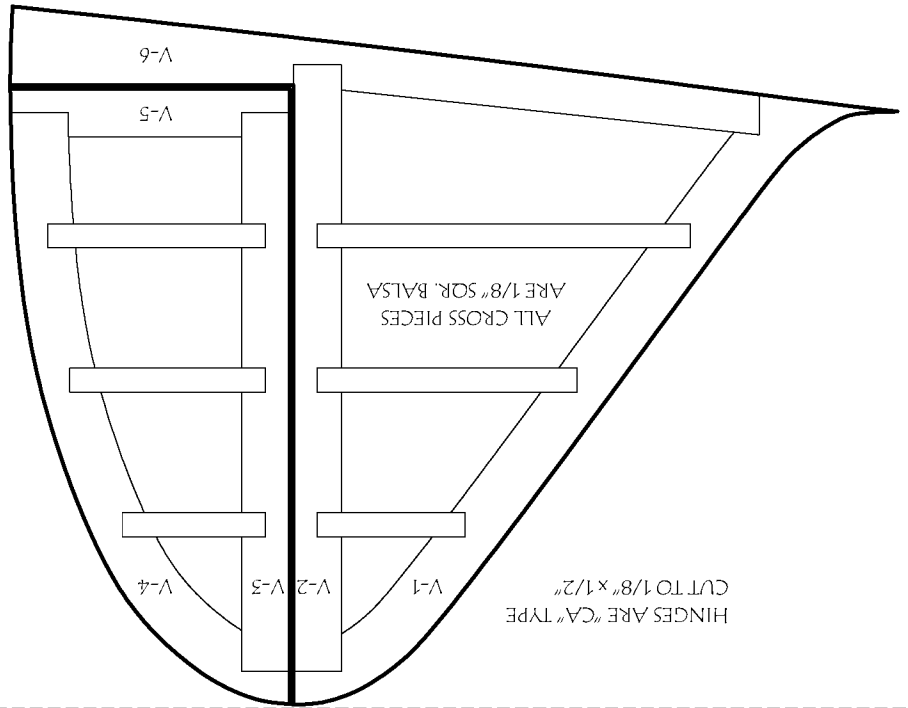
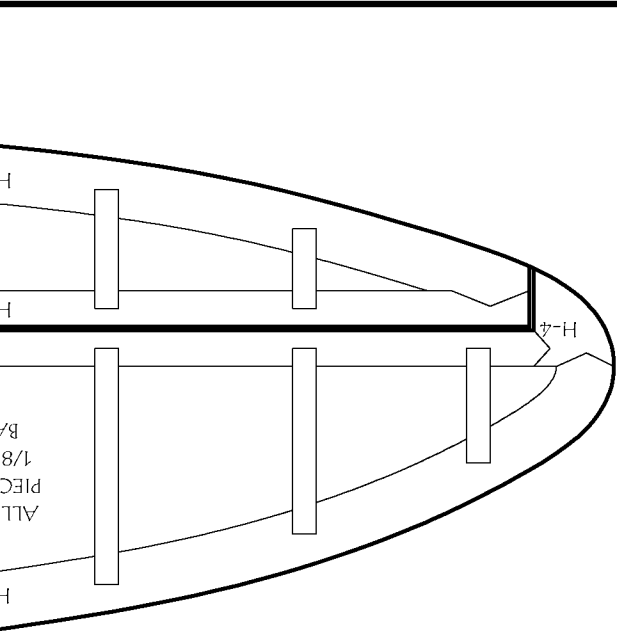


BATTERY SITS ON TOP OF BMP-
 ACCESS THROUGH CANOPY
 HATCH. MOVE FORE/AFT
 TO BALANCE. RECOMMEND
 2S 450-1100MAH PACK

CANOPY FROM 3 MIL
 PLASTIC SHEET- SEE
 TEMPLATES
 "C" PARTS OMITTED
 FOR CLARITY- SEE
 CANOPY AND HATCH DETAIL

TRUST
 LINE

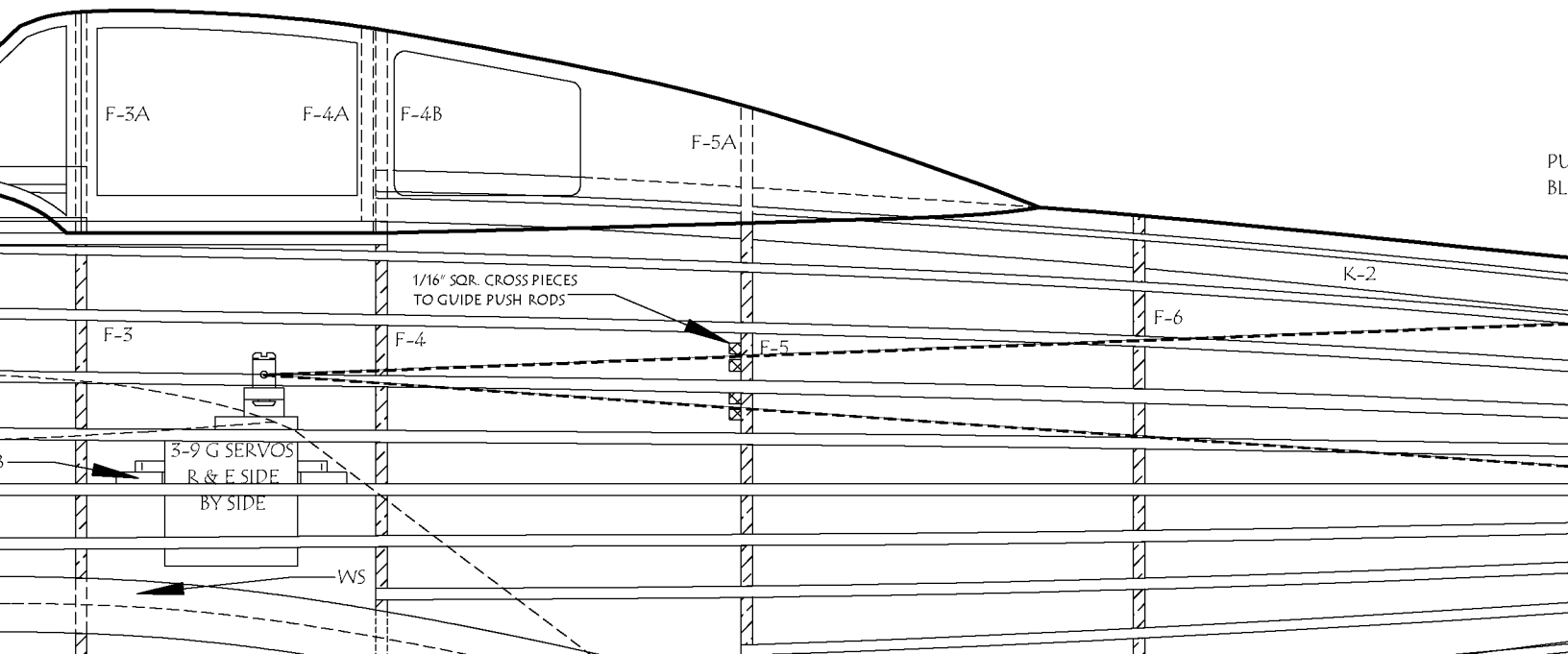




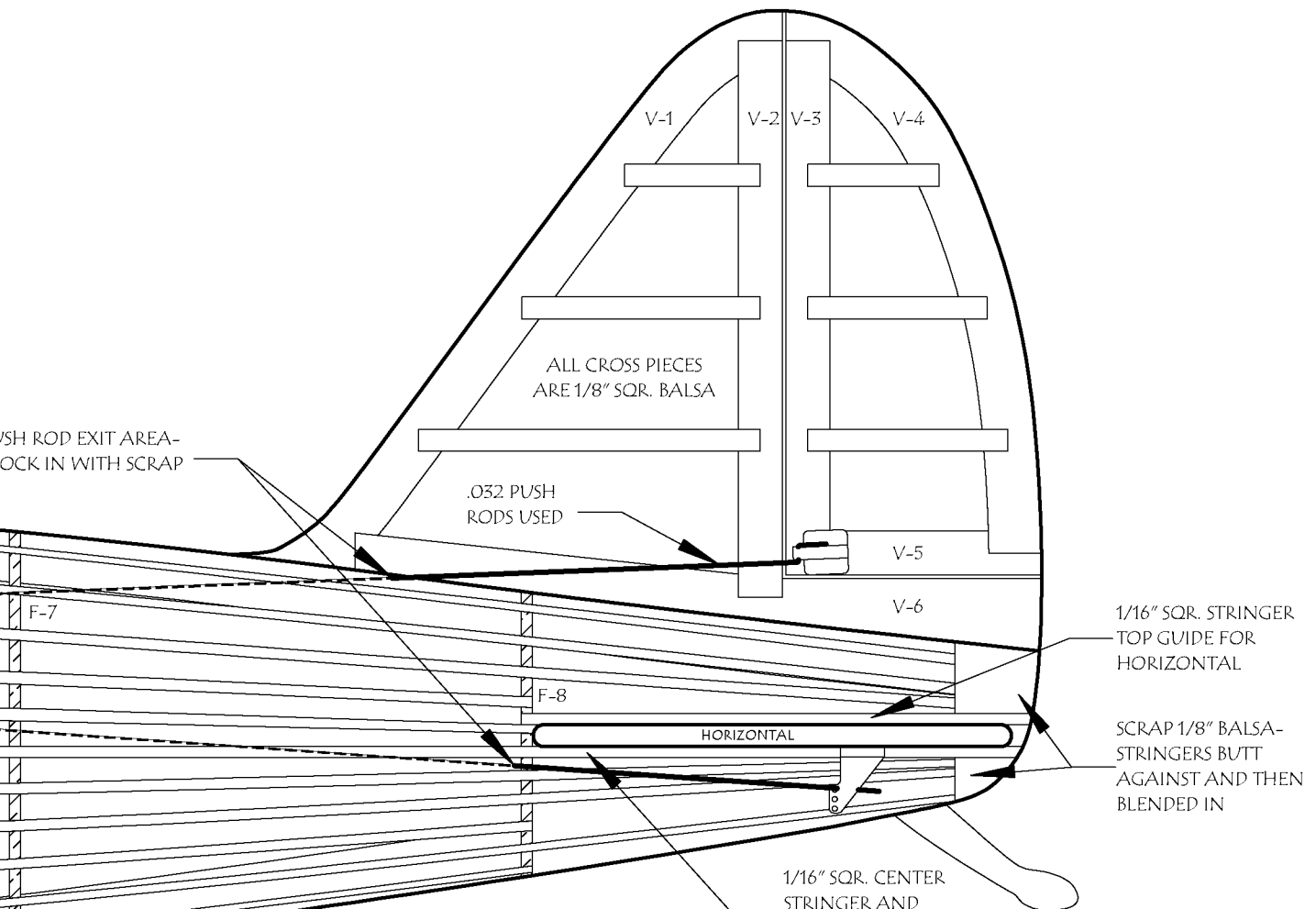
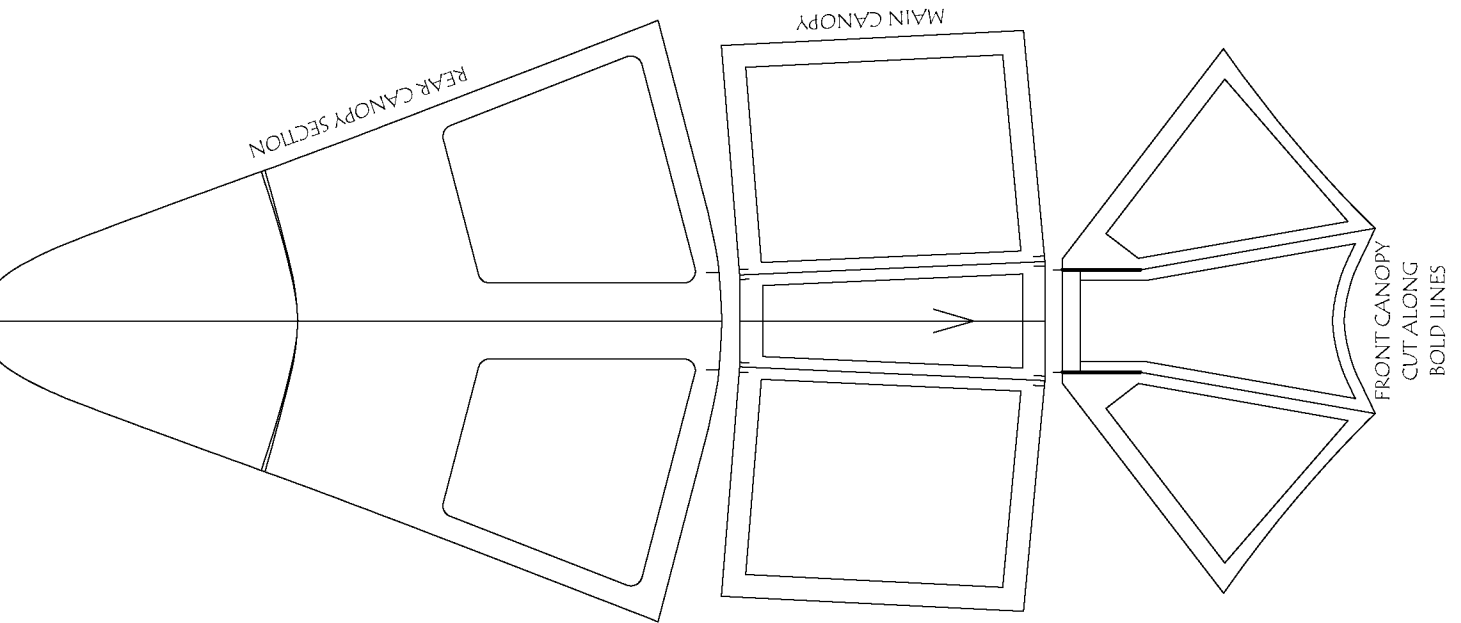
PLANS CAN BE CUT ALONG THE SEGMENTED LINES FOR EASIER CONSTRUCTION

ADD F-3A, F-4A/B, AND F-5A
AFTER FUSE IS COMPLETE

ALL STRINGERS ARE
MEDIUM 1/16" SQR. BALS



CANOPY TEMPLATES FROM CARPSTOCK - BACK WITH 3 MIL CLEAR SHEET



7" PROP

CR

K-5

CG

PARKFLYER PLASTICS
3.5" COWL: CW 3.5 -A
TRIMMED TO FIT DEPTH

1.5" WHEELS

Copyright 2021

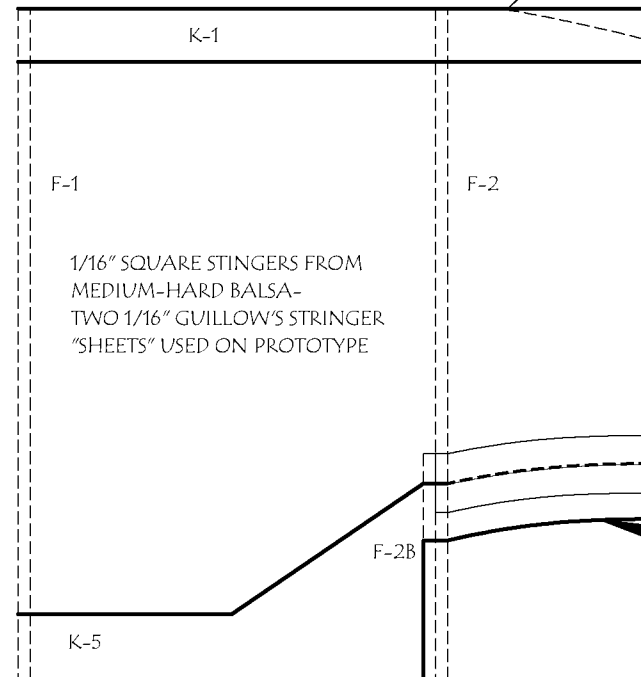


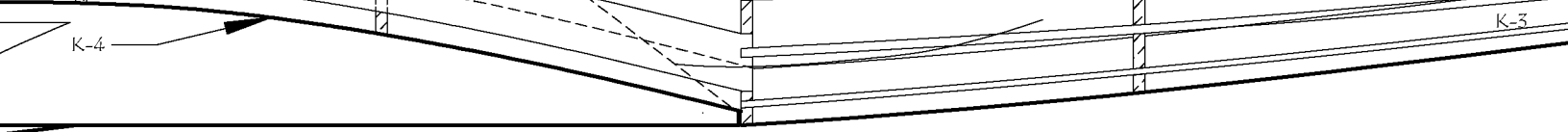
and **ModelAviation**

Copying for resale of this drawing without the written approval or consent of AMA is expressly prohibited.

FUSELAGE CONSTRUCTION

1. PIN ALL THE "K" PARTS ON THE BOARD AND GLUE TOGETHER
2. GLUE FORMERS F-1 TO F-8 IN PLACE (F-2B TO THE FRONT OF F-2)- USE 90 DEGREE TRIANGLE TO ENSURE VERTICAL
3. ADD THE 1/16" SQR. STRINGER FOR THE TOP HORIZONTAL GUIDE, THEN ADD THE CENTER STRINGER- THIS IS ALSO THE BOTTOM MOUNT FOR THE HORIZONTAL.
4. GLUE ALL THE REMAINING STRINGERS IN PLACE EXCEPT TOP THE TOP ONE (THIS WILL BE ADDED LATER)- STRINGERS WILL NEED TO BE "CRACKED" AT F-2 TO FIT F-1- DROP EXTRA GLUE IN CRACK ONCE IN PLACE.
5. GLUE "WS" TO F-2 TO F-4- DO NOT GLUE TO F-5 AT THIS TIME
6. GLUE THE TWO "SMBs" TO "BMP" AND MOUNT SERVOS
7. REMOVE FUSE HALF FROM BOARD AND STAND UPRIGHT ON TABLE
8. SLIDE BMP ASSEMBLY IN PLACE- USE TO TO ALIGN FUSE AND ADD THE OTHER HALF OF F-1
9. REMOVE FROM TABLE AND ADD OTHER FORMER HALVES AND STRINGERS (LEAVE BOTTOM 4 STRINGERS OFF BETWEEN F-1 AND F-2 TO ALLOW FOR RADIO INSTALLATION- ONCE THIS IS INSTALLED, ADD THE REMAINING STRINGERS)
10. WET REAR OF WS (IF NEEDED) AND GLUE TO F-5



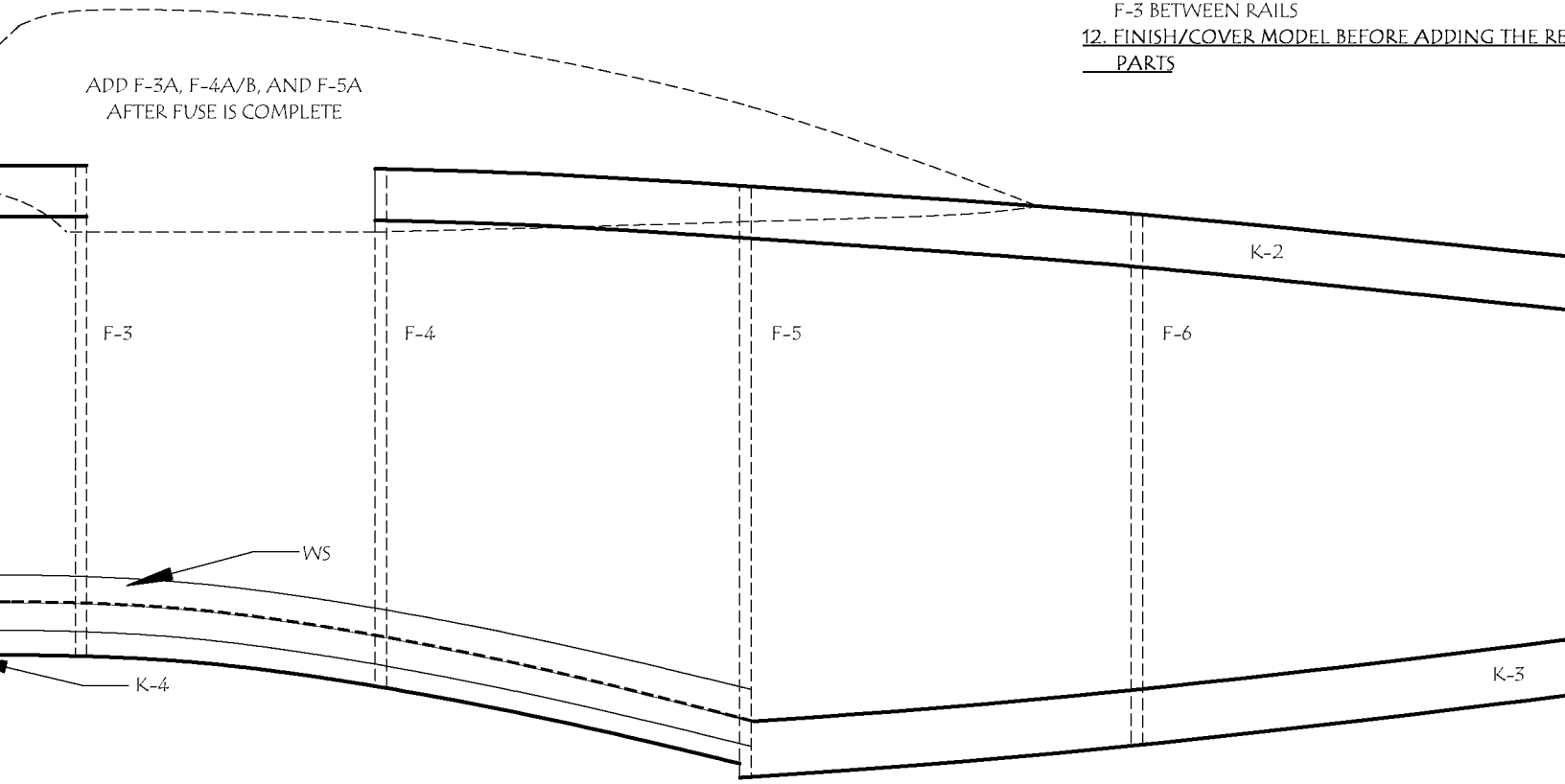


BELLY-PAN FROM
CARDSTOCK- SEE
TEMPLATES

BATTERY MOUNTING PLATE (BMP) IS SLID INTO
PLACE ONCE FUSE HAVES ARE GLUED TOGETHER.
IT GOES THROUGH F-1 AND SITS ON FLAT SECTION
OF F-2 TO F-4. ADDED FW AFTERWARDS

HATCH INSTRUCTIONS

1. GLUE 1/16" x 1/8" MAGNETS INTO F-2 AND F-4A
2. ADD 1/32" SHIM TO THE FACE OF F-2A
3. ONCE BOTH HALVES OF FORMERS ARE ADDED TO
FUSE, PIN F-2A IN PLACE- ADD TOP STRINGERS
4. CUT FOUR (4) 1/16" x 1/4" Balsa TO LENGTH
FOR THE HATCH RAILS
5. PRE-BEVEL OUTER EDGES TO MATCH FUSE CONT
6. SLIDE LOWER RAILS IN PLACE AND CAREFULLY C
7. ADD CLEAR TAPE ON TOP OF LOWER RAIL BELOW
UNDER F-3A, AND F4A
8. SLIDE UPPER HATCH RAIL IN PLACE
9. SET F-4A IN PLACE BUT DO NOT GLUE- CUT TO W
1/16" SQR. STRINGER AND SET IN PLACE IN FRON
10. REMOVE F-4A AND GLUE STRINGER IN PLACE- C
TOP RAIL IN PLACE
11. CUT HATCH FREE AT F-2/F-2A THROUGH K-1, A
F-3 BETWEEN RAILS
12. FINISH/COVER MODEL BEFORE ADDING THE RE
PARTS

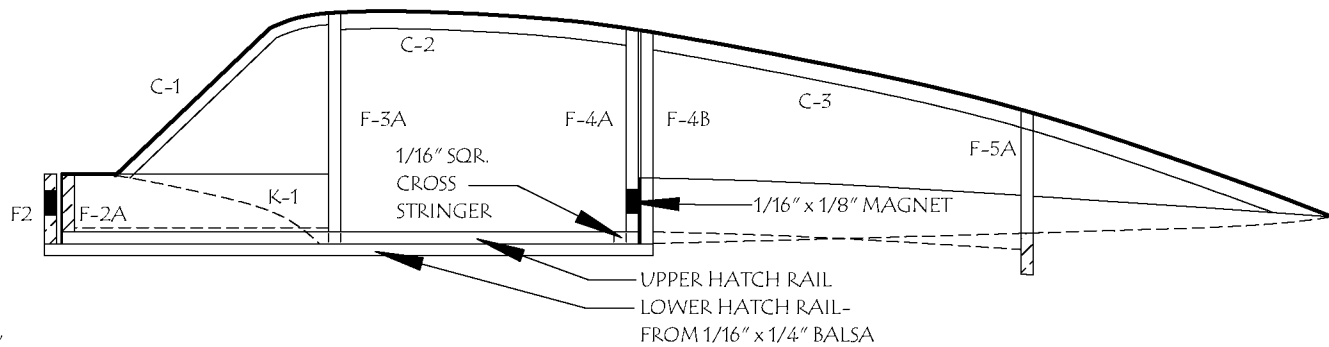


ADD F-3A, F-4A/B, AND F-5A
AFTER FUSE IS COMPLETE



BOTTOM GUIDE
FOR HORIZONTAL

CANOPY FROM CLEAR FILM
OR LIGHTWEIGHT PLASTIC



CANOPY INSTRUCTIONS

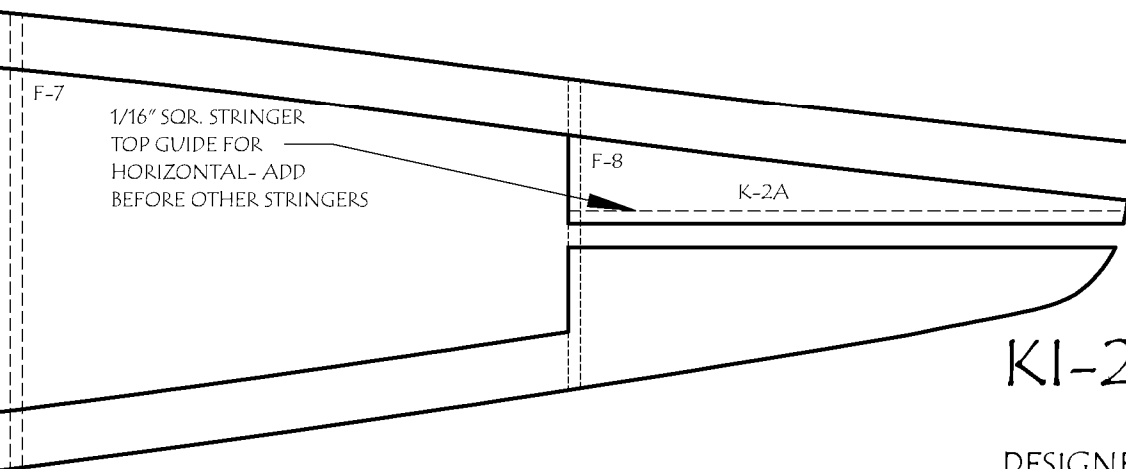
1. ONCE FUSE/HATCH COVERED, ADD .008" STEEL SHEET TO THE FACE OF F-2A AND F-4 (THICK LINE ON PLANS)
2. CAREFULLY BEND THE TOP OF C-1 TO MATCH THE PLANS (SOAKING IN WARM WATER AND AMMONIA WILL HELP WITH BENDING TO SHAPE)
3. WITH HATCH REMOVED AND ON A FLAT SURFACE, USE THE 90 DEGREE TRIANGLE AND GLUE F-3A AND F-4A IN PLACE
4. SAND THE UNDERSIDE OF C-1 TO BETTER FIT THE CURVE OF THE HATCH AND GLUE IN PLACE AT THE BOTTOM AND THE TOP TO F-3A
5. SET C-2 IN PLACE- SAND NOTCHES AS NEEDED TO KEEP F-4A 90 DEGREES- GLUE IN PLACE
6. TEST FIT HATCH BACK IN THE FUSE- USING THICK PAPER BEHIND F-4A FOR SPACING, GLUE F-4B ON TOP OF F-4- SAME FOR F-5A- THEN ADD C-3

OUR
GLUE
W F-2A,

WIDTH A
T OF F-4A
CAREFULLY GLUE

ND THROUGH

MAINING CANOPY



KI-27 NATE

DESIGNED BY DEREK MICKO
30" WINGSPAN
6-9 OUNCES
CHANNELS: 4
MOTOR: 18-24 GRAM
ALL RIGHTS RESERVED
Sheet 1 of 2 Plan No. 1127

