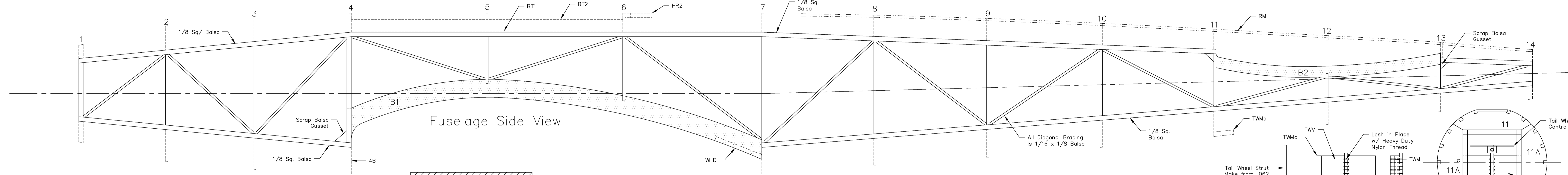
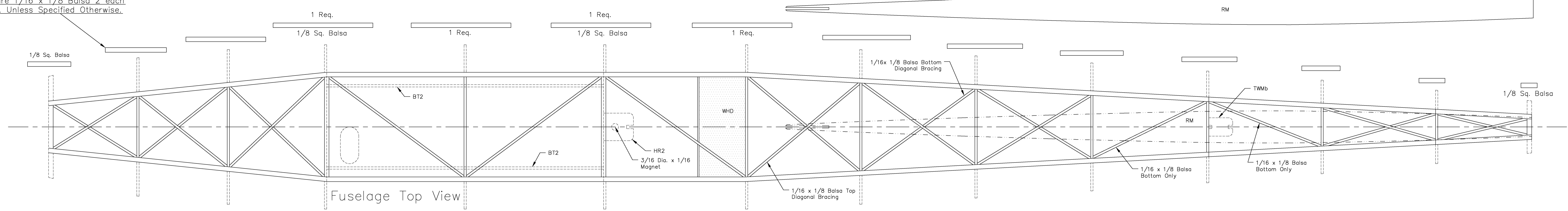
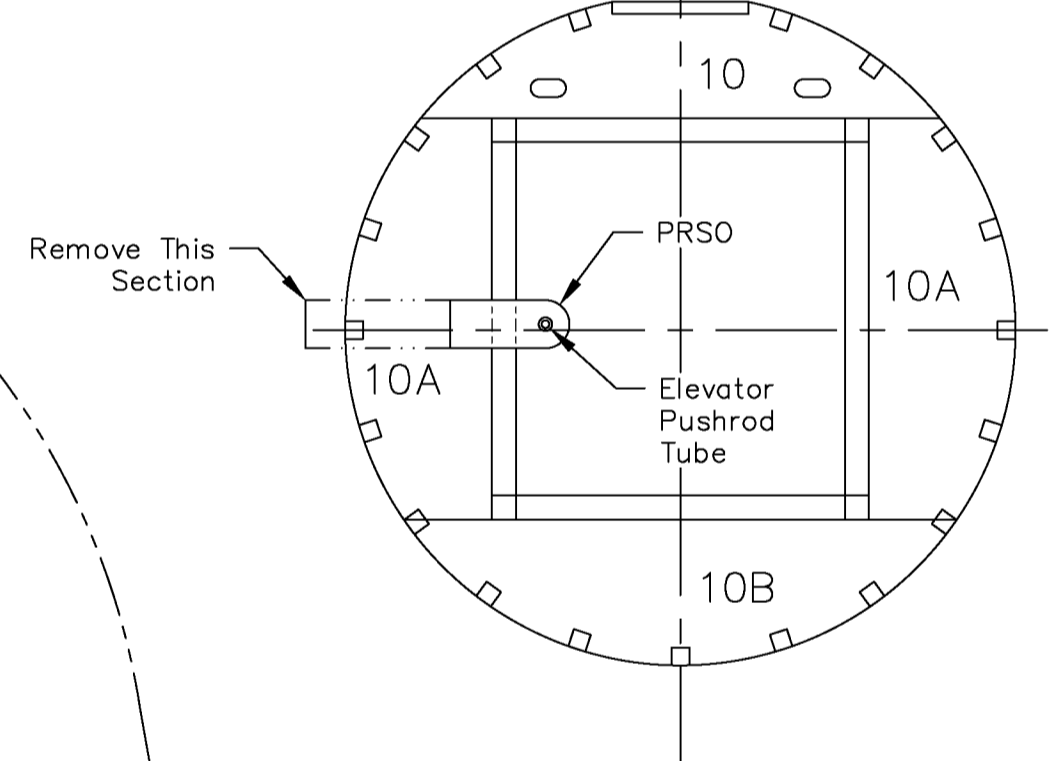
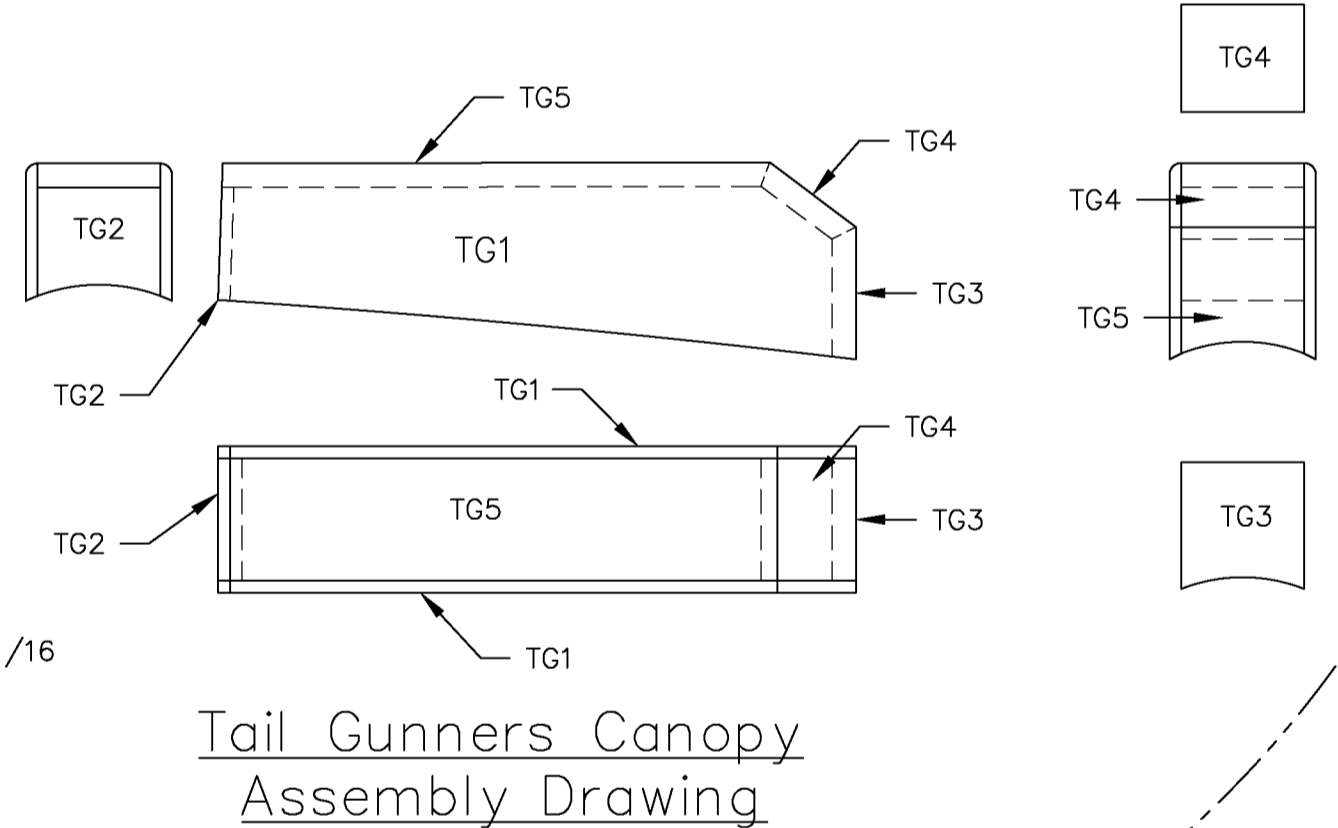
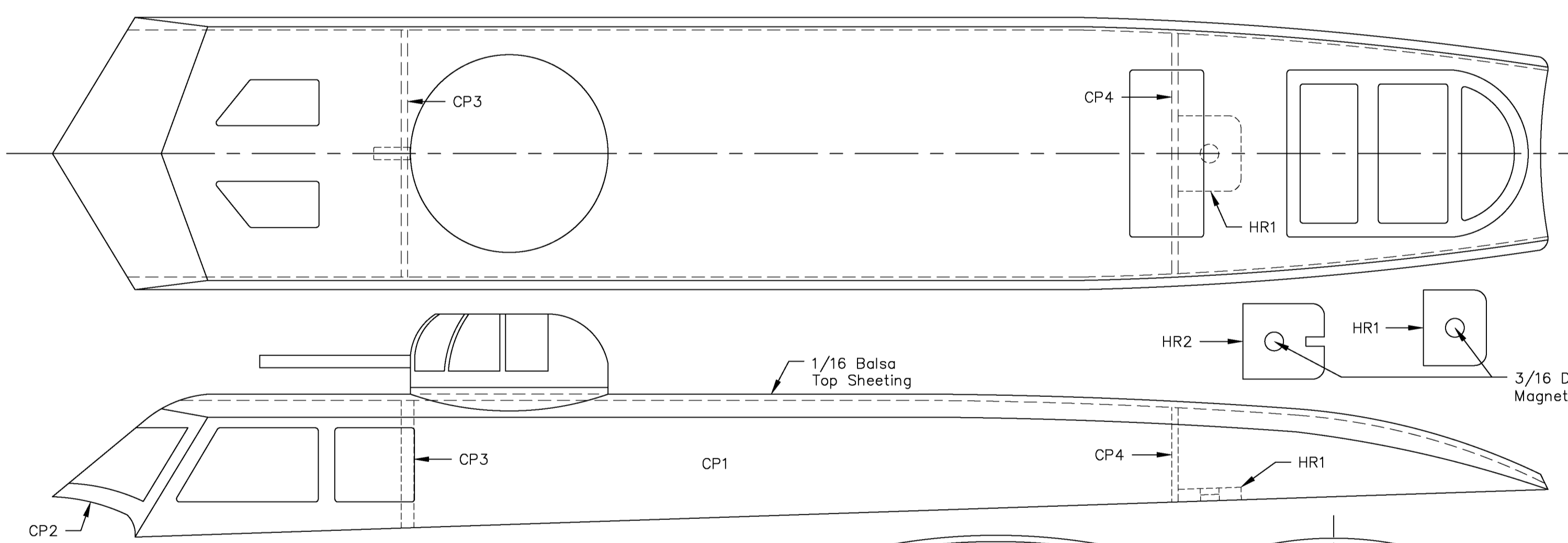
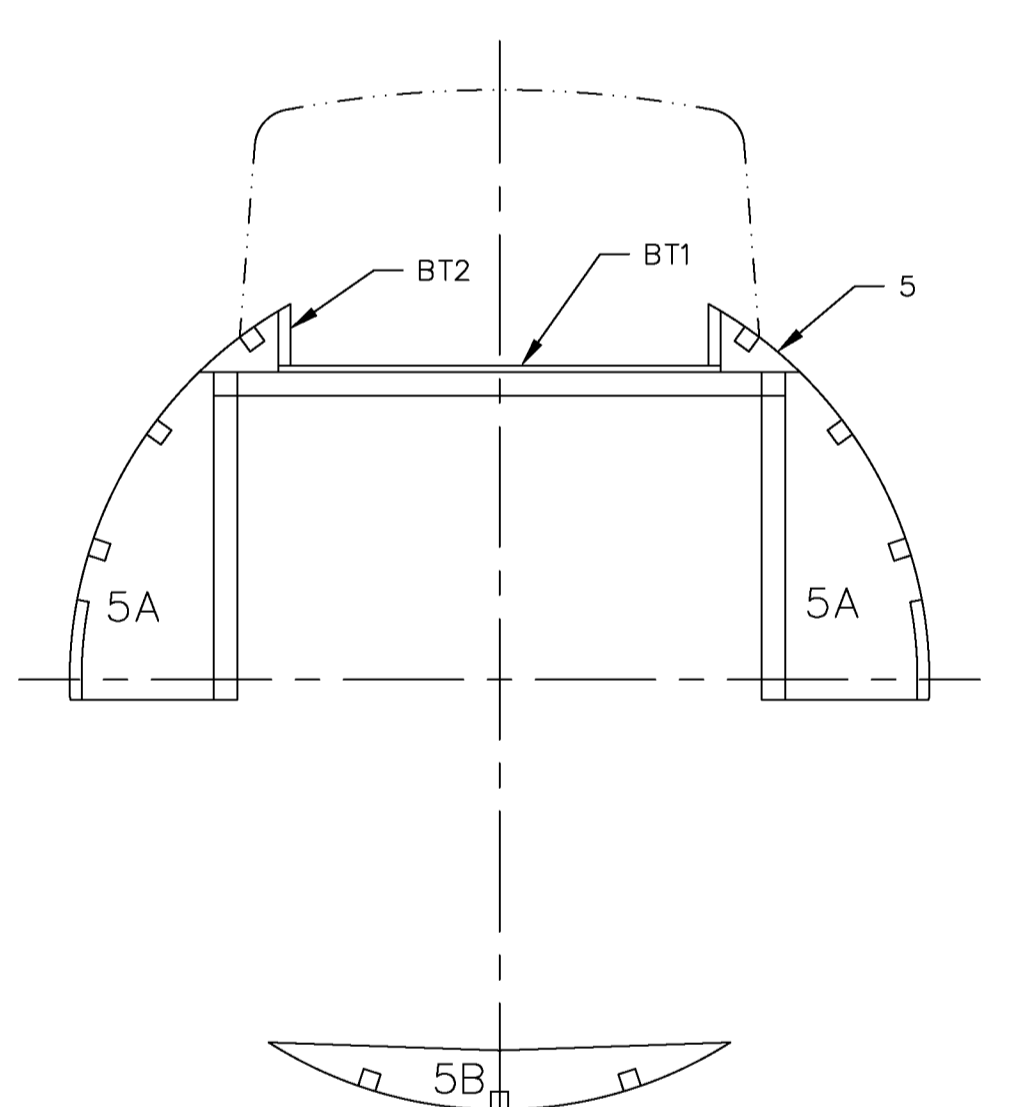
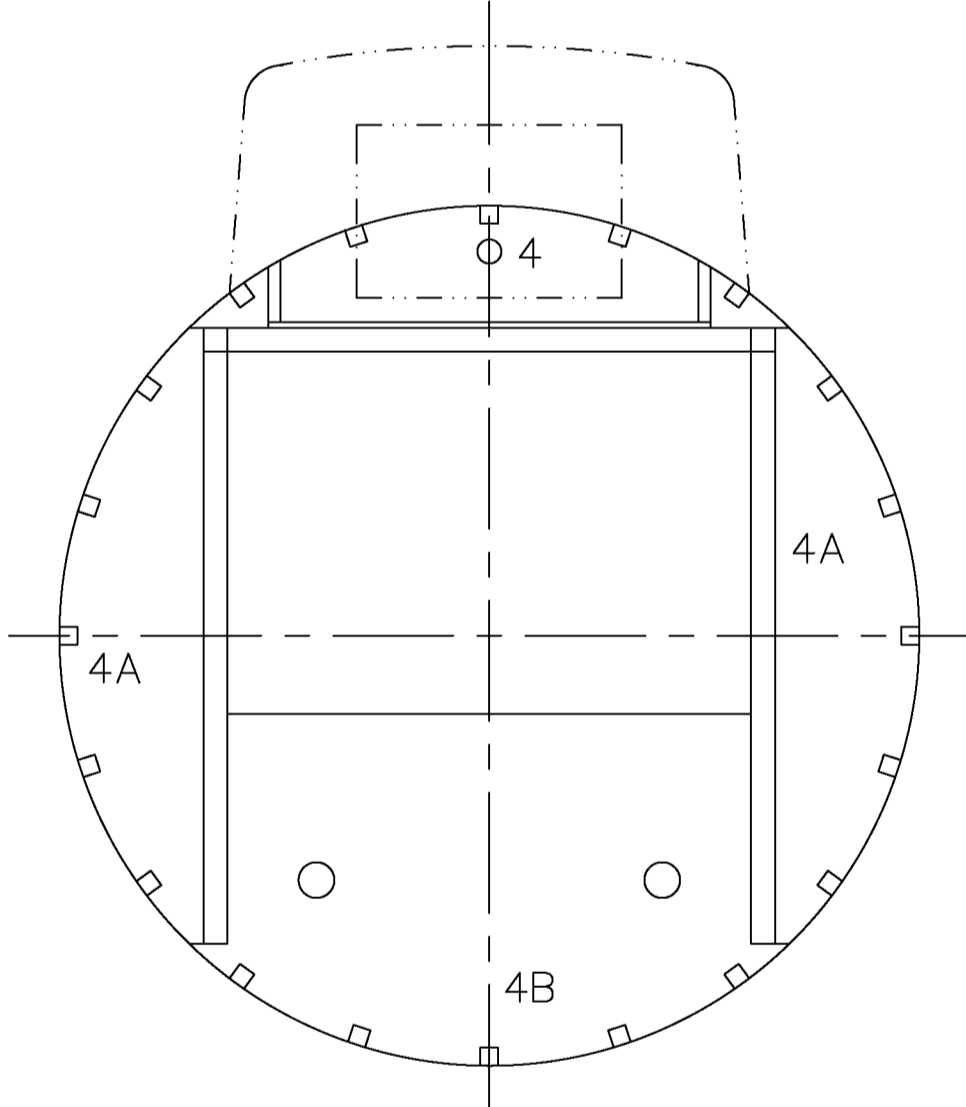
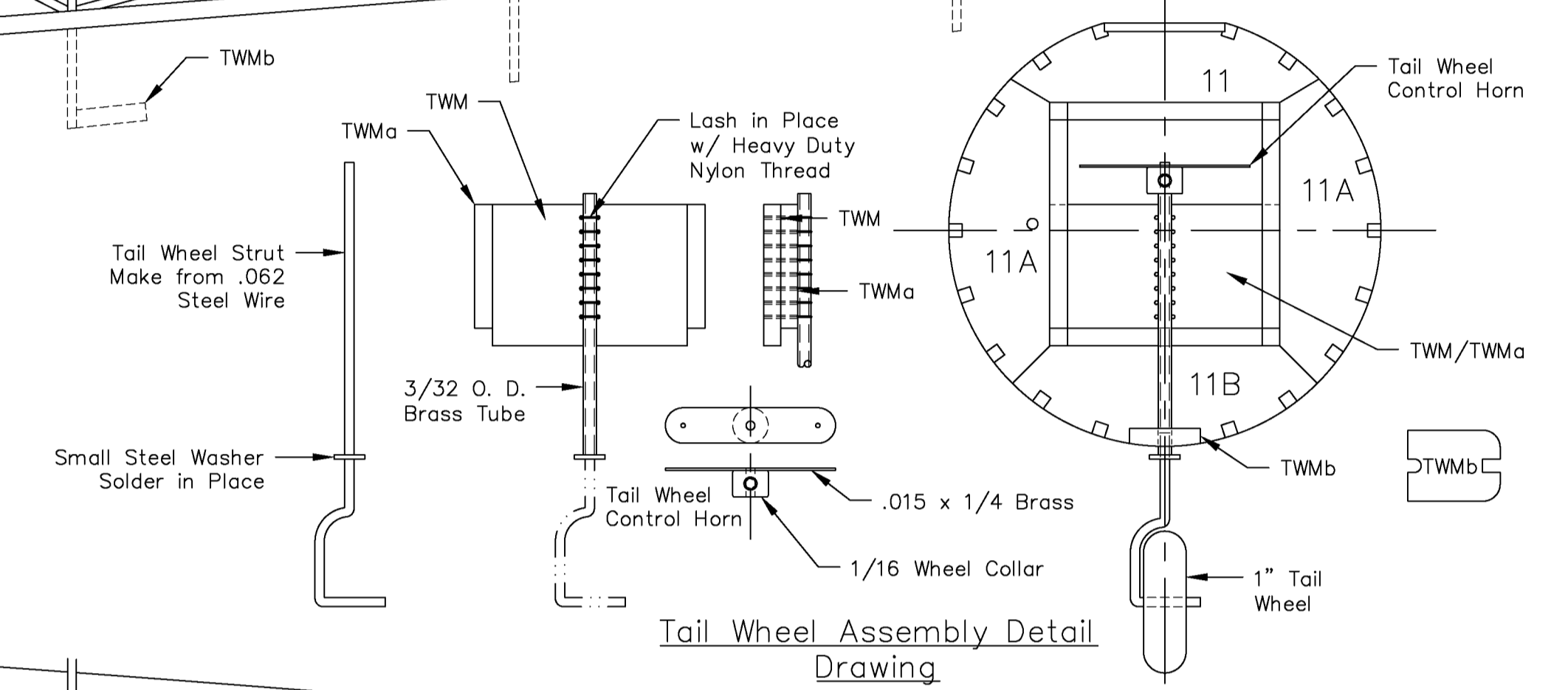
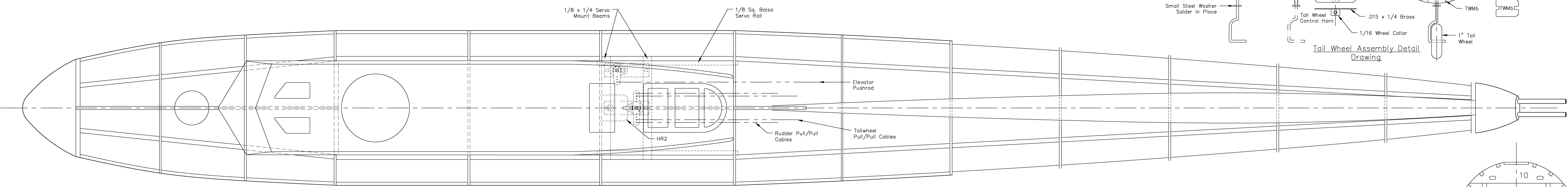


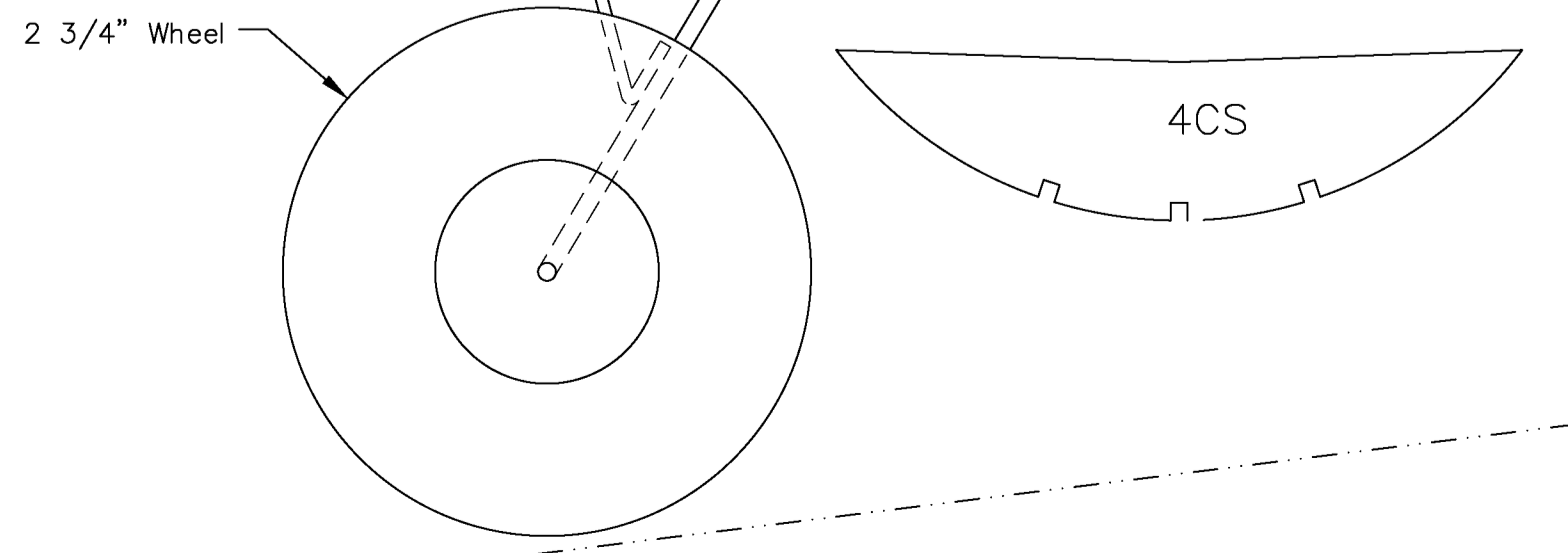
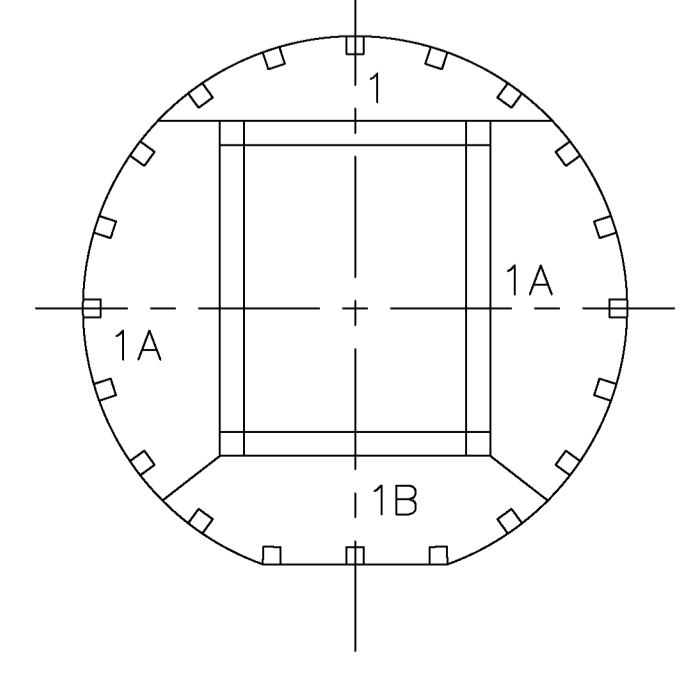
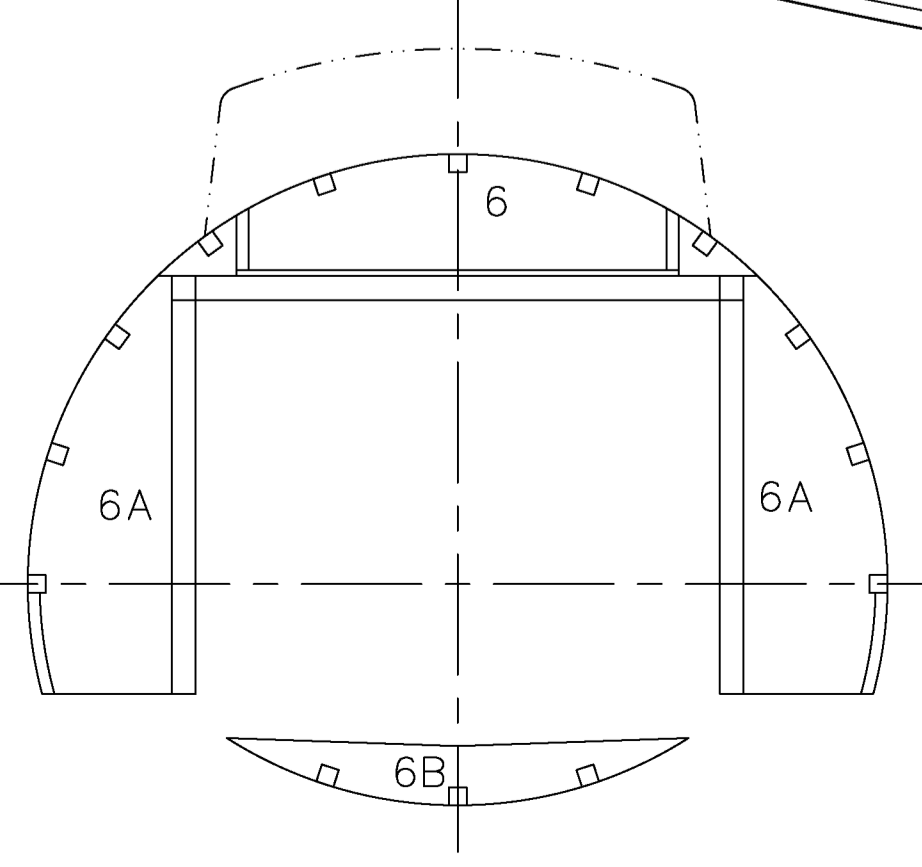
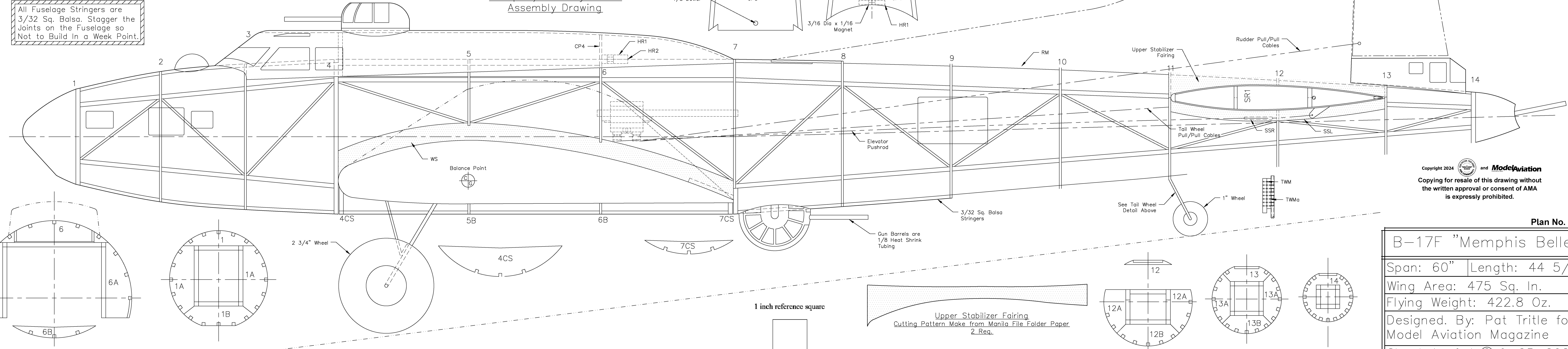
Patterns for Fuselage Cross Pieces.  
All are 1/16 x 1/8 Balsa 2 each  
Req. Unless Specified Otherwise.



Note: All Fuselage Stringers are made from 3/32 Sq. Balsa

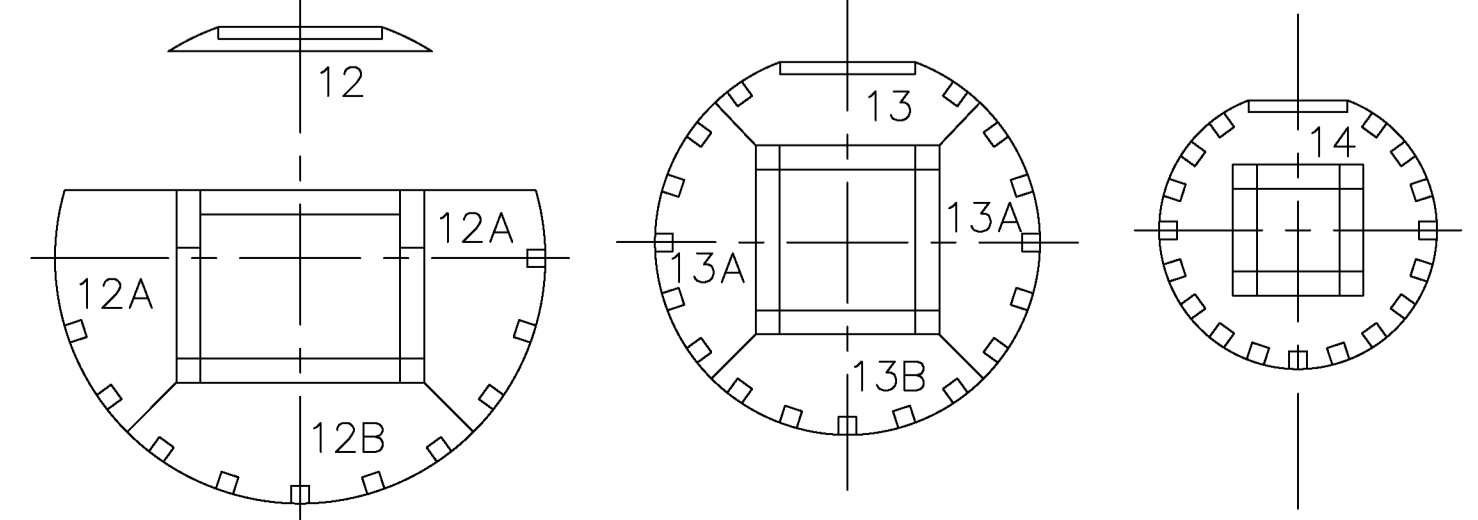


All Fuselage Stringers are 3/32 Sq. Balsa. Stagger the Joints on the Fuselage so Not to Build in a Weak Point



1 inch reference square

Upper Stabilizer Fairing  
Cutting Pattern Make from Manila File Folder Paper  
2 Req.



Copyright 2024 and Model Aviation  
Copying for resale of this drawing without the written approval or consent of AMA is expressly prohibited.

Plan No. 1141

B-17F "Memphis Belle"	
Span: 60"	Length: 44 5/8"
Wing Area: 475 Sq. In.	
Flying Weight: 422.8 Oz.	
Designed By: Pat Tritle for Model Aviation Magazine	
Sheet 1 of 4 © 9-25-2023	