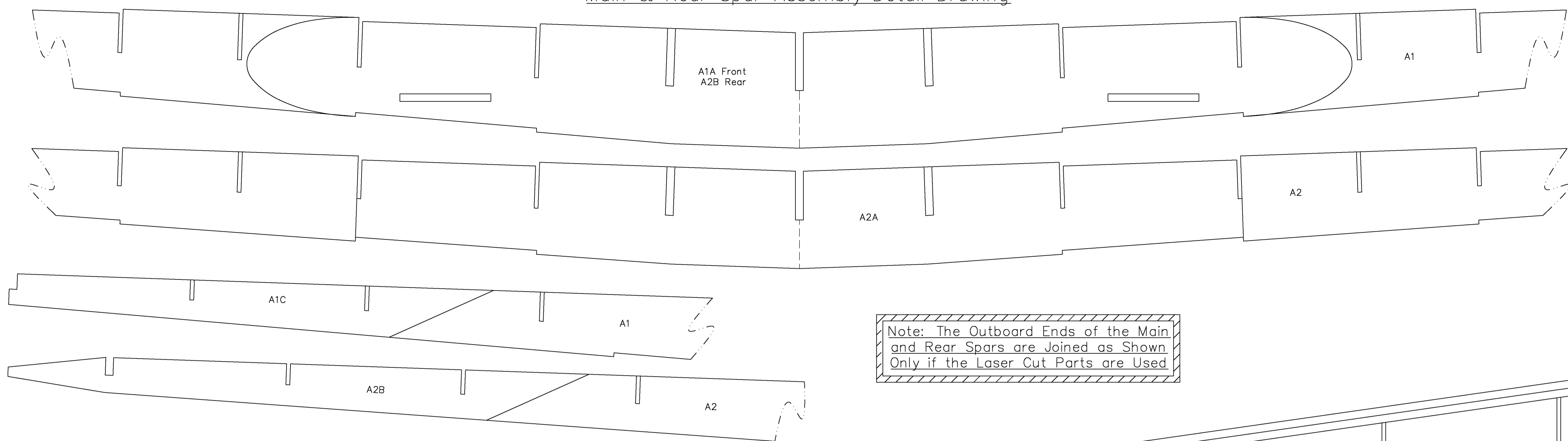


Main & Rear Spar Assembly Detail Drawing

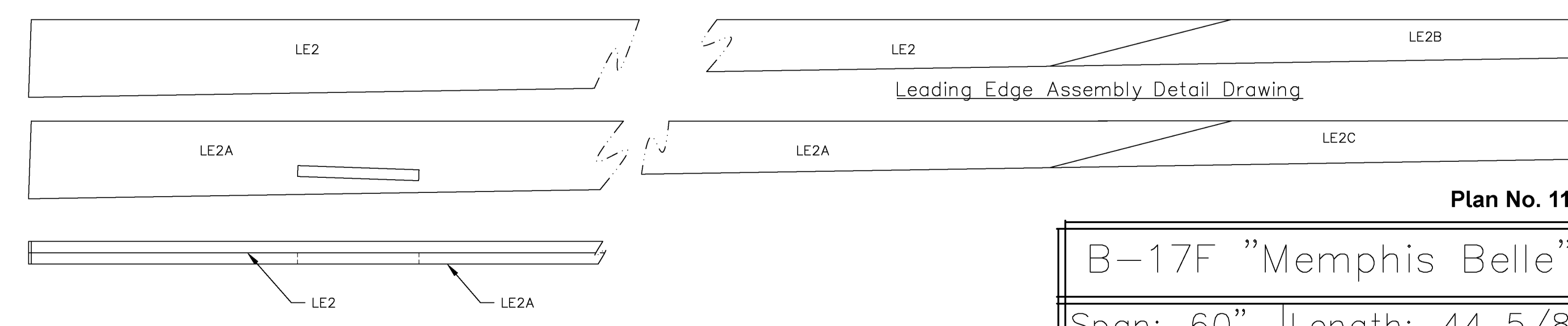
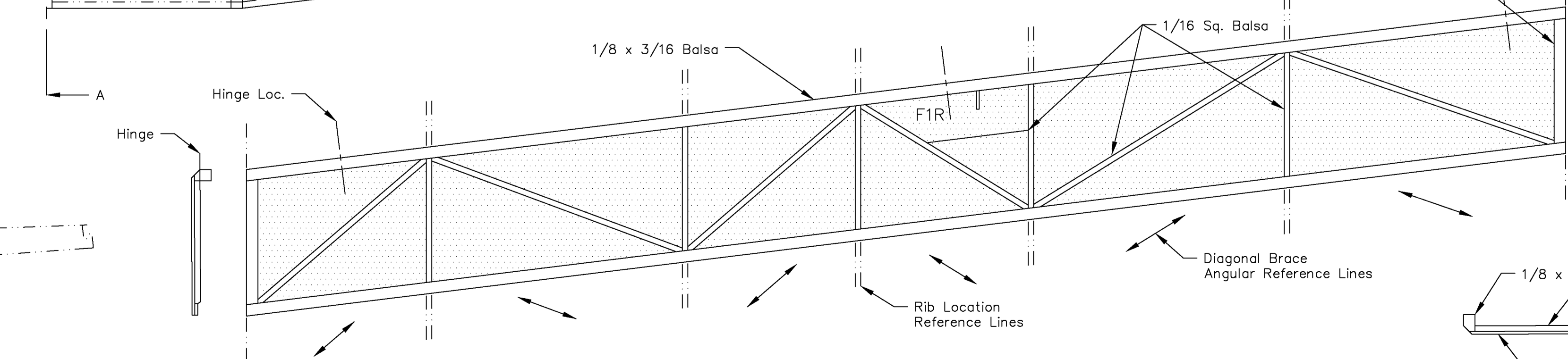
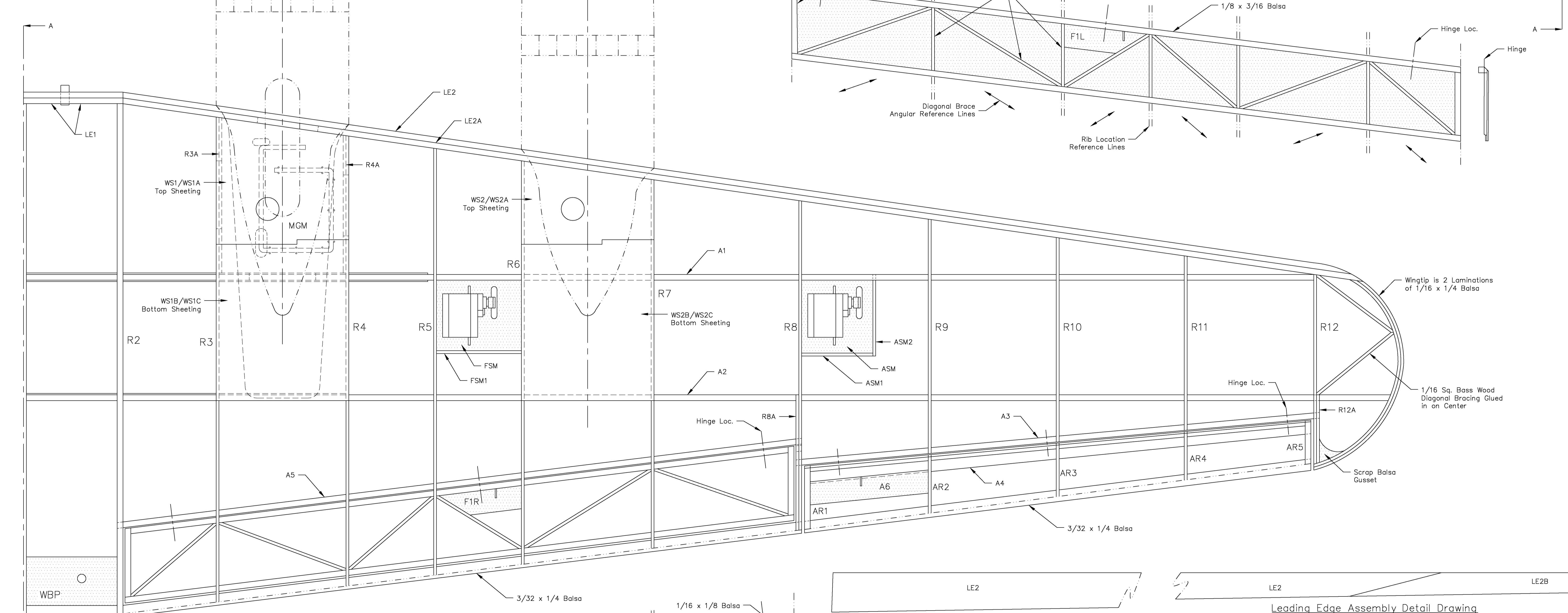
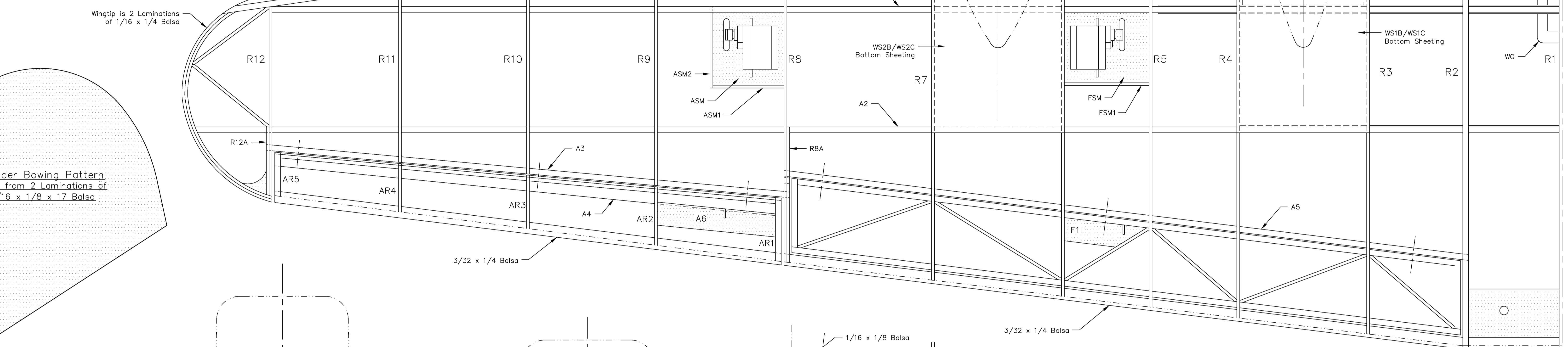
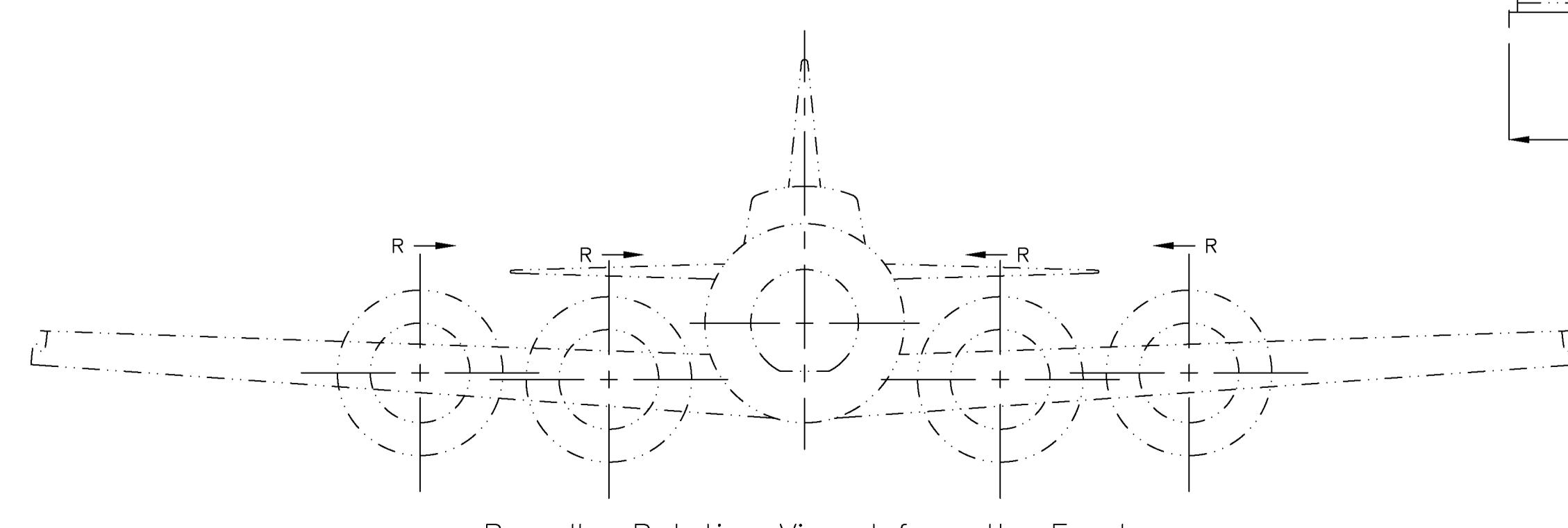
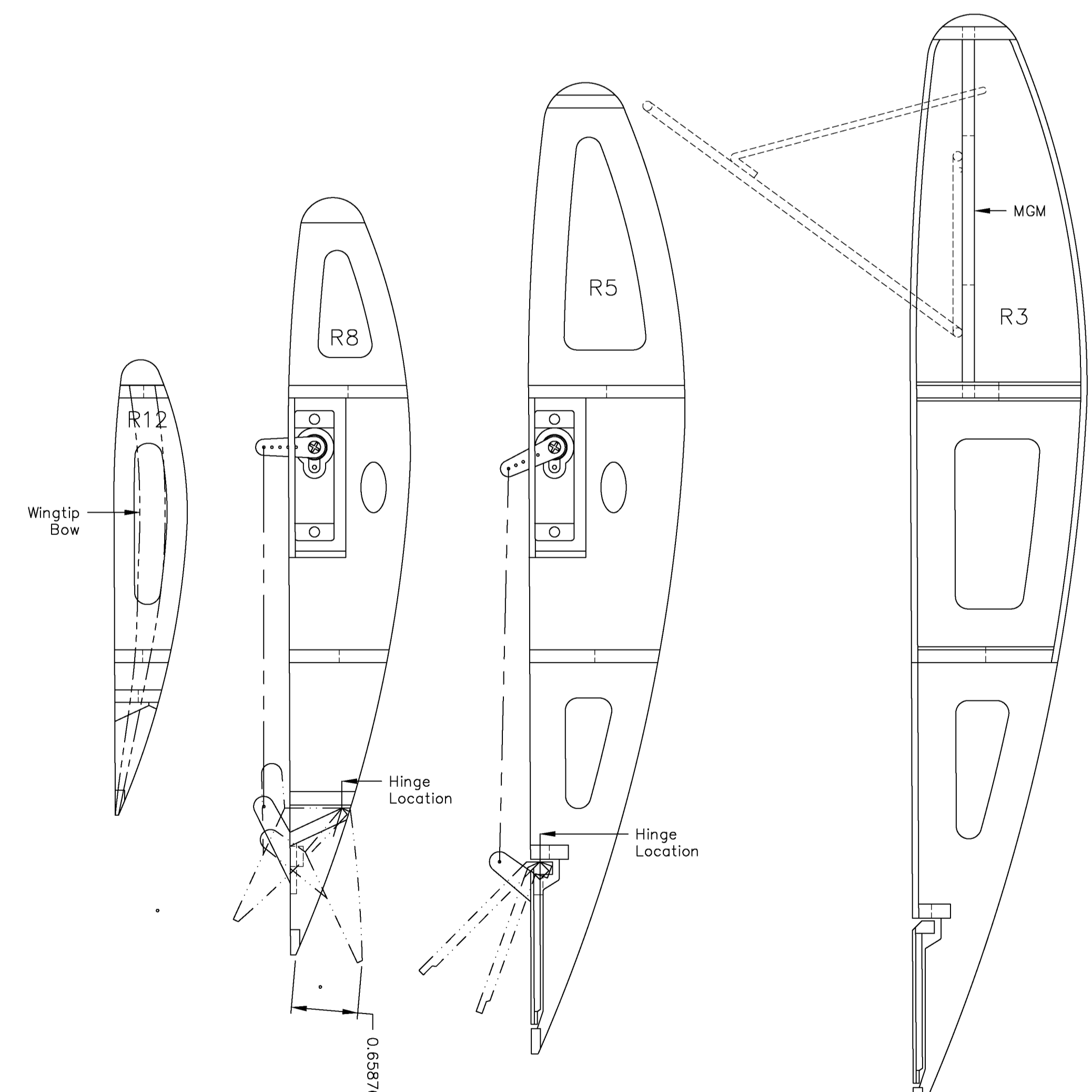


Note: The Outboard Ends of the Main and Rear Spars are Joined as Shown Only if the Laser Cut Parts are Used

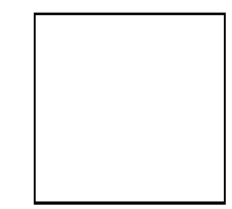
Elevator Bowing Pattern
Make from 2 Laminations of 1/16 x 1/8 x 7 1/2 Balsa

Rudder Bowing Pattern
Make from 2 Laminations of 1/16 x 1/8 x 17 Balsa

Wingtip Bowing Pattern
Make from 2 Laminations of 1/16 x 1/4 x 9 Balsa



1 inch reference square



Copyright 2024 and ModelAviation
Copying for resale of this drawing without the written approval or consent of AMA is expressly prohibited.

Plan No. 1141

B-17F "Memphis Belle"	
Span: 60"	Length: 44 5/8"
Wing Area: 475 Sq. In.	
Flying Weight: 42.8 Oz.	
Designed. By: Pat Tritle for Model Aviation Magazine	
Sheet 2 of 4 © 9-25-2023	