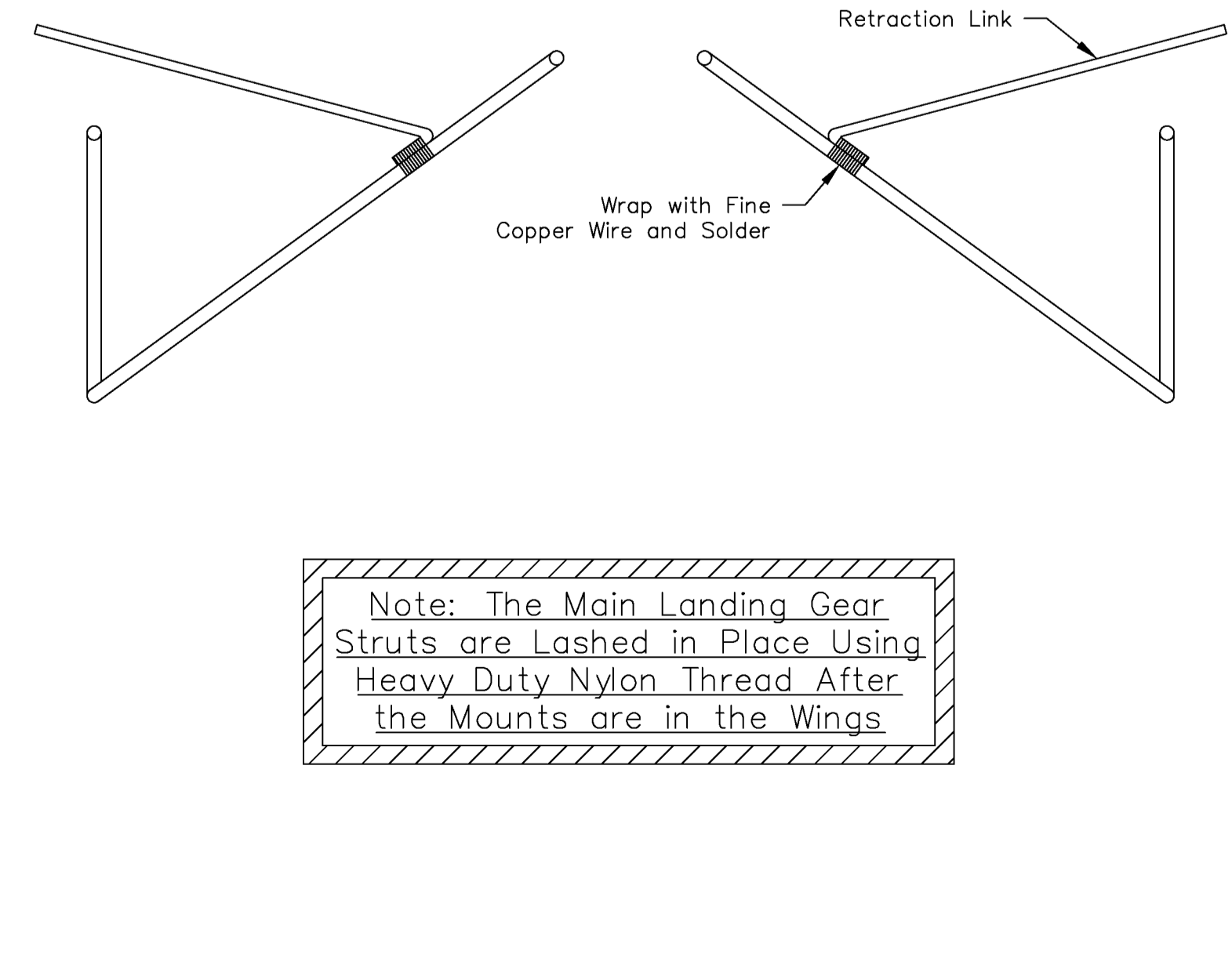
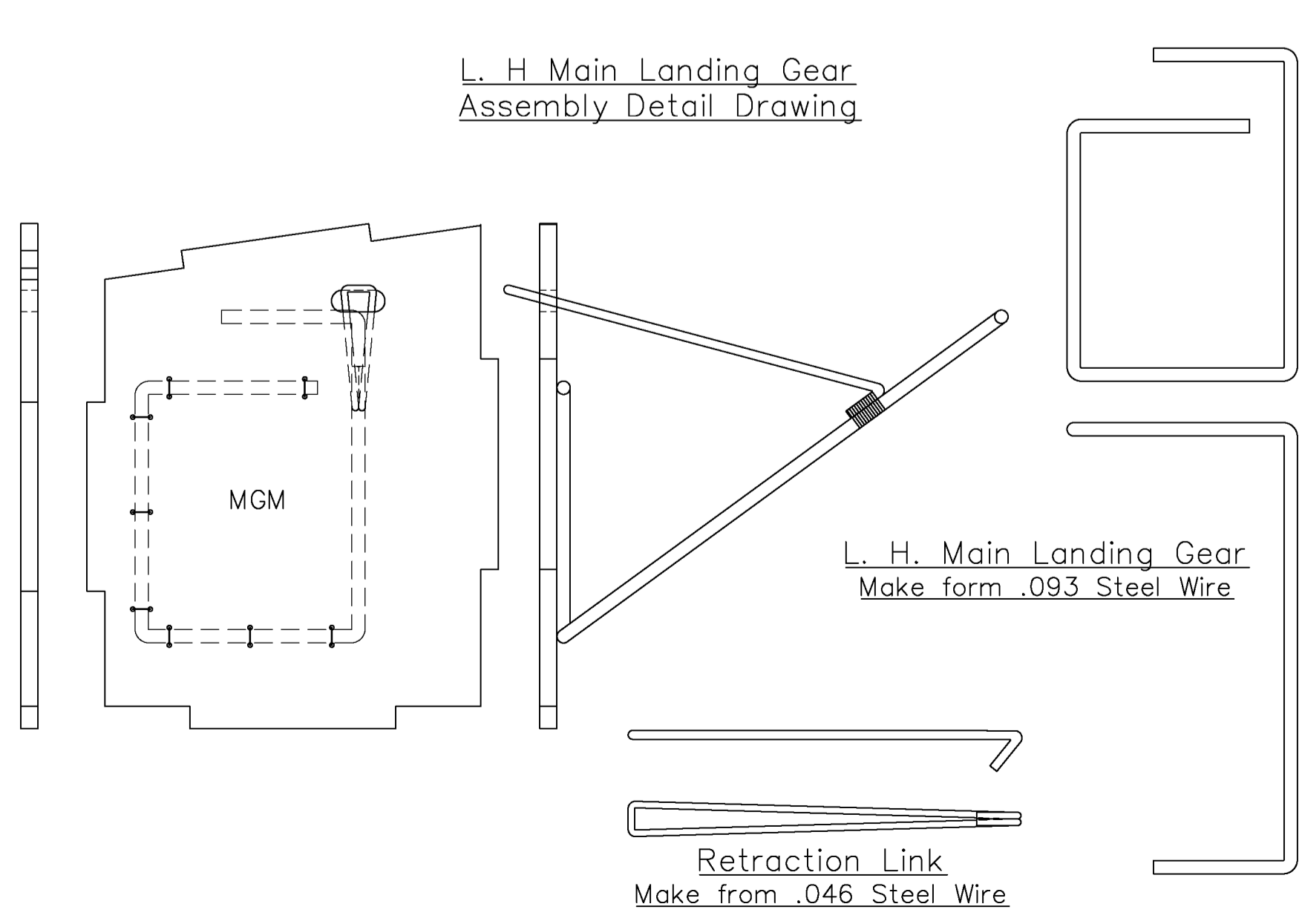
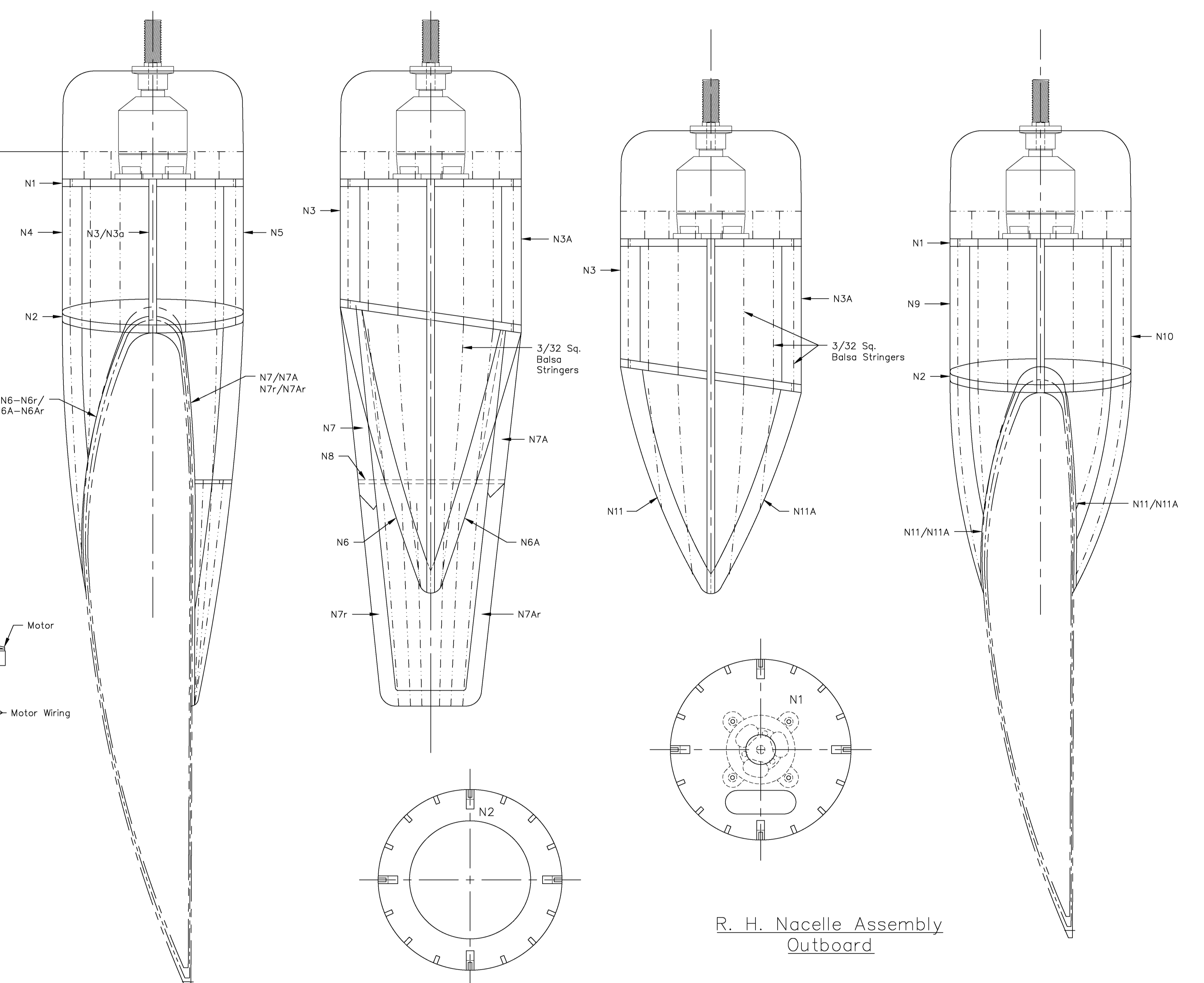
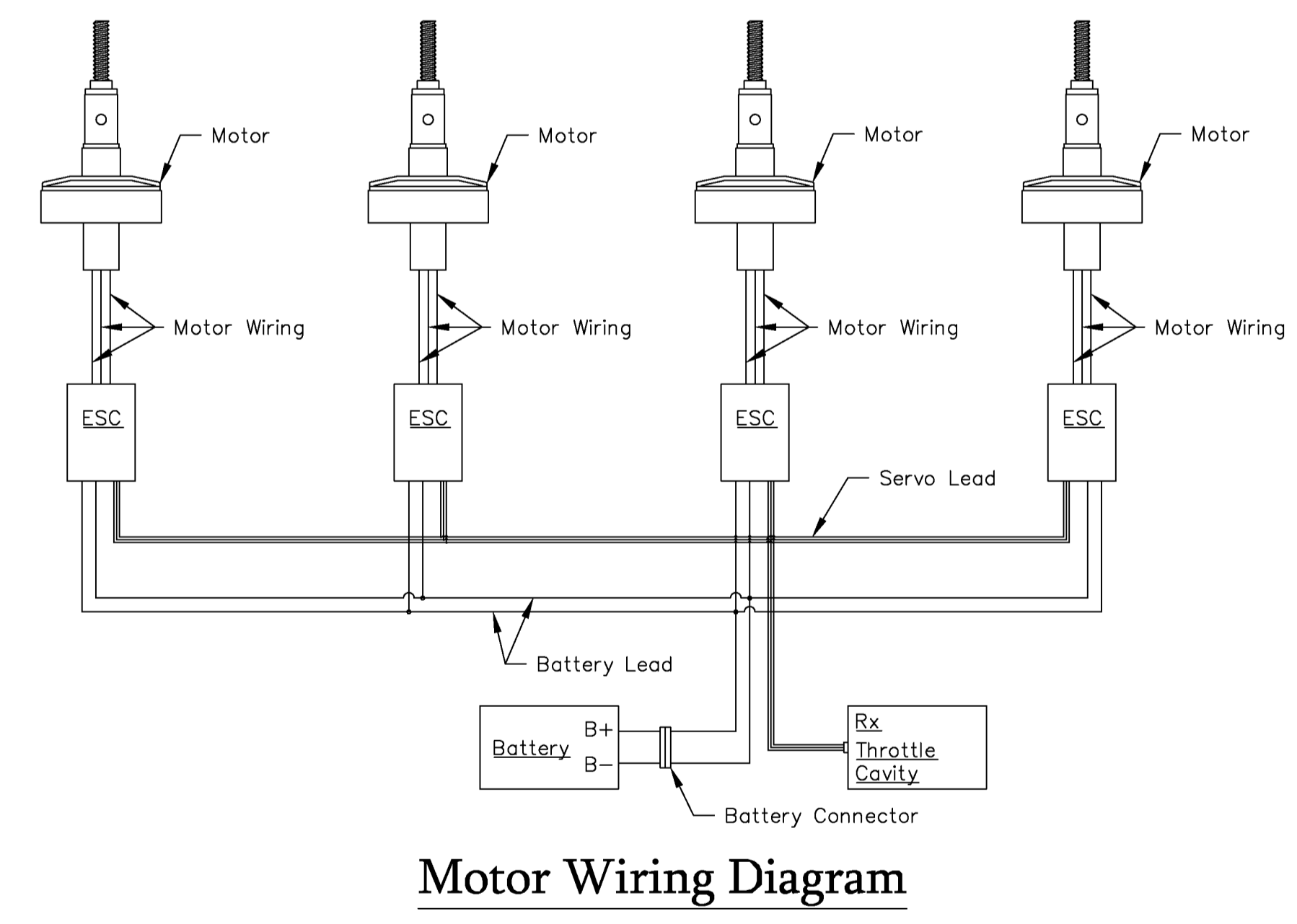
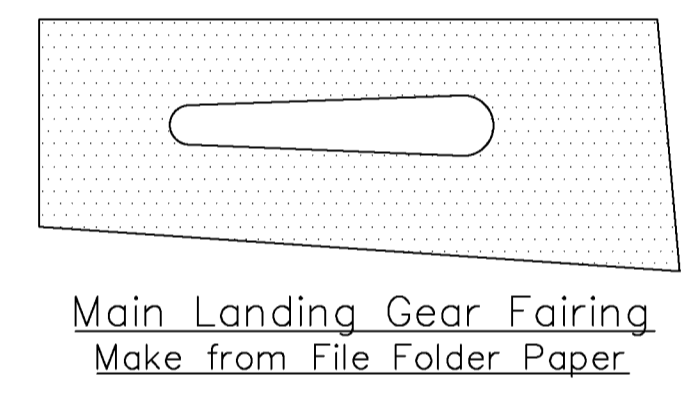
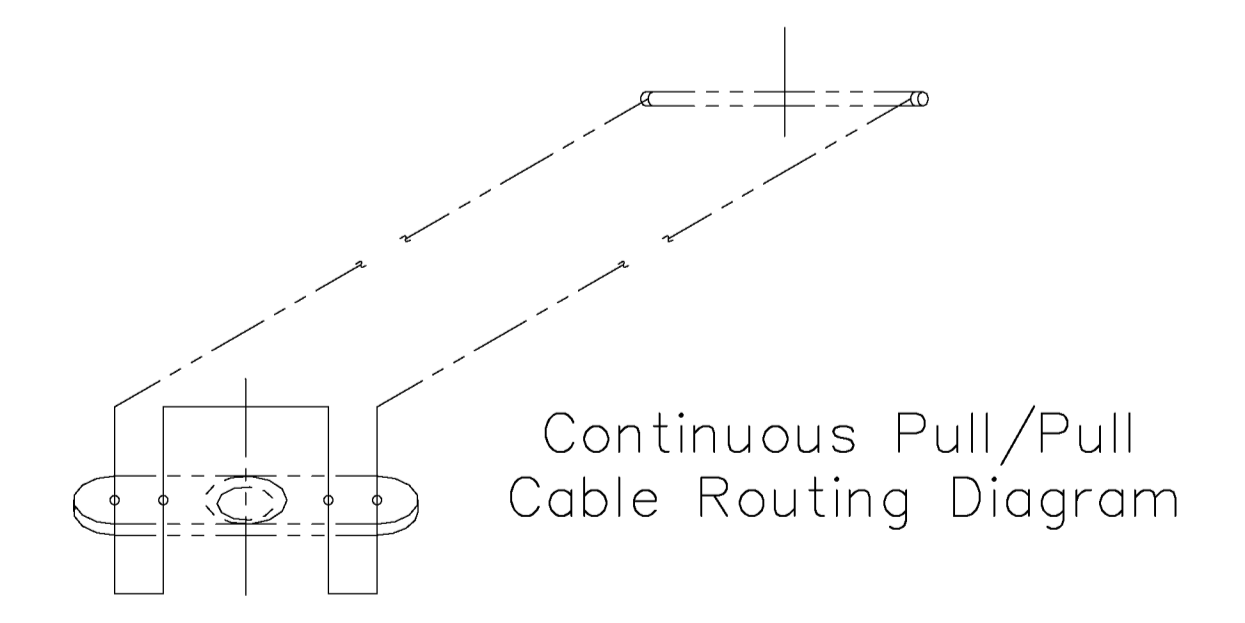
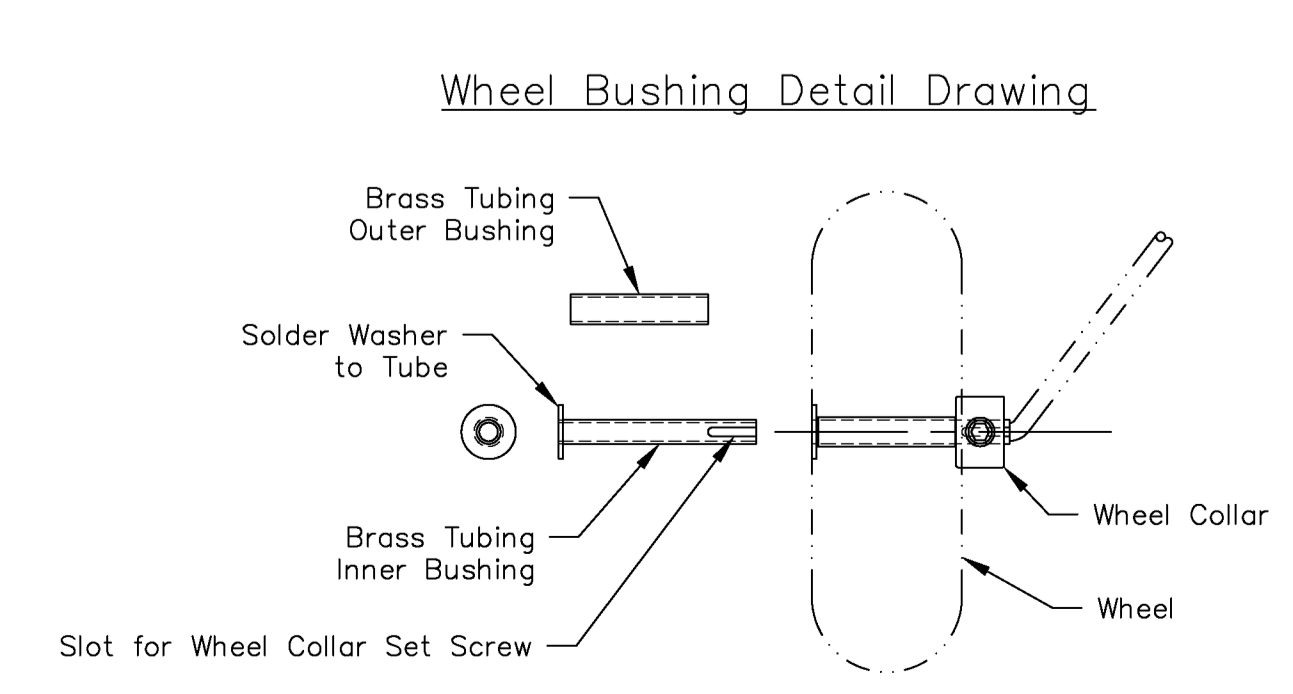
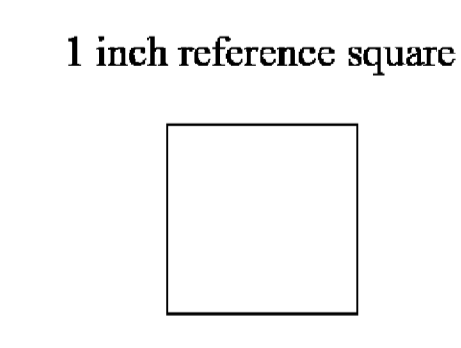


Note: The Left and Right Hand Nacelle Assemblies are Identical Except that They are a Mirror Image of One Another

Recommended Power System: 4- Suppo 2217/15 Brushless Outrunner Motors with 4- HobbyWing Skywalker 20 Amp ESC's with 2 GWS 7-6E Propellers (L. H. Side) and 2 GWS 7-6EP Propellers (R. H. Side) and a 2200 3S Lipoly Battery.



Note: The Main Landing Gear Struts are Lashed in Place Using Heavy Duty Nylon Thread After the Mounts are in the Wings



Plan No. 1141

B-17F "Memphis Belle"	
Span: 60"	Length: 44 5/8"
Wing Area: 475 Sq. In.	
Flying Weight: 42.8 Oz.	
Designed. By: Pat Tritle for Model Aviation Magazine	
Sheet 3 of 4 © 9-25-2023	

Copyright 2024 and ModelAviation
Copying for resale of this drawing without the written approval or consent of AMA is expressly prohibited.