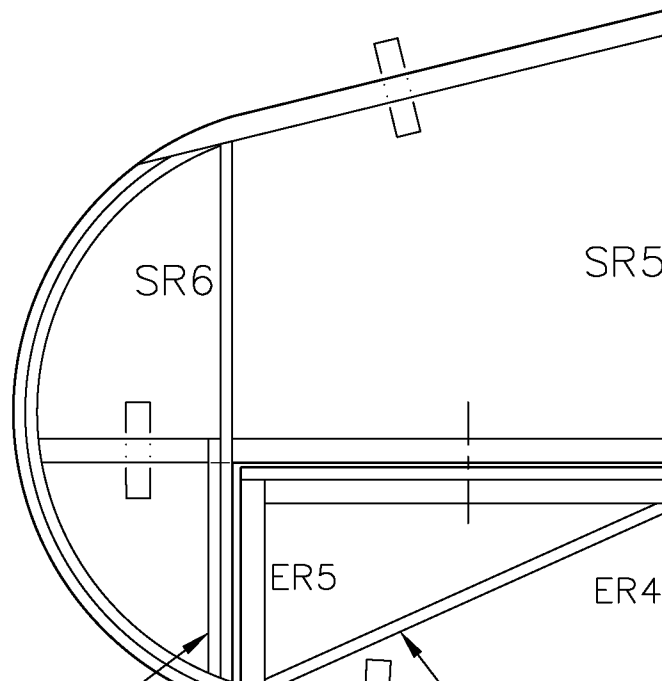
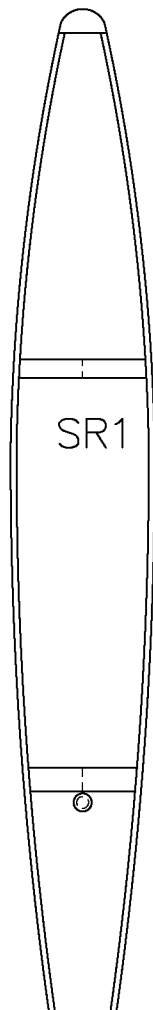
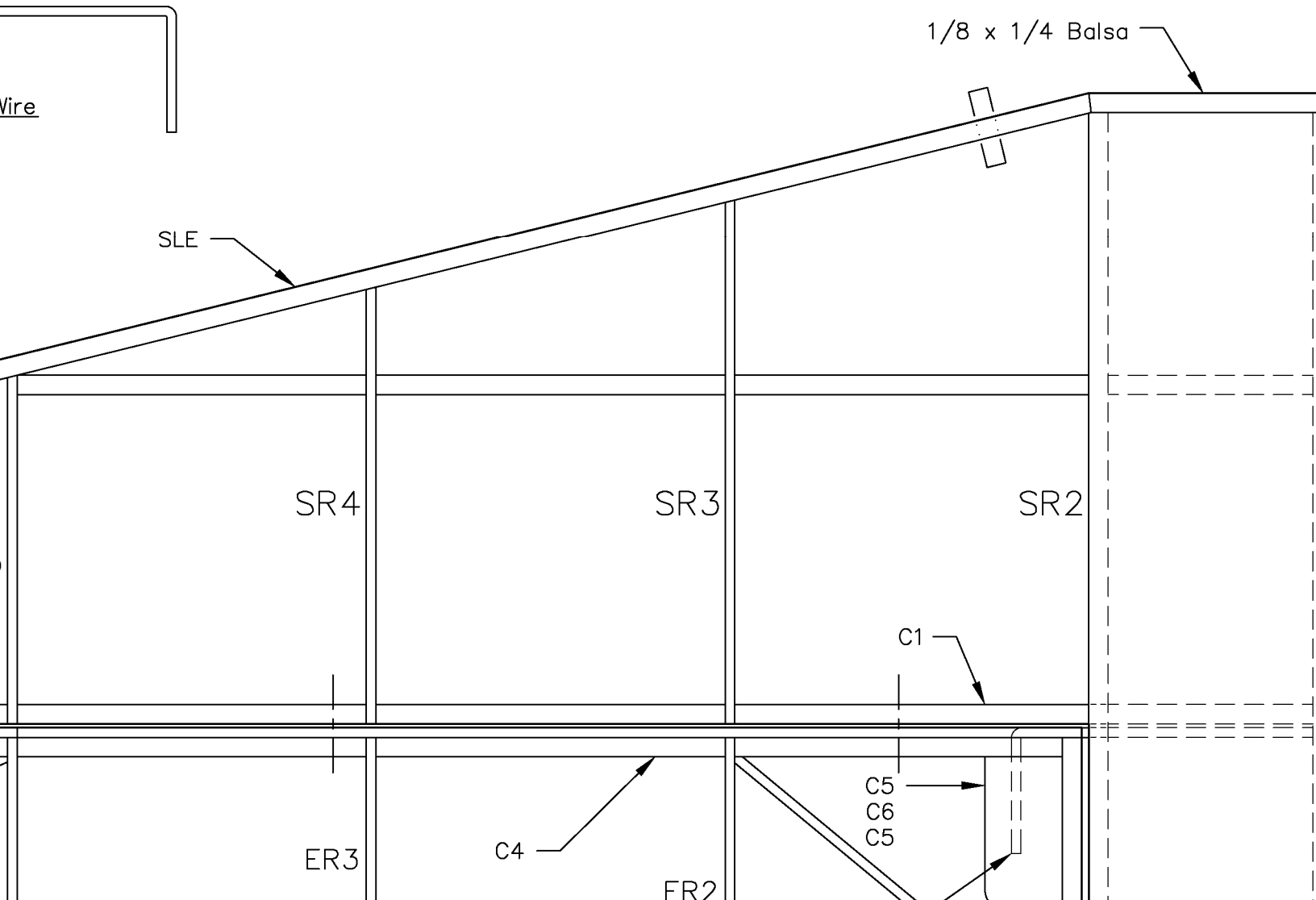
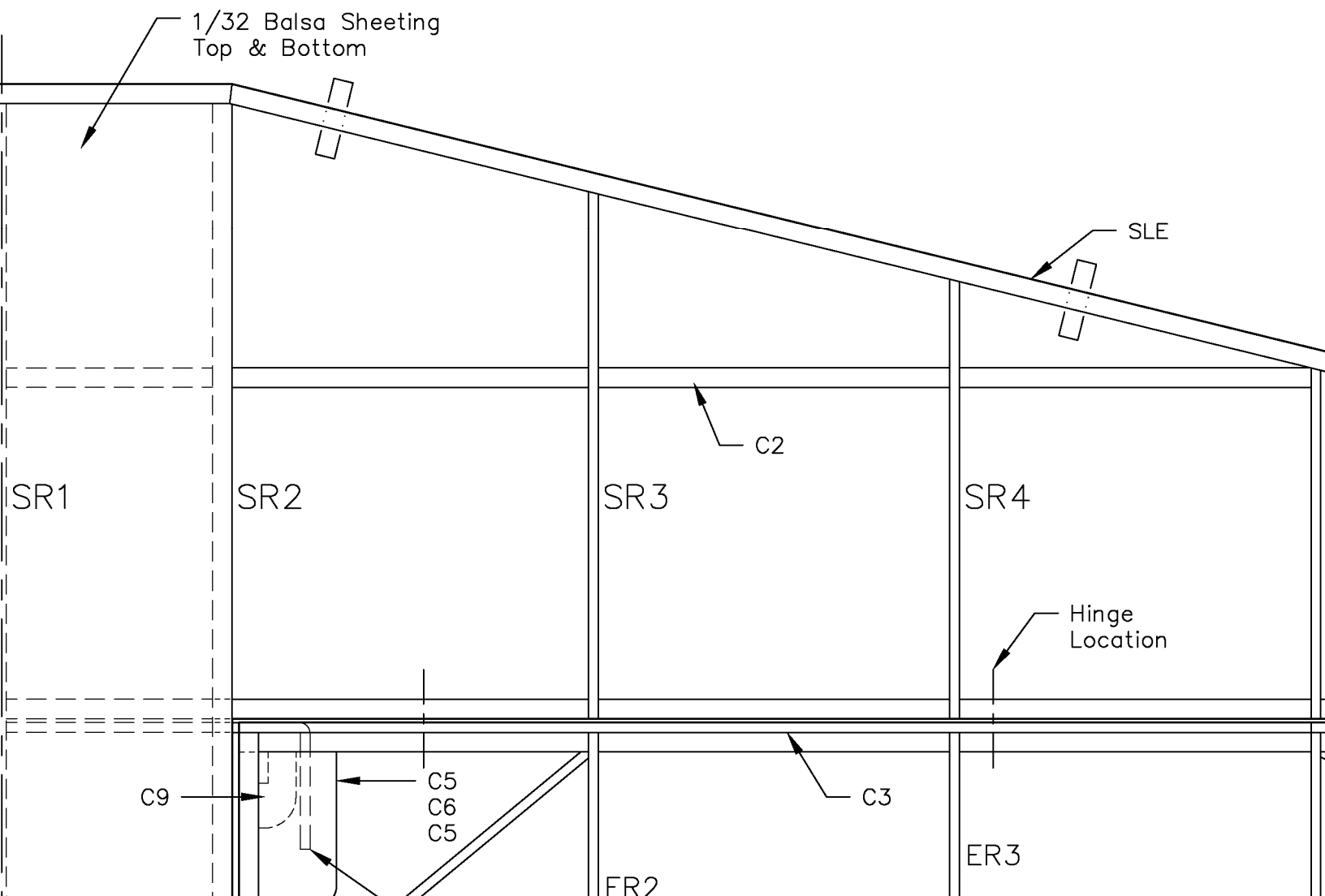
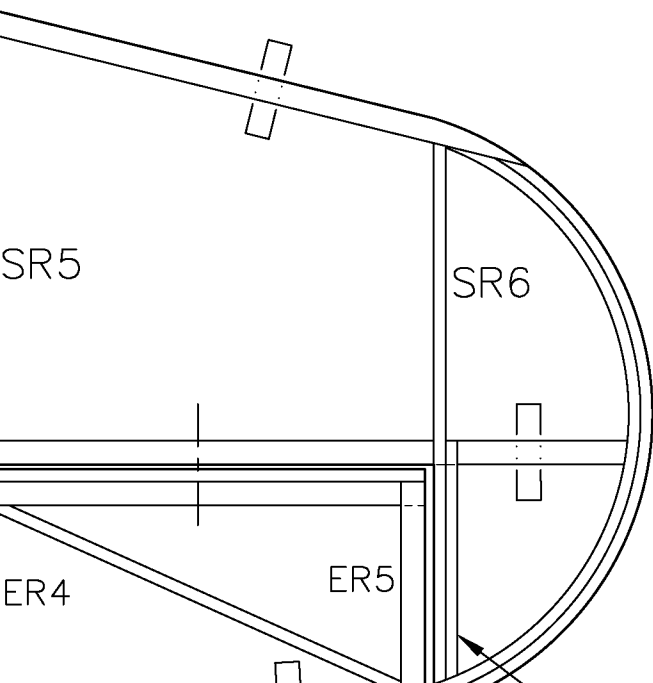
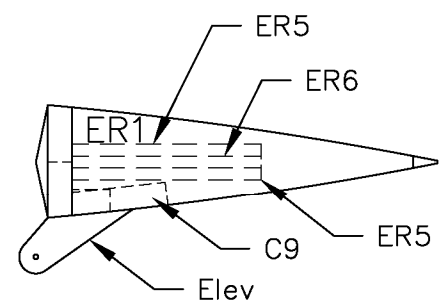


Elevator Joiner
Make from 1/16 Steel V

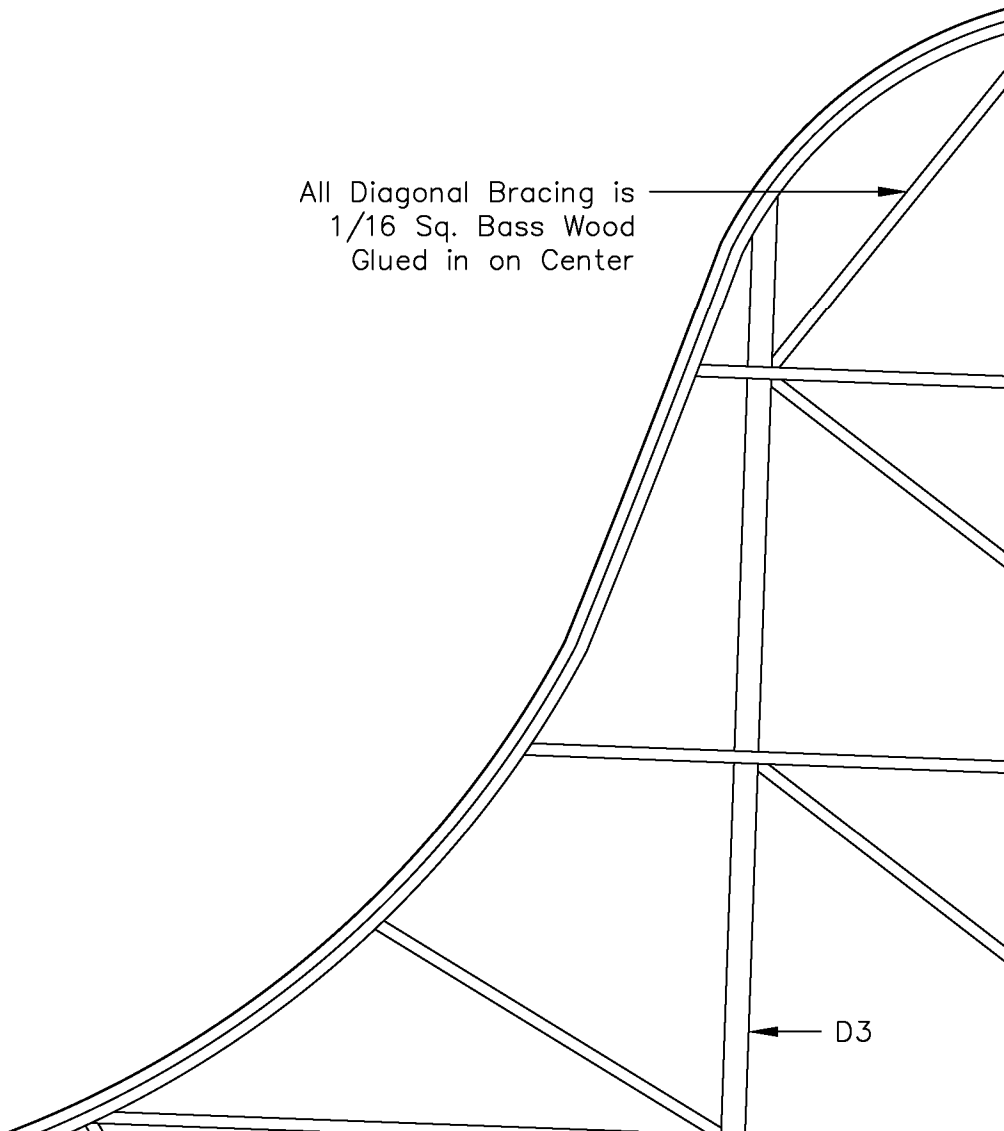




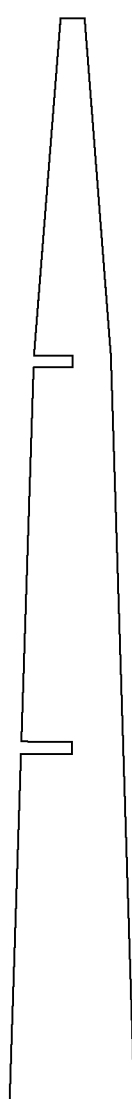
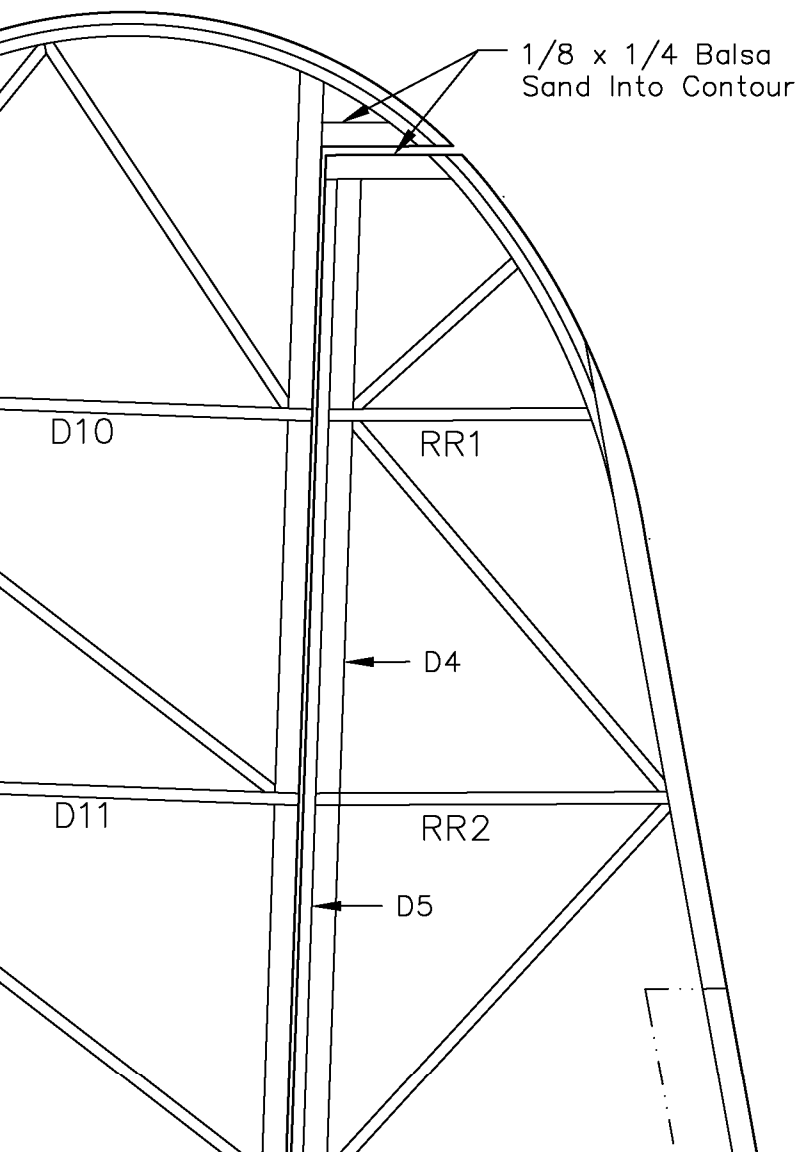


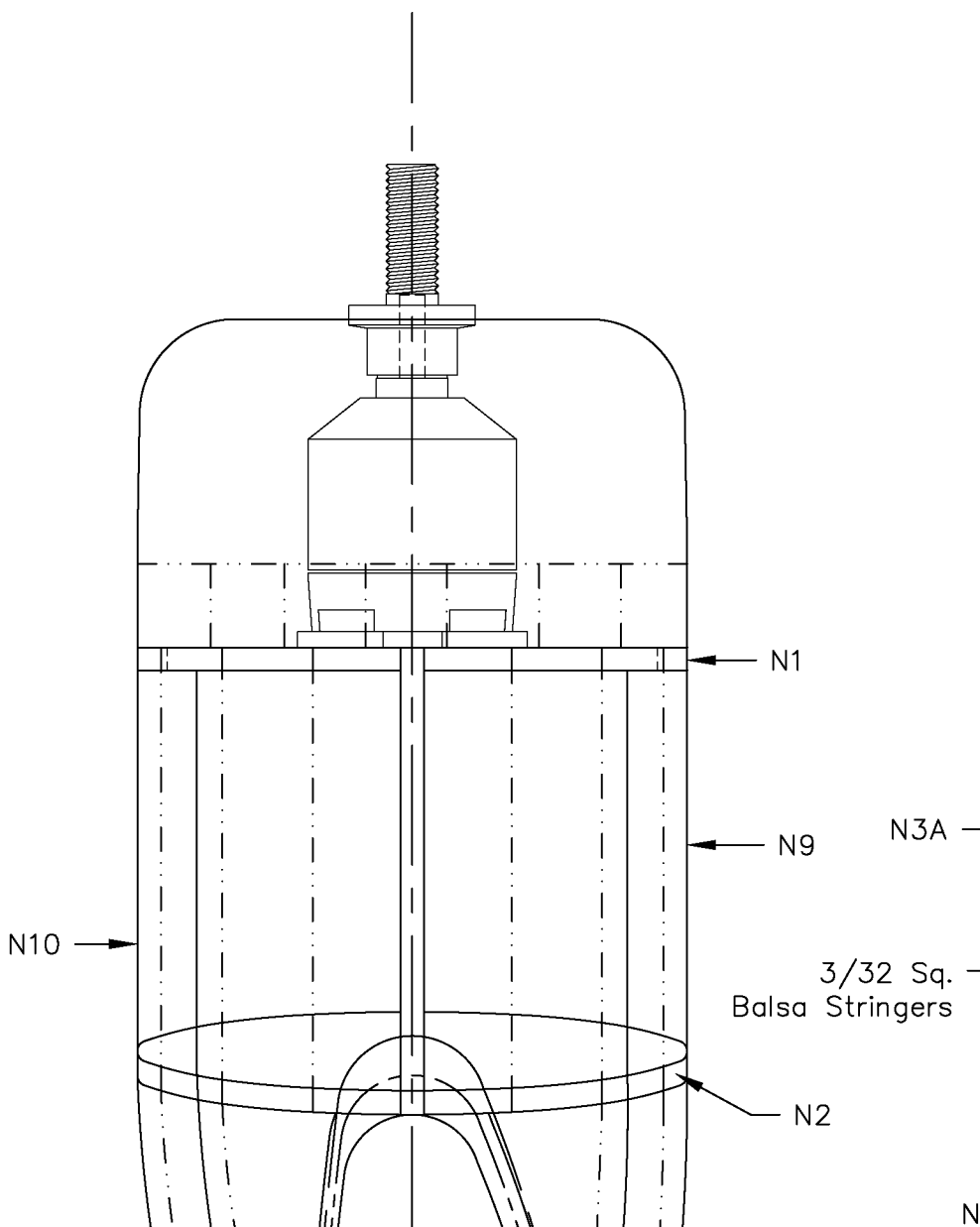
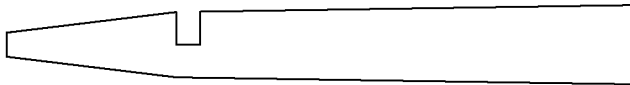
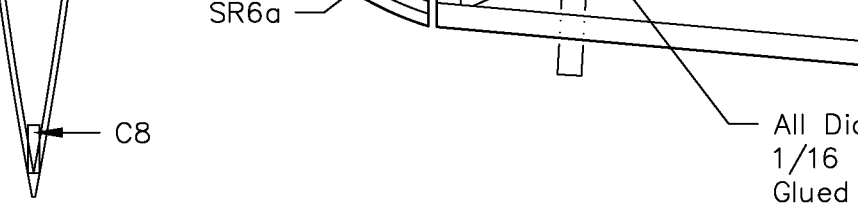


All Diagonal Bracing is
1/16 Sq. Bass Wood
Glued in on Center



D3





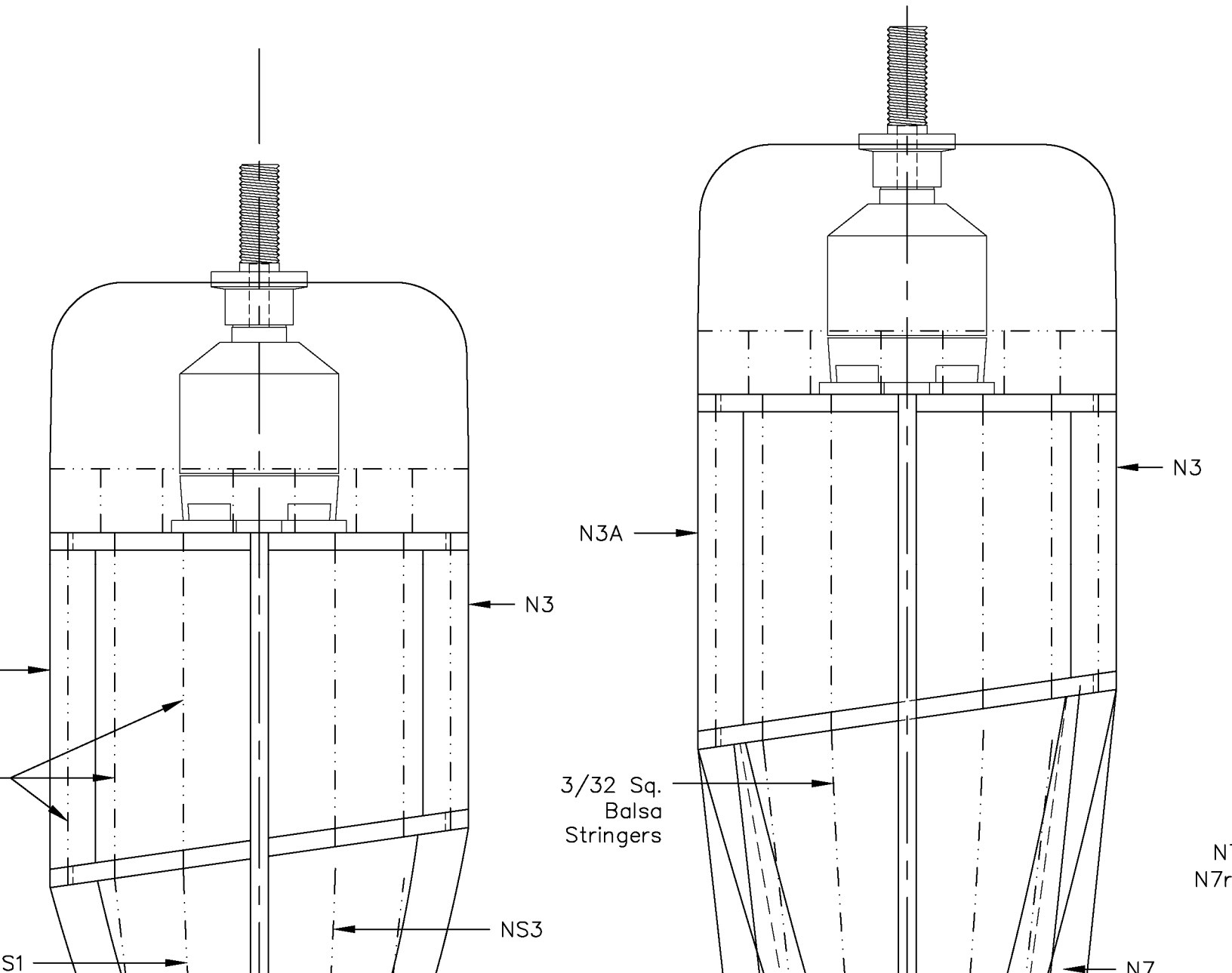
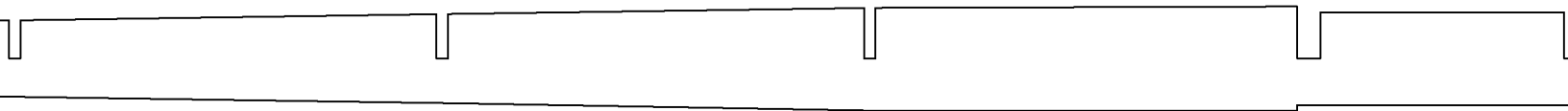
agonal Bracing is
Sq. Bass Wood
in on Center

Elevator
Joiner

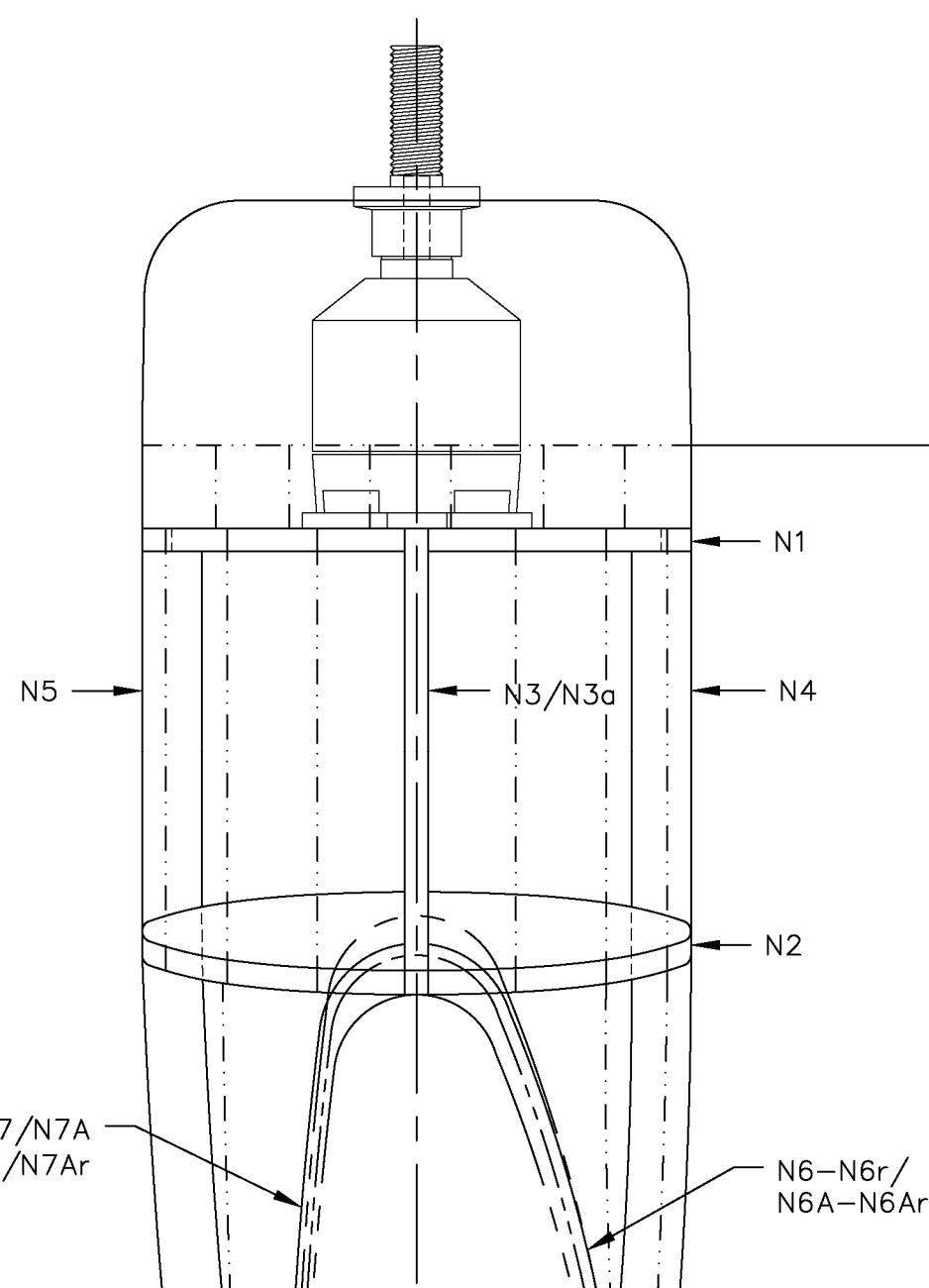
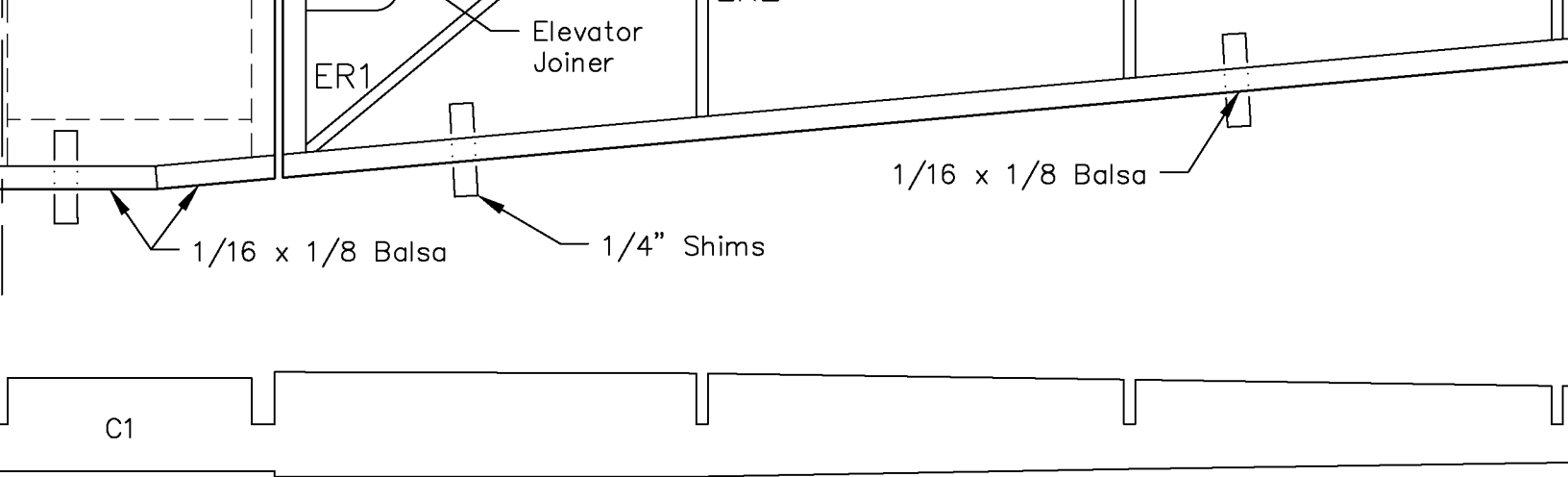
ER1

C8

1/4" Shims



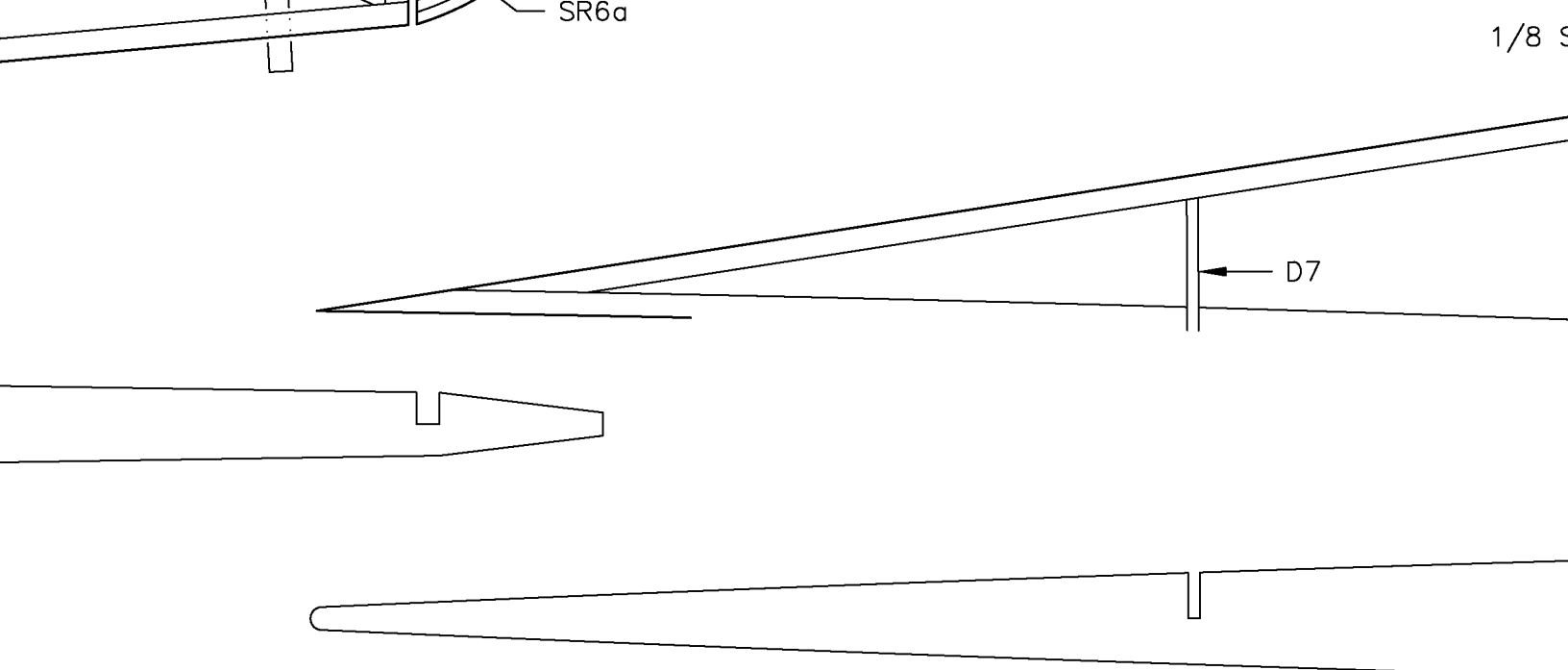
N
N7r



Note: The Left and Right
Assemblies are Identical
They are a Mirror Image

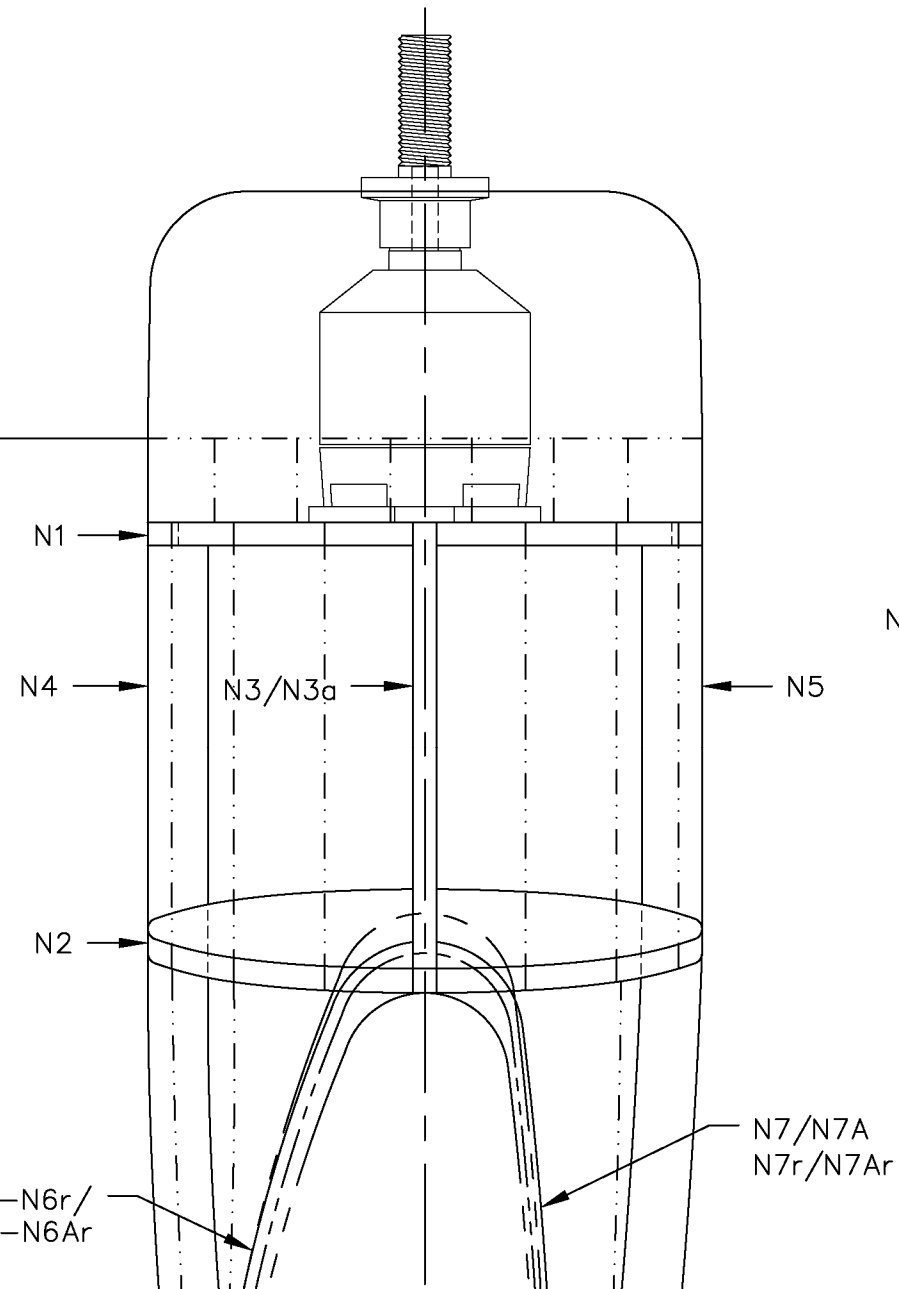
Recommended Power
2217/15 Brushless Motor
4- HobbyWing Skywing
with 2 GWS 7-6E propellers
and 2 GWS 7-6EP Propellers
and a 2200 3S

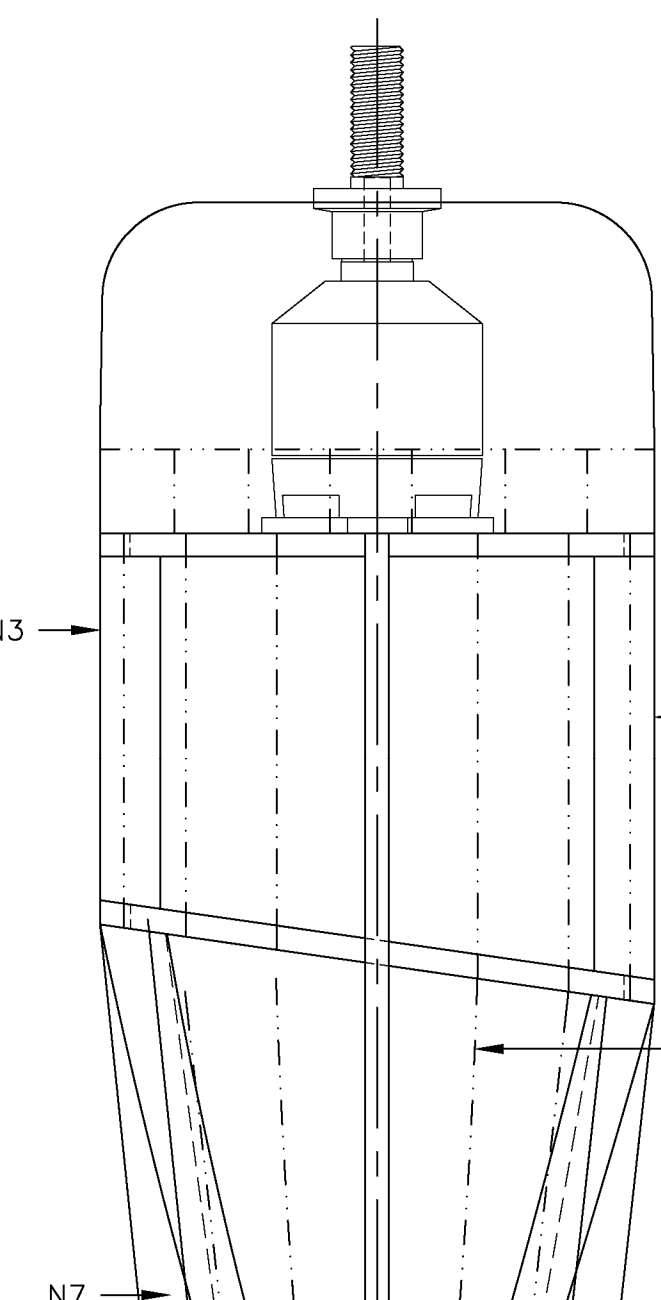
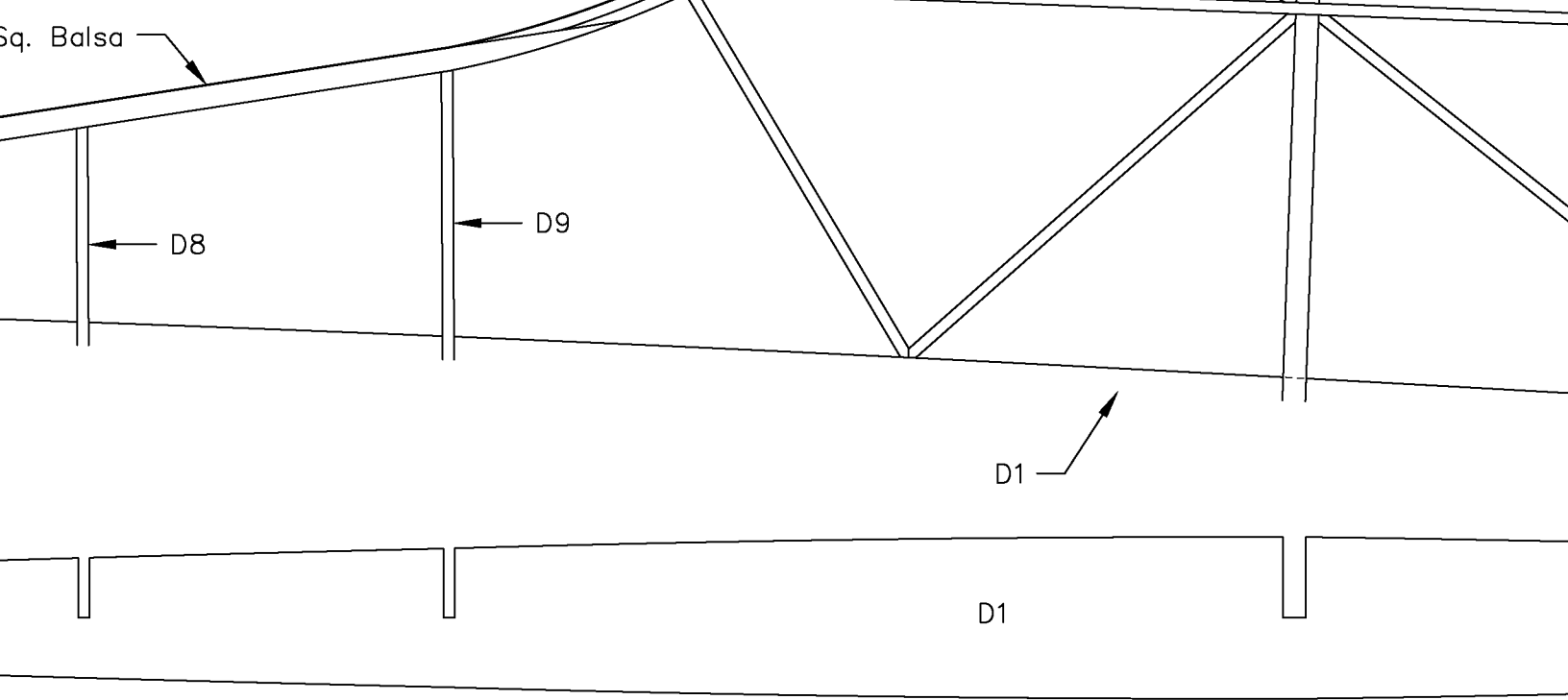




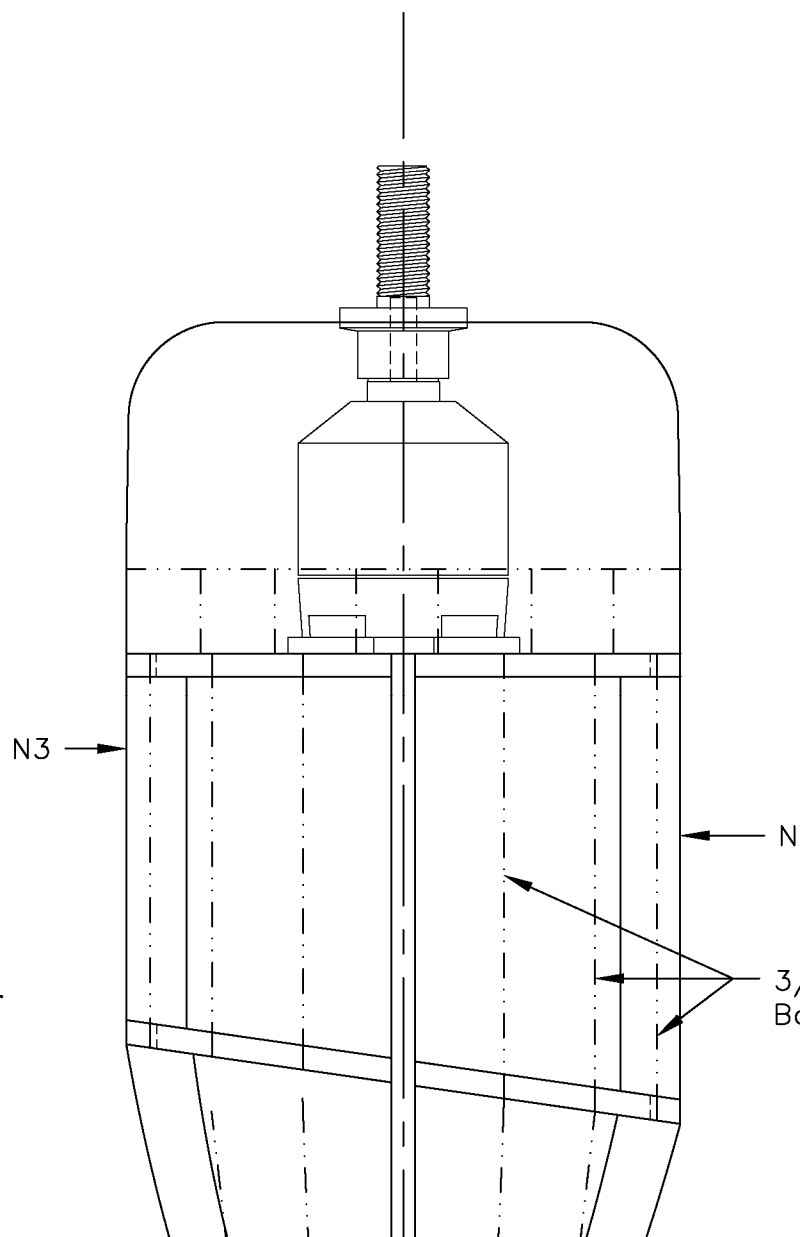
Right Hand Nacelle
 tical Except that
 ge of One Another

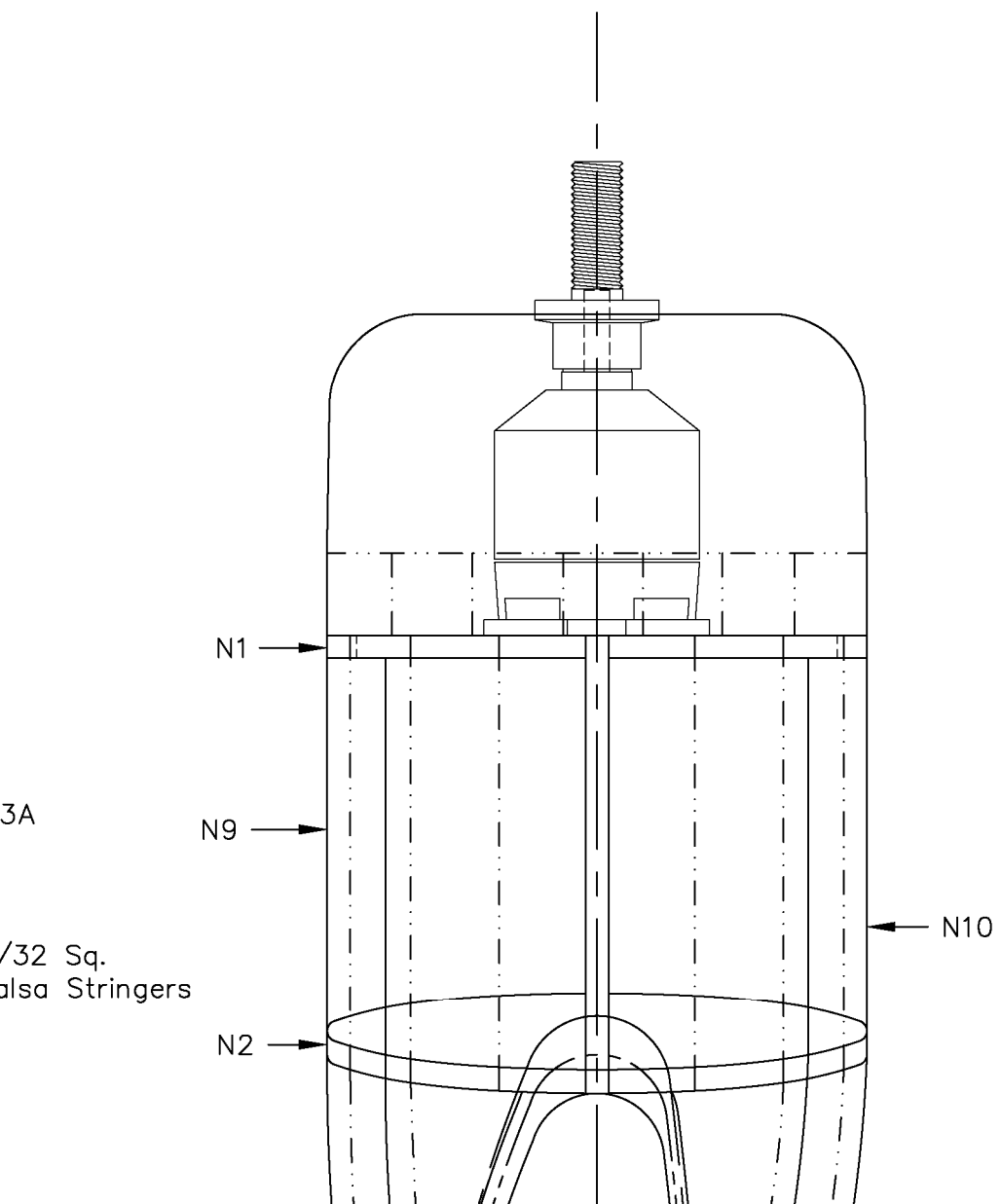
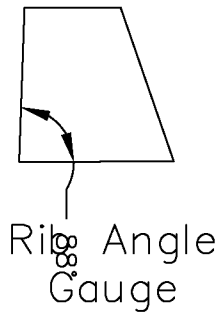
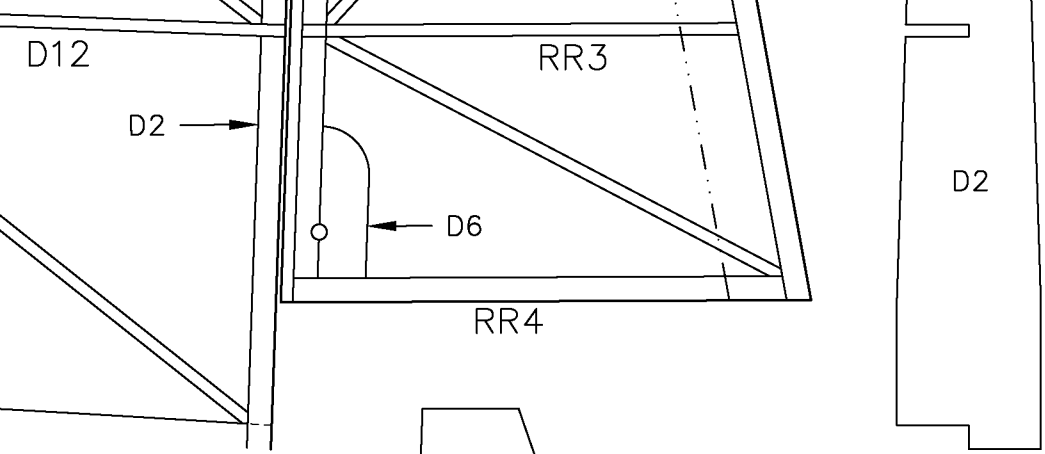
System: 4- Suppo
 Outrunner Motors with
 alker 20 Amp ESC's
 ropellers (L. H. Side)
 ropellers (R. H. Side)
 Lipoly Battery.





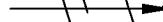
3/32 Sq.
 Balsa
 Stringers





3A
 /32 Sq.
 also Stringers

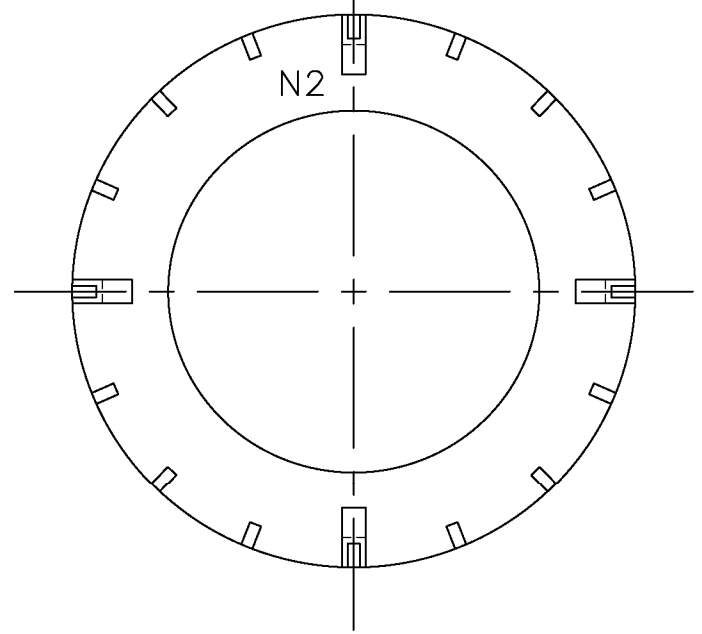
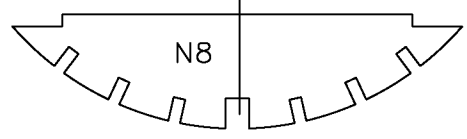
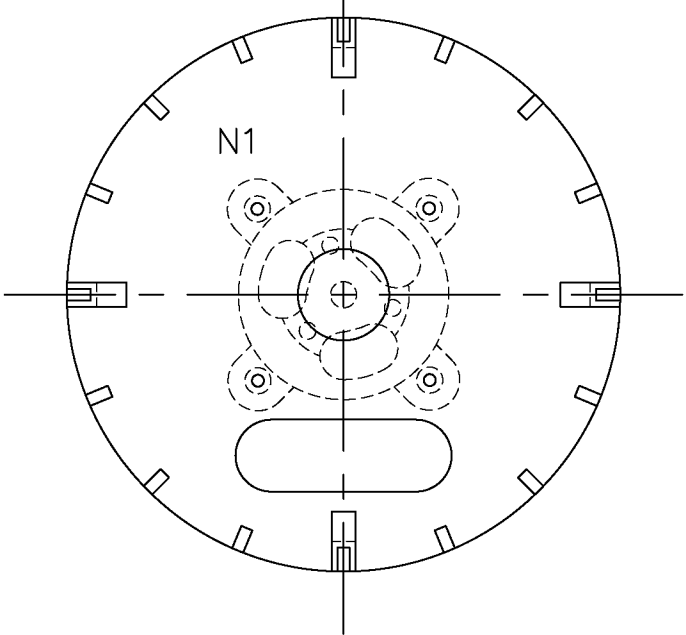
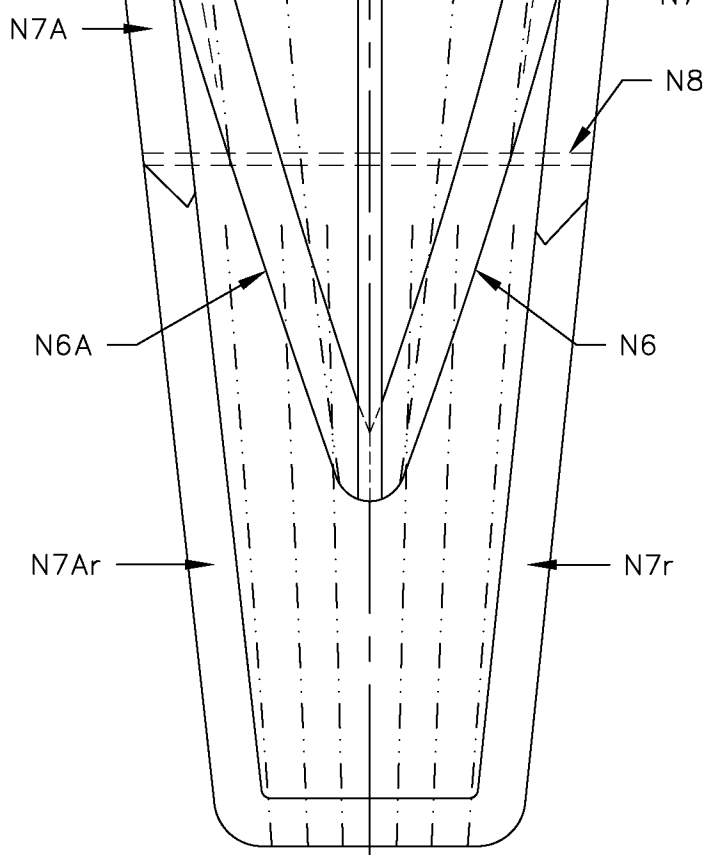
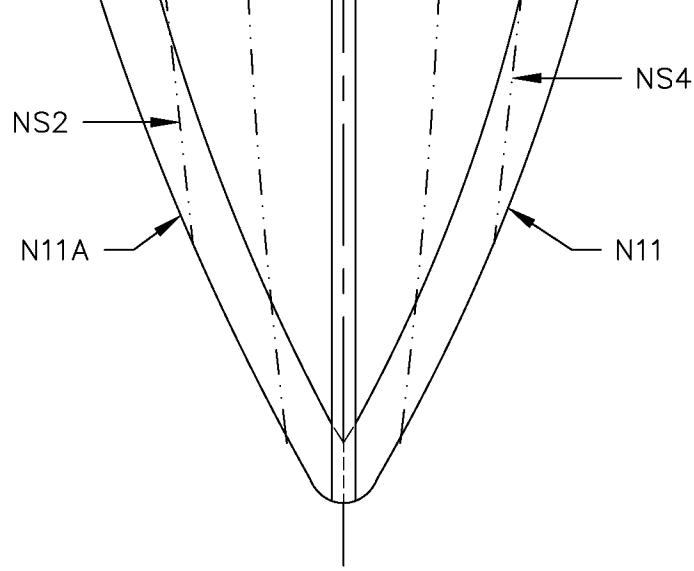
N11/N11A



N11/N11A



L. H. Nace
Out



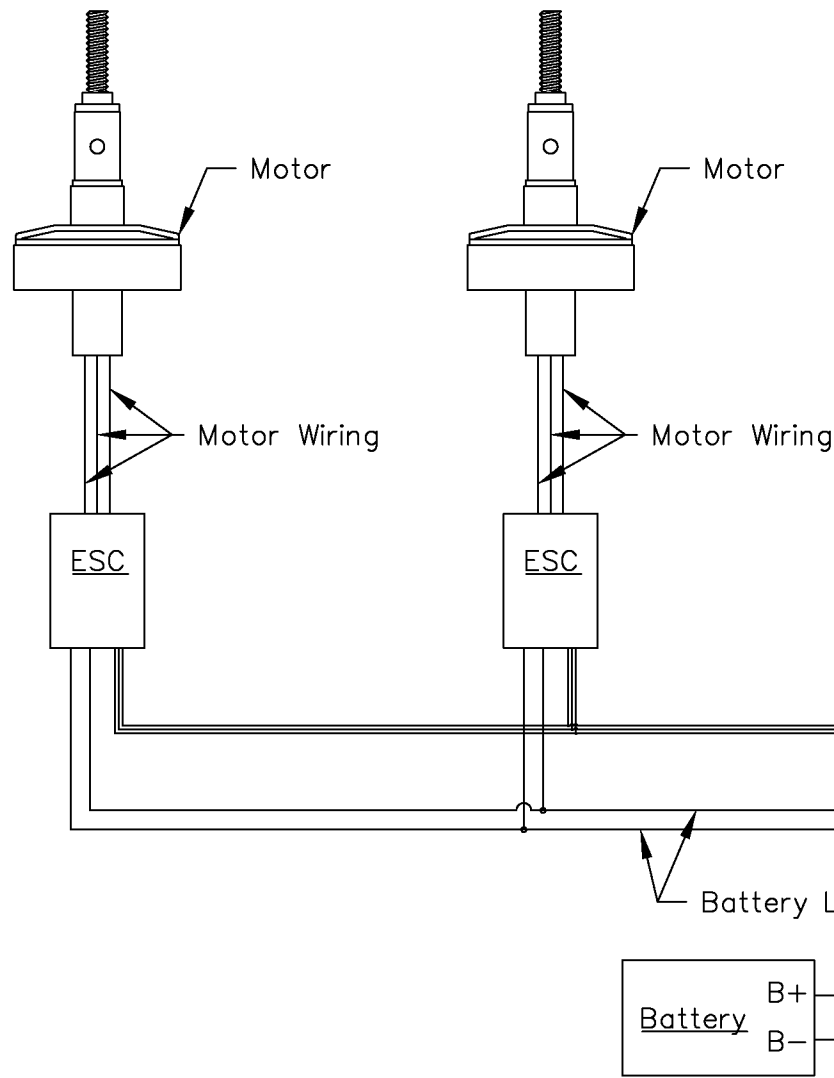
Nacelle Assembly
Inboard

L. H. Nacelle Assembly
Inboard

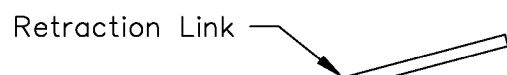
N8



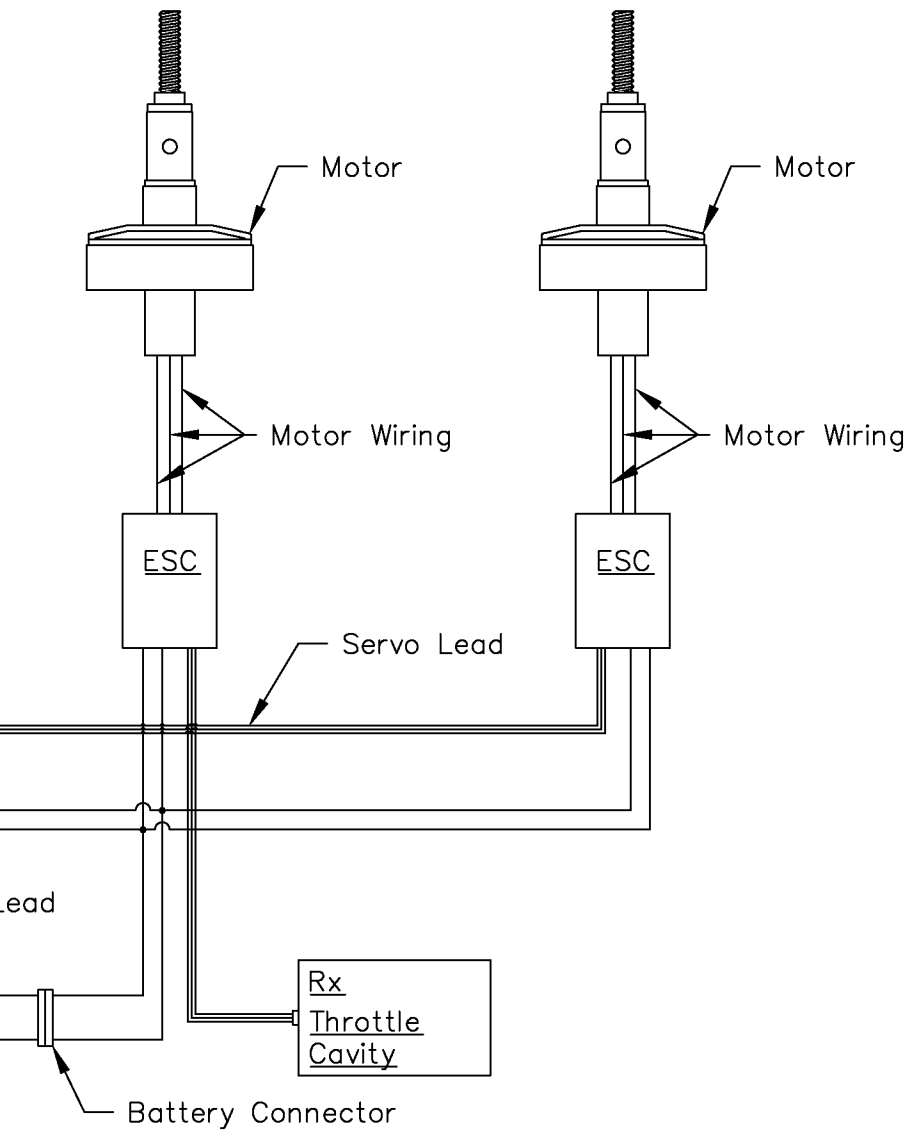
Main Landing
Make from File



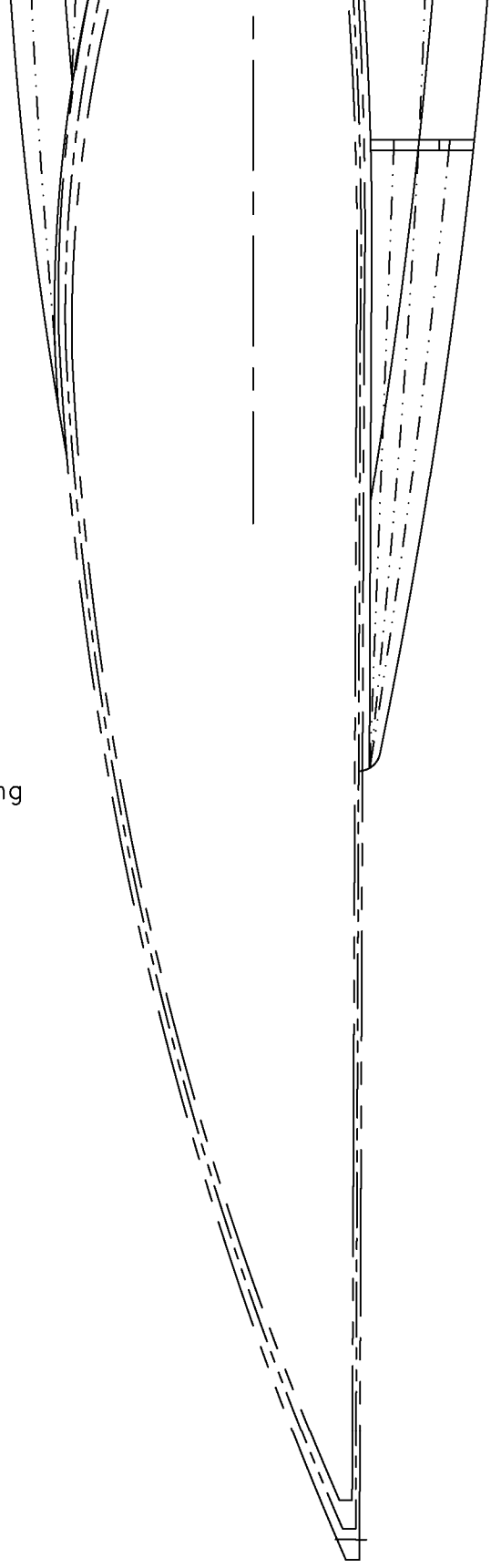
Motor Wi



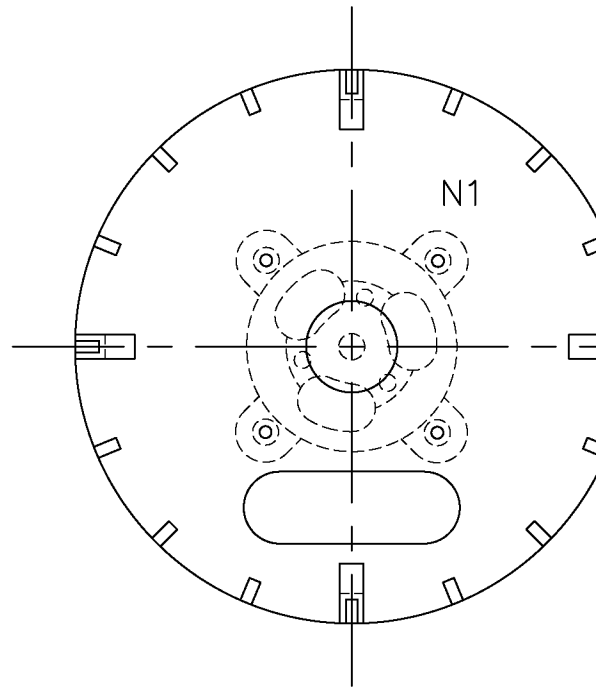
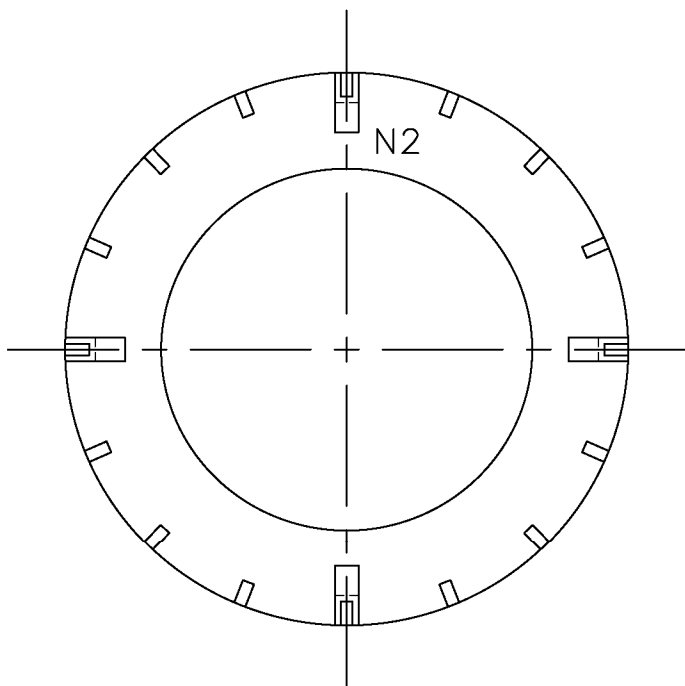
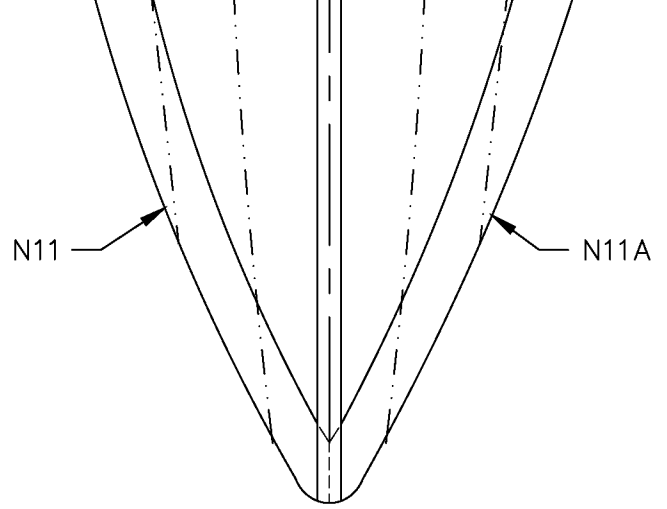
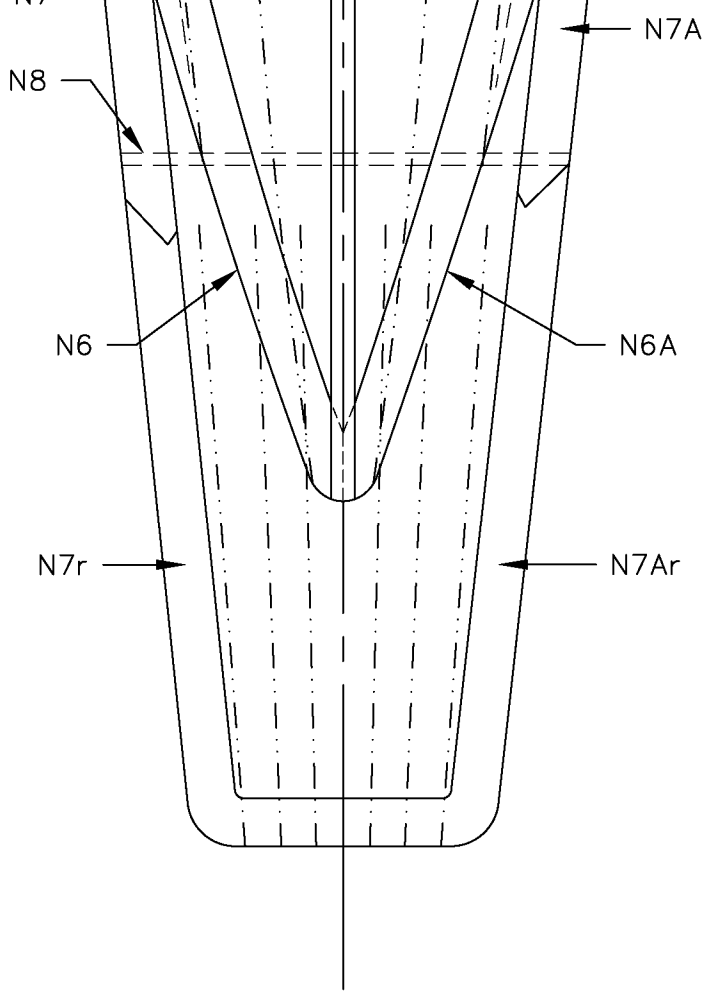
Gear Fairing
Folder Paper



Wiring Diagram



1 inch reference square

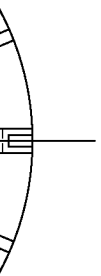


R. H. Nacelle
Outboard

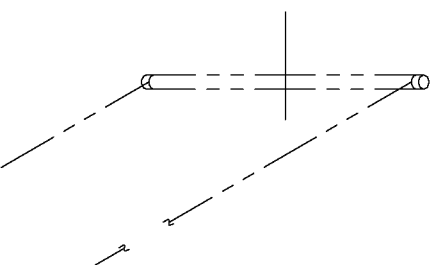
R. H. Nacelle Assembly
Inboard

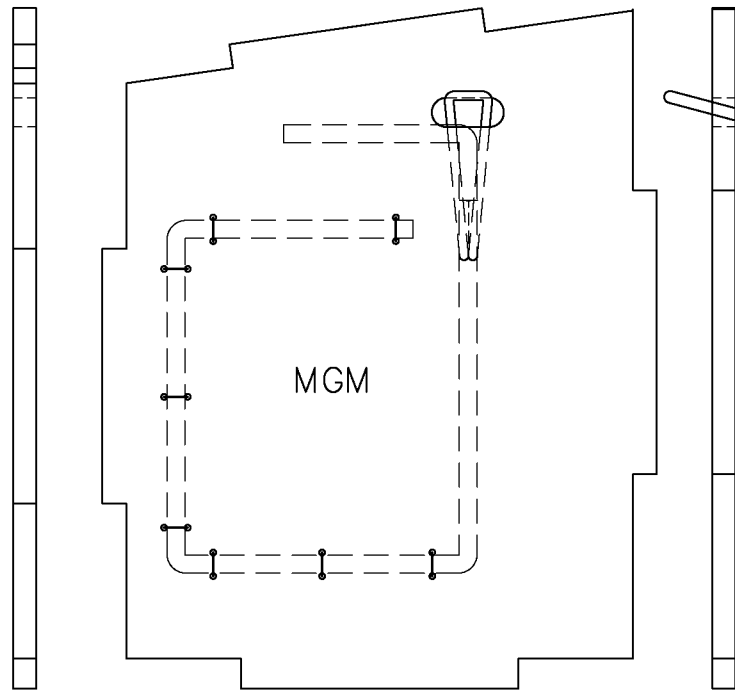
N11/N11A

N11/N11A

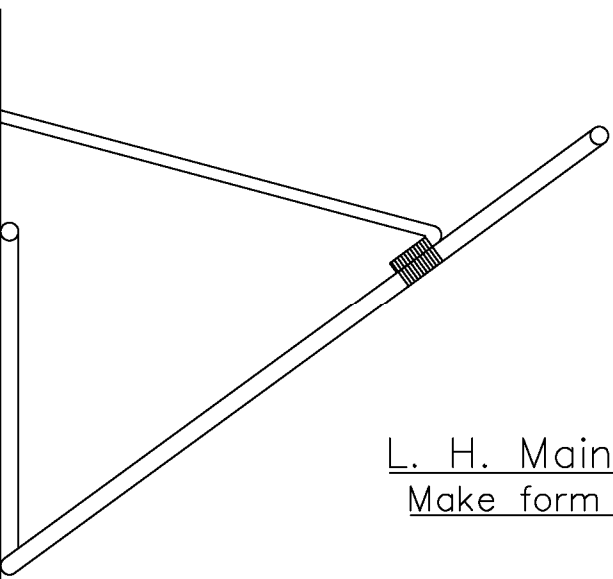


Assembly
Card

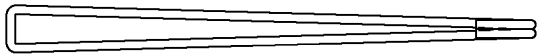
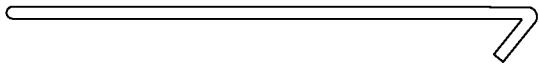




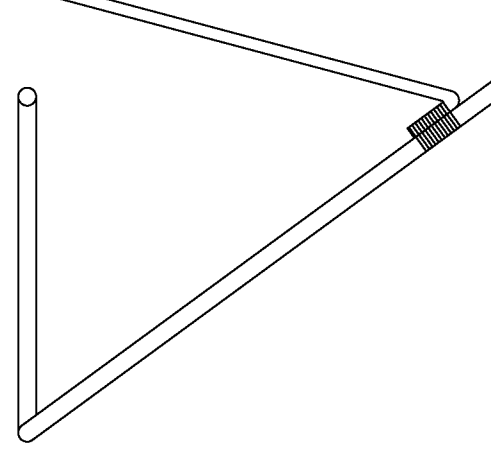
Main Landing Gear
Assembly Detail Drawing



L. H. Main Landing Gear
Make from .093 Steel Wire

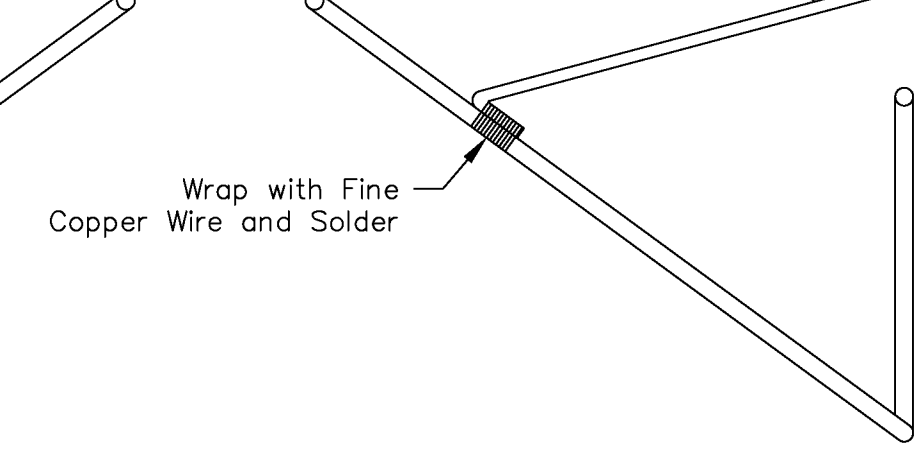


Retraction Link
Make from .046 Steel Wire

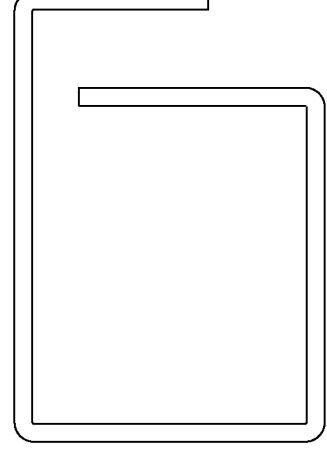


Note:
Struts
Heavy
the M

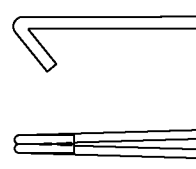
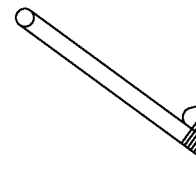
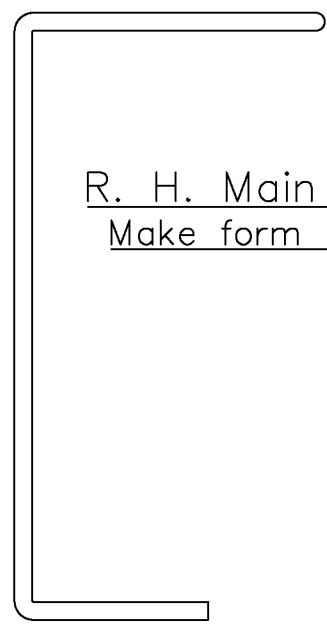
Wrap with Fine
Copper Wire and Solder



The Main Landing Gear
are Lashed in Place Using
Duty Nylon Thread After
Mounts are in the Wings

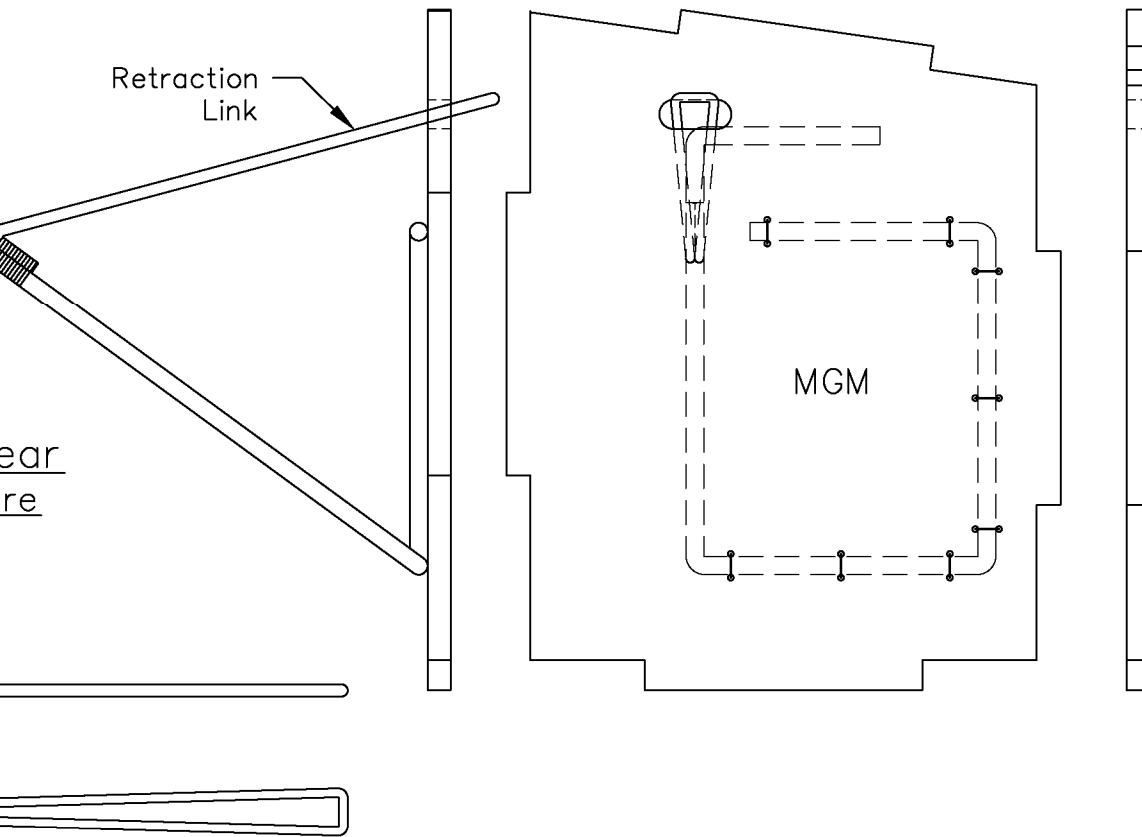


R. H. Main Landing Gear
Make from .093 Steel Wire



Retr
Make from

R. H Main Landing Gear
Assembly Detail Drawing



ear
re

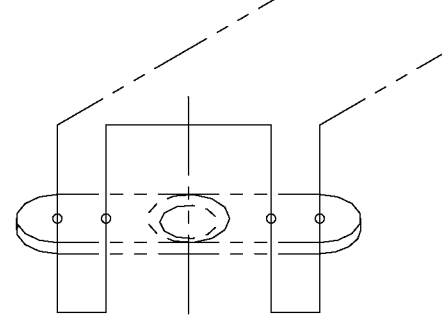
Retraction Link
m .046 Steel Wire

Br
Ou

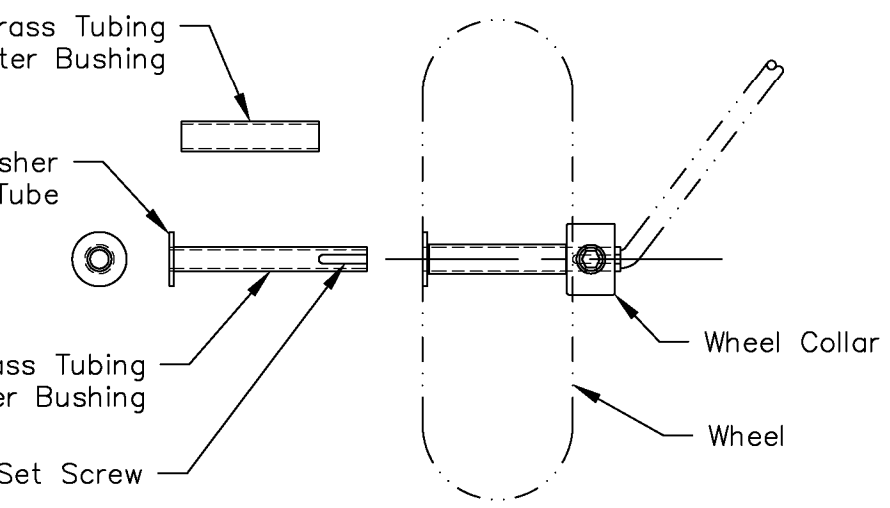
Solder Wa
to

Bro
Inne

Slot for Wheel Collar



Wheel Bushing Detail Drawing



Copyright 2024



and **ModelAviation**

Copying for resale of this drawing without the written approval or consent of AMA is expressly prohibited.

Continuous Pull/Pull
Cable Routing Diagram

Plan No. 1141

B-17F "Memphis Belle"

Span: 60" | Length: 44 5/8"

Wing Area: 475 Sq. In.

Flying Weight: 42.8 Oz.

Designed. By: Pat Tritle for
Model Aviation Magazine

Sheet 3 of 4 © 9-25-2023