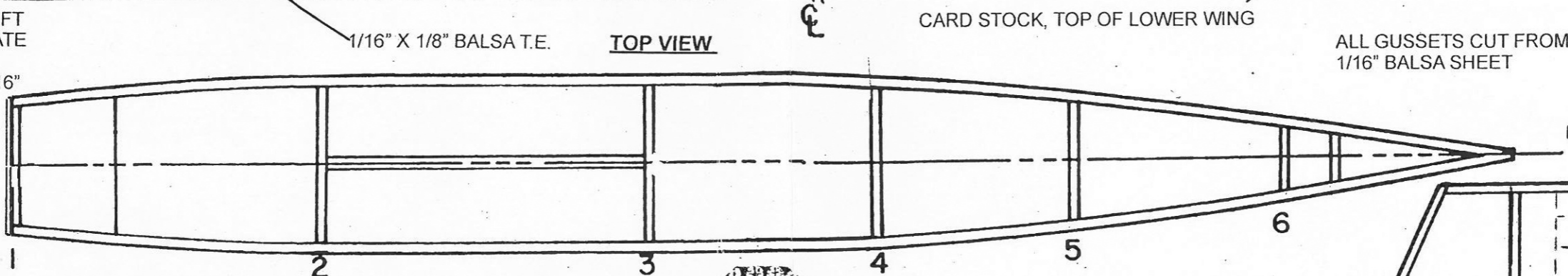
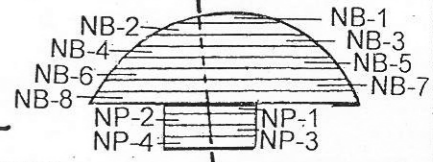


ELEVATE REAR OF TOP LEFT WING TIP 3/32", BUT ELEVATE THE REAR OF THE RIGHT LOWER WING TIP ONLY 1/16"

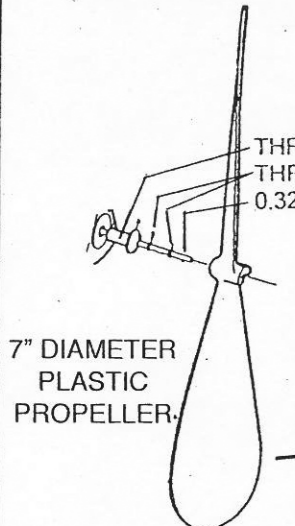
NOSE BLOCK PLUG MAY BE EITHER CARVED FROM Balsa BLOCK OR LAMINATED FROM 1/16" SHEET AS SHOWN ON THE PLAN



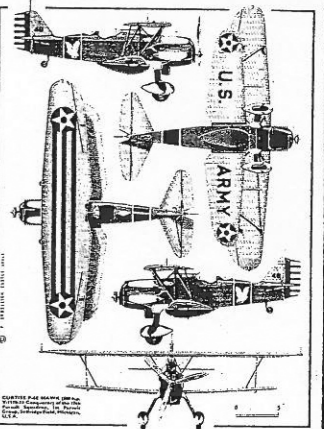
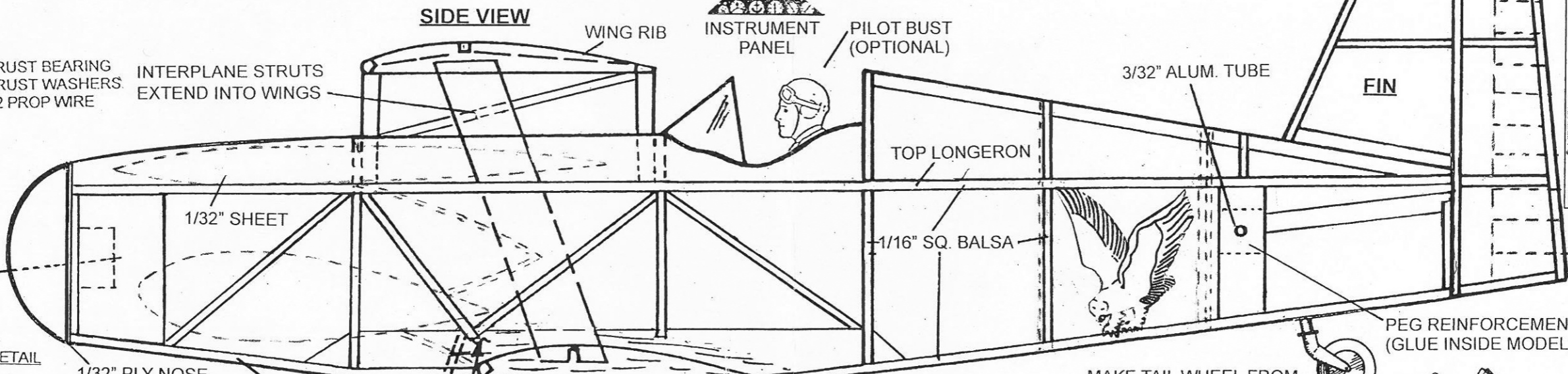
ELEVATE REAR OF RIGHT WING TIPS 3/32" FOR STABILIZING "WASHOUT"



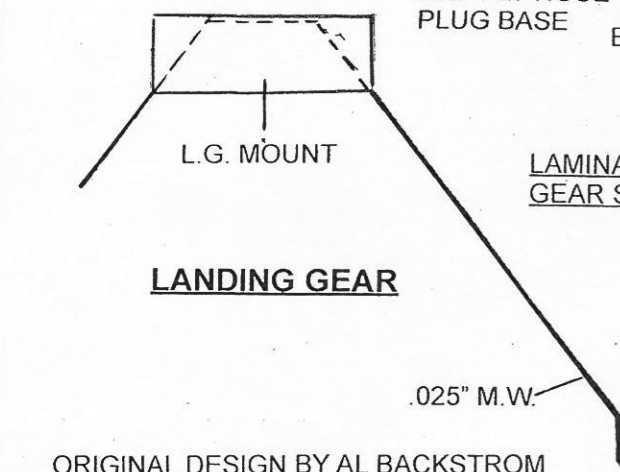
NOSE BLOCK/PLUG DETAIL



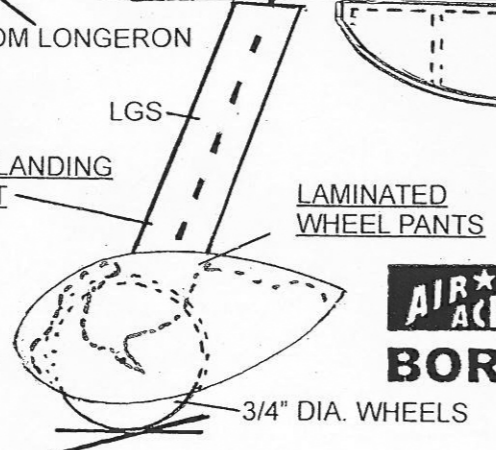
PROPELLER ASSEMBLY DETAIL



CURTIS P-6E HAWK THE INSPIRATION FOR THE BL P-6E



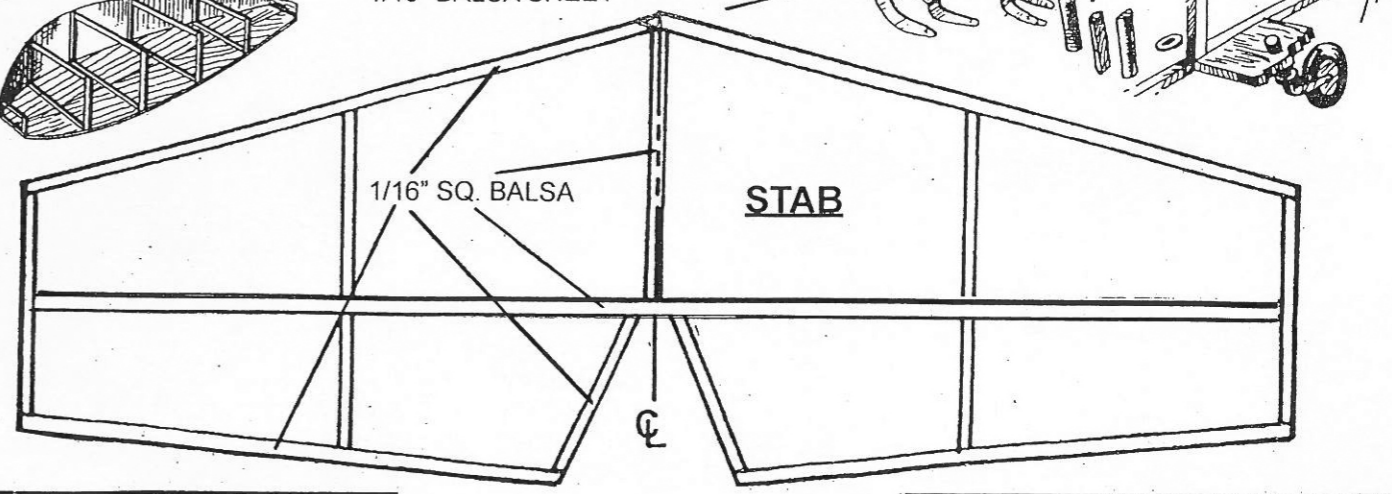
LANDING GEAR



MAKE FUEL TANK FROM 1/32" SHEET NOTE GRAIN FOR EACH PIECE

LAMINATED WHEEL PANTS

3/4" DIA. WHEELS

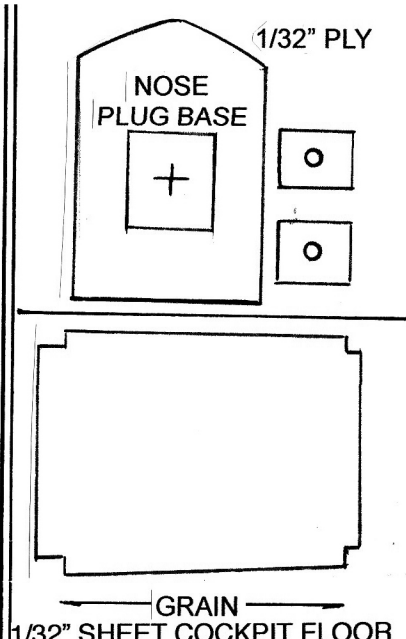
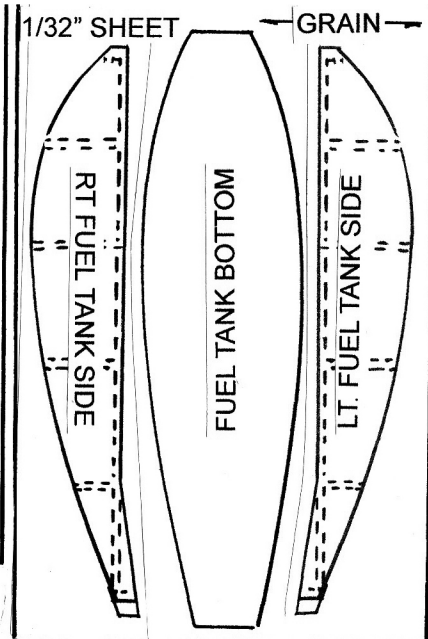
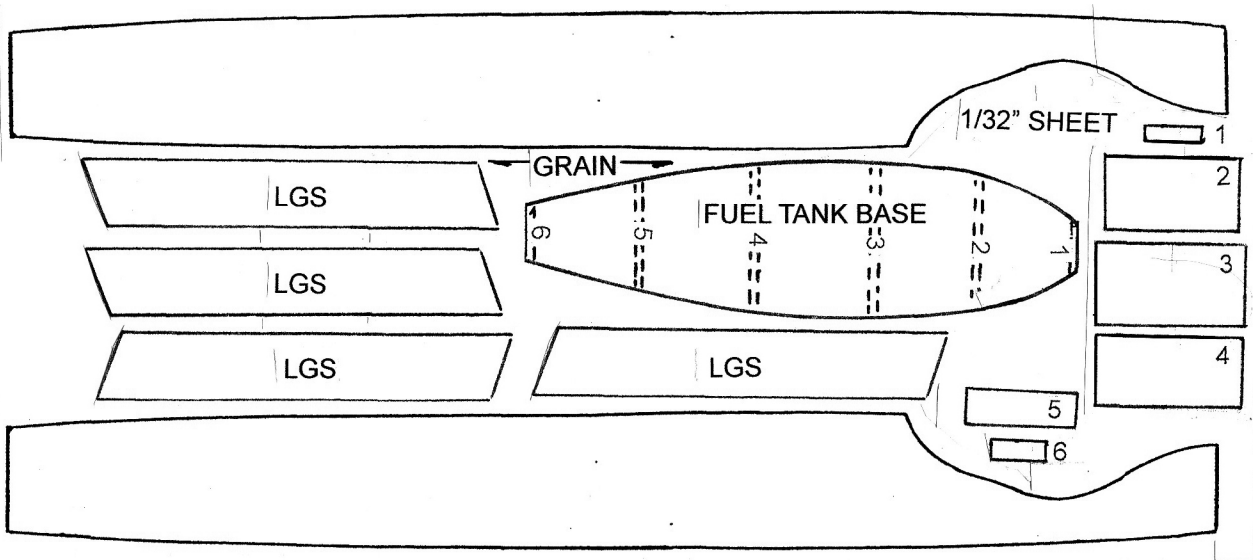


STAB

AIR ACE MODELS
BORN LOSER P-6E

COPYRIGHT 2011

ORIGINAL DESIGN BY AL BACKSTROM



BORN LOSER P-6E PARTS SHEET

