

SKY ZOOMER
R.C. GLIDER DESIGNED & D
BY CLARK SALISBUR
 12/2022
 Plan No. 1140 Sheet 1 of 2

BILL OF MATERIALS

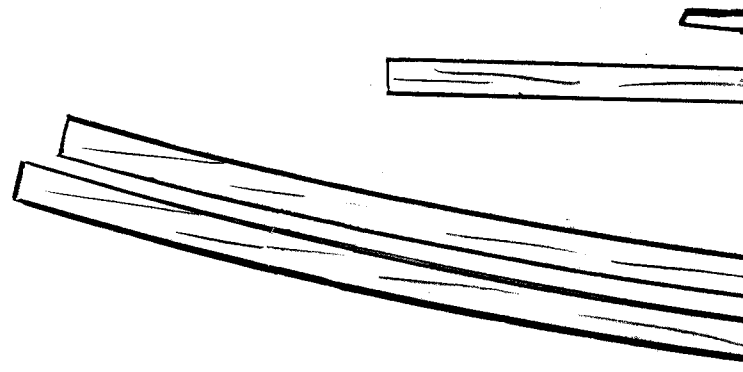
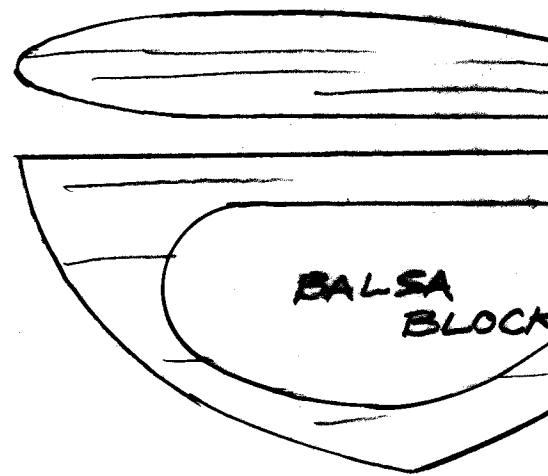
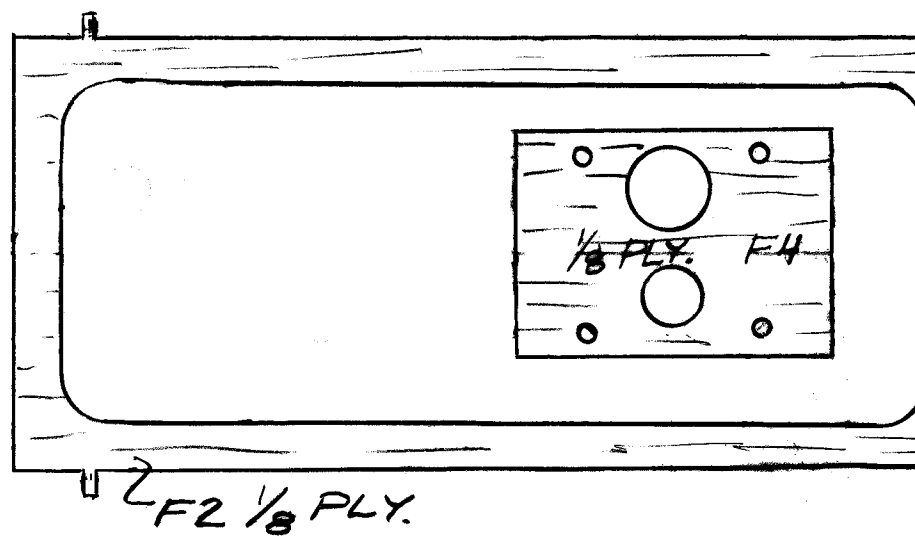
ITEM	QTY.	DESCRIPTION
1	2	3/16 x 2 x 36" BALS
2	3	3/32 x . x 36" BALS
3	2	1/8 x 1/8 x 36 SQ. BA
4	1	1/16 x 3 x 36 BALS
5	1	1/8 x 12 x 24 AIRCR
6	2	3/16 ROUND WOOD
7	1	3/16 x 3/4 x 36 BAL
8	1	1 x 3 x 12 BALS
9	1 PKG.	NYLON HINGES
10	1	E-FLITE 370 MOTOR
11	1	E-FLITE 30 AMP. L
12	1	E-FLITE BATT. 450.
13	1	RADIO & RECEIVER,
14	2	HITEC HS-55 FE
15	1 PKG	MICRO CONTROL HO
16	2	PROPELLER 7-5 FO
17	2 ROLLS	COVERING MATERIA
18	12"	1/16 DIA. STEEL RO
19	2	NYLON BOLT 1/4
20	3	NYLON SCREW #8
21	1	BATTERY HOLDER

DRAWN
BY

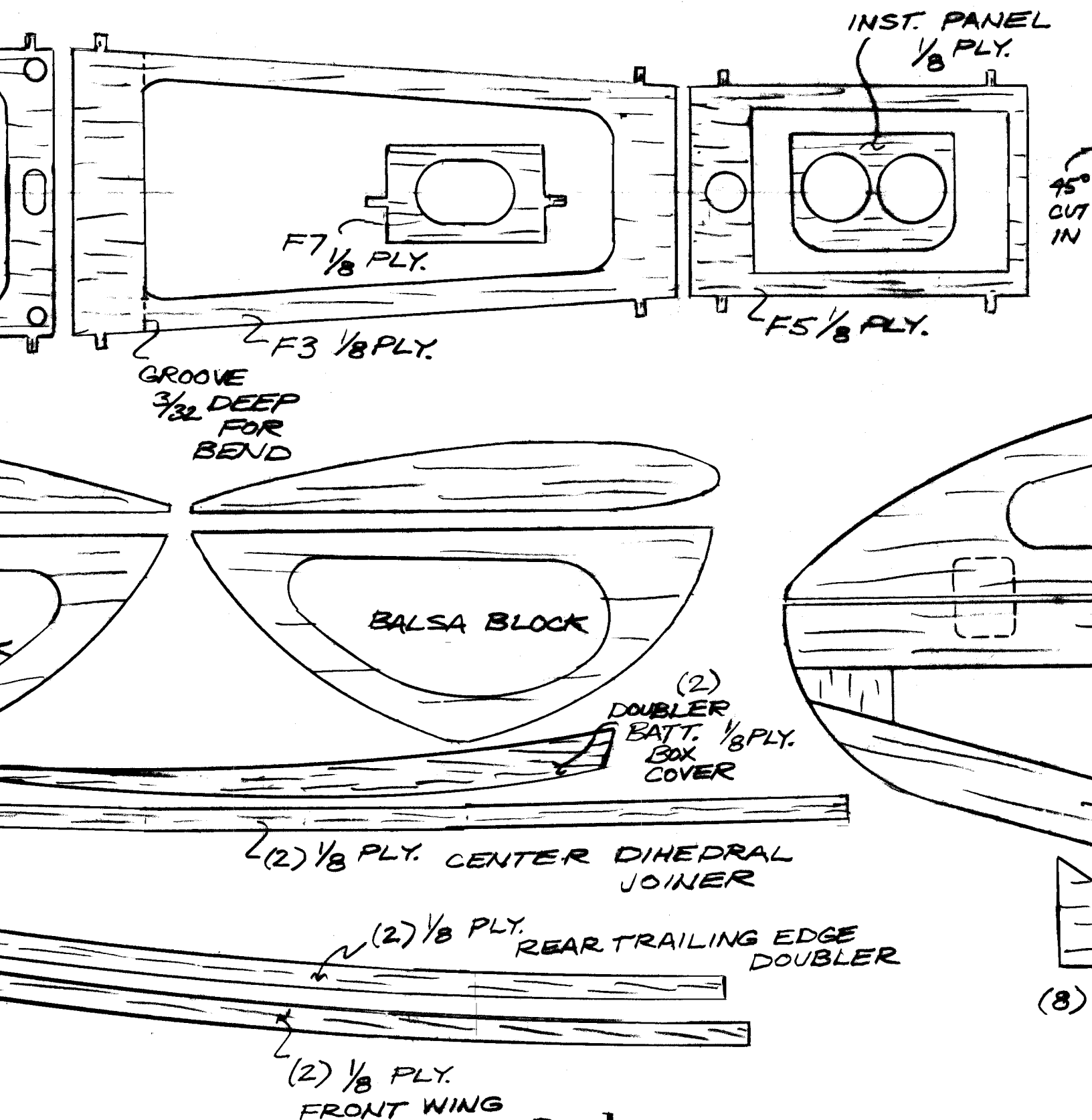
S
A
A
ALSA
SA
RAFT PLYWOOD
DOWEL
SA TRAILING EDGE
BLOCK
DUBRO #119
R 1080 KV
ESC (BRUSHLESS)
mah 3S OR EQUIV.
3CH. MIN.
ATHER SERVO
RNS DUBRO #919
R ELEC. #APC07050E
L (BLUE, YELLOW)
D

AVAILABLE
HOBBY STORE
"
"
"
"
"
"
"
HORIZON
HOBBY
PH. 888-959
- 2307
"
"
"
"
"

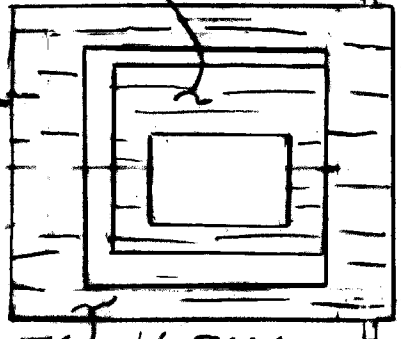
FOR 2 "AAA" DIGIKEY.COM



SPECIFICATIONS:
WINGSPAN - 48"

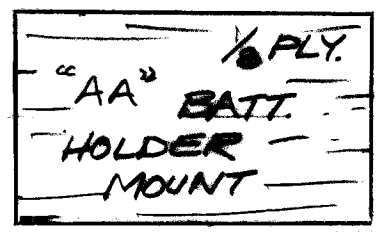
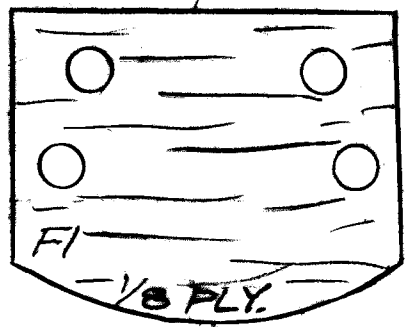


LIGHT SWITCH MOUNT
1/8 PLY.

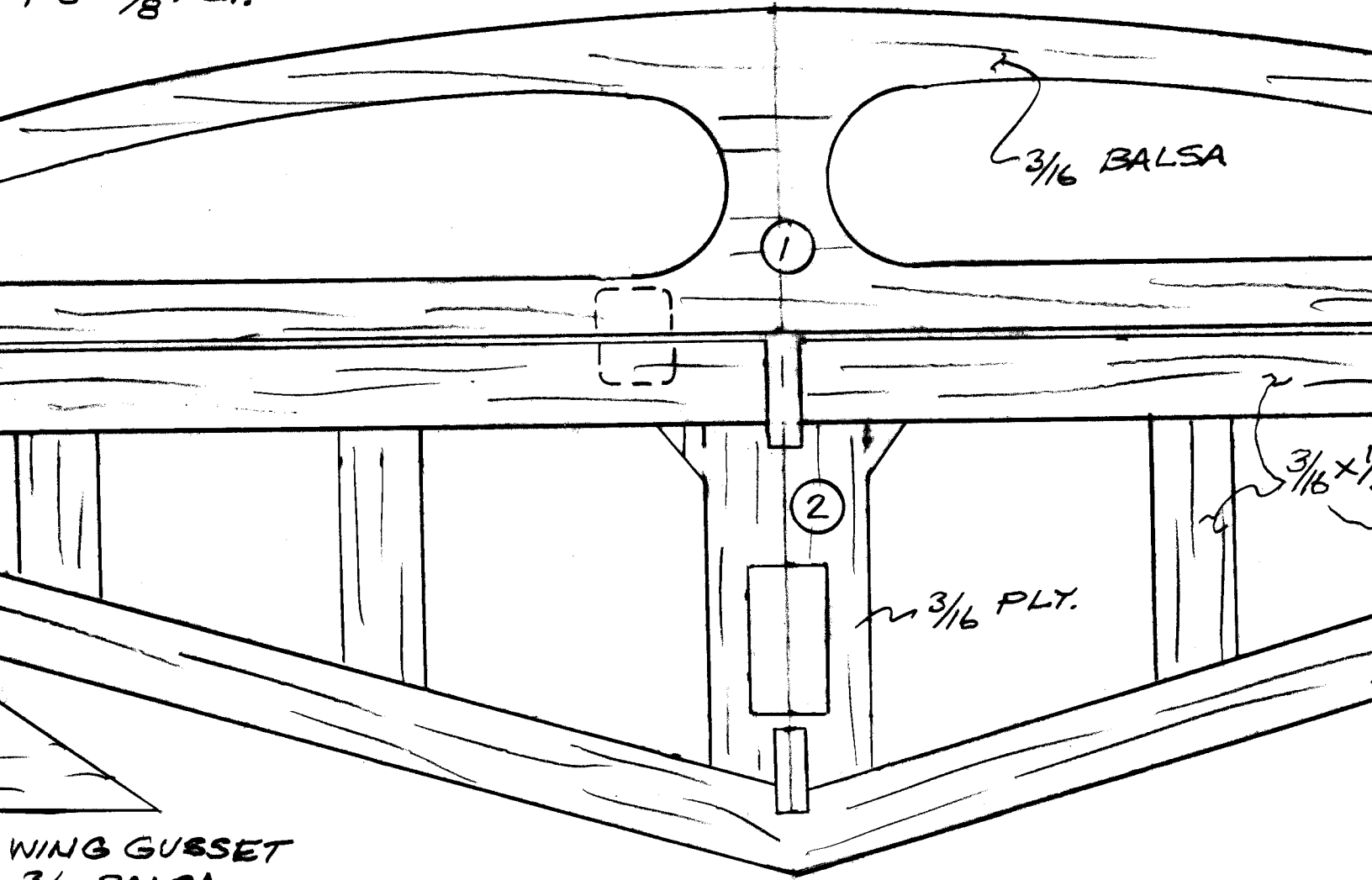


F6 1/8 PLY.

45° CUT INWARDS



F1 C



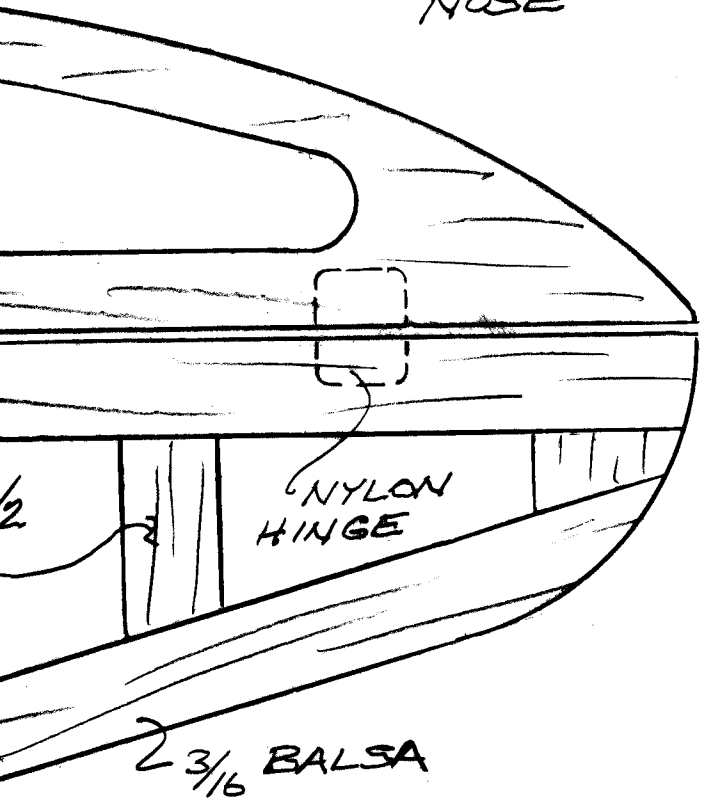
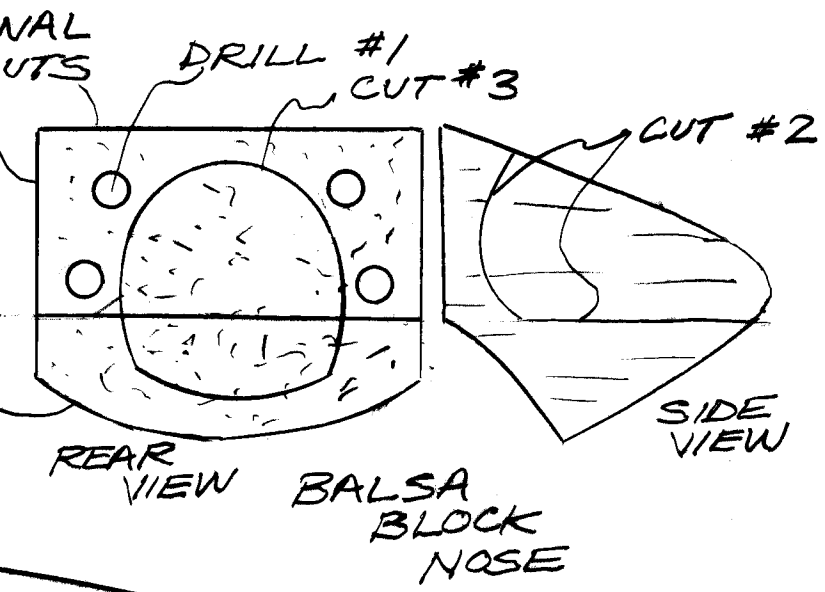
3/16 Balsa

3/16 + 1/16

3/16 PLY.

WING GUSSET
3/16 Balsa

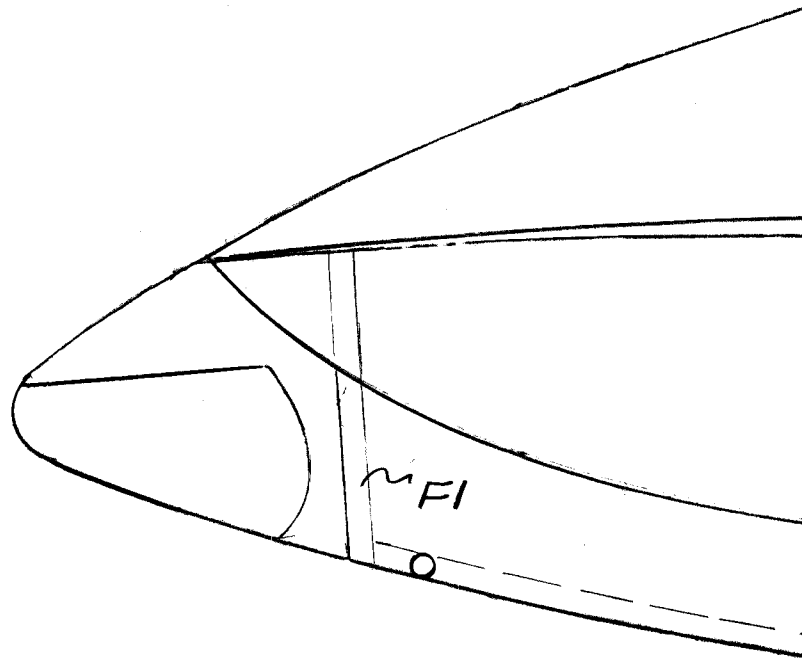
4



DO NOT GLUE ITEM 4
 UNTIL HORIZONTAL
 STAB. IS GLUED IN
 FINAL POSITION.

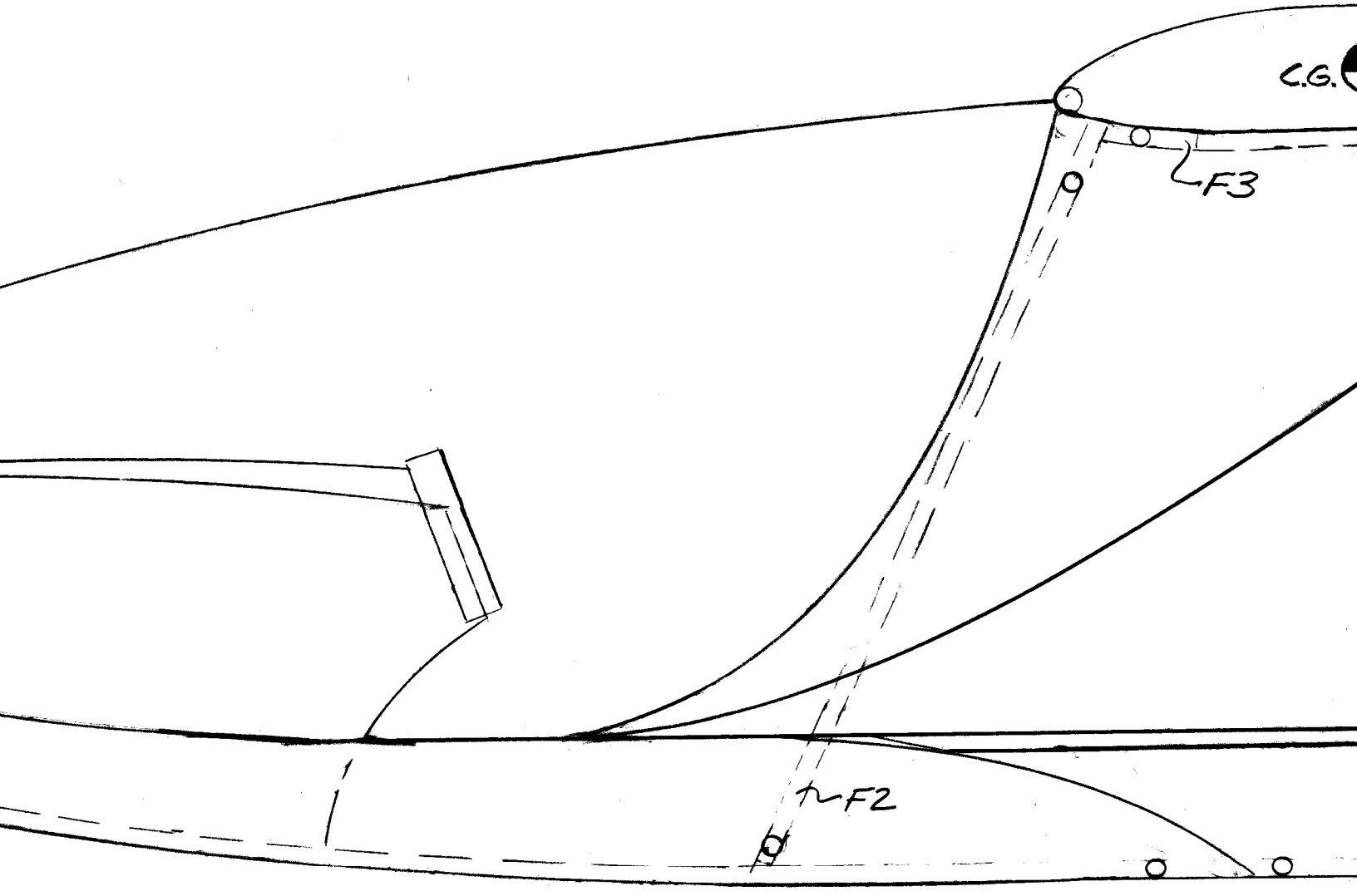
22	10	WHITE 5MM LED
23	10	BLUE 5MM LED
24	25 FT.	WHITE 30 ANG W
25	1	WINDSHIELD, HE

contact :



(2.4 - 3 VOLT) PH. 800-
(2.4 - 3 VOLT) 344-4539
WIRE "
HEAT FORMED
CLARKSALISBURY@HOTMAIL.COM

OVERALL LENGTH - 35"
HEIGHT - 8.4"
WEIGHT (W/BATTERIES) - 1 L
DRIVE BATTERY - 3S LI POLY
3 CHANNEL CONTROL
7" DIA x 5" PITCH PROPELLER



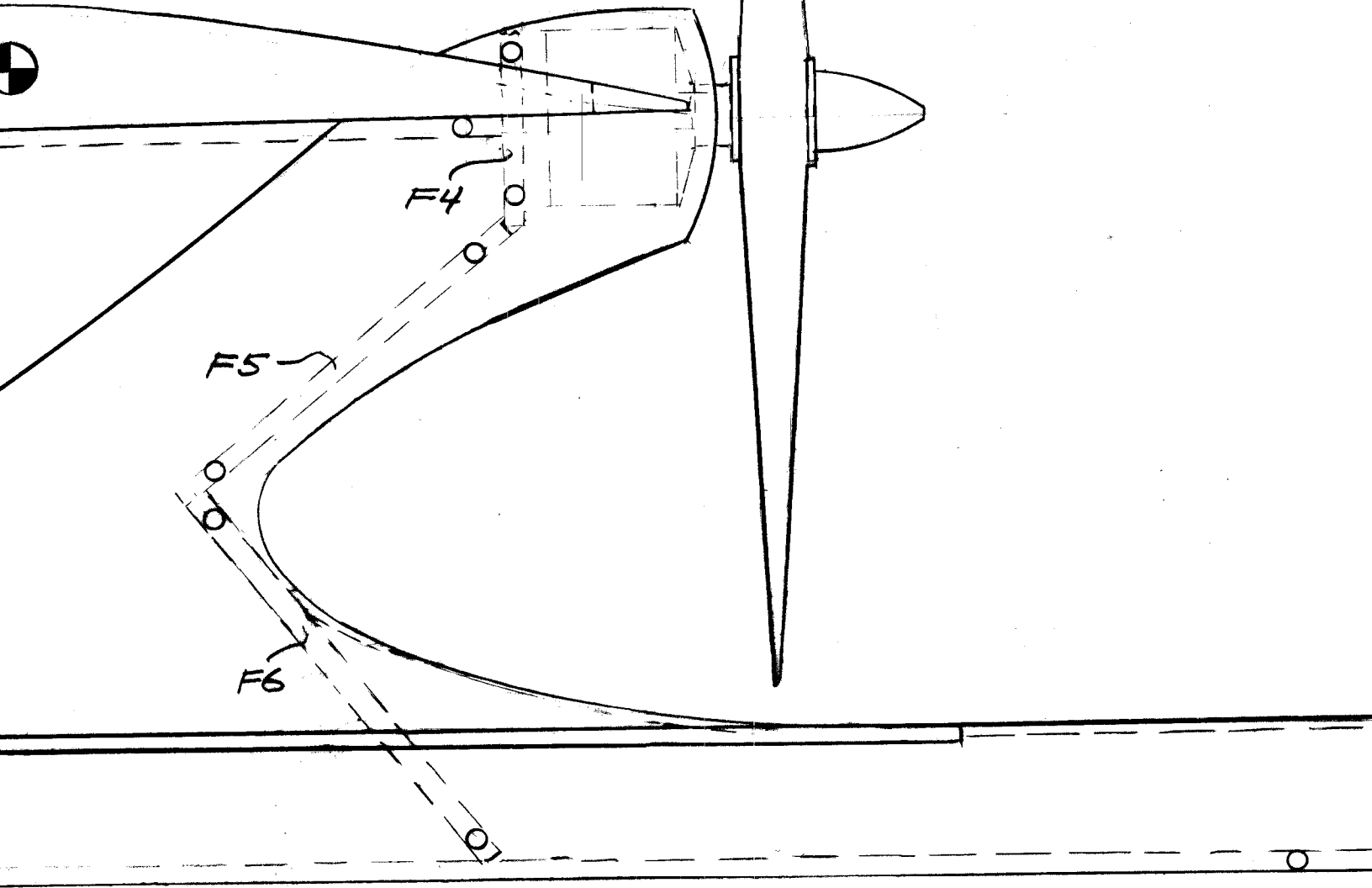
DOUBLER

B. 802.

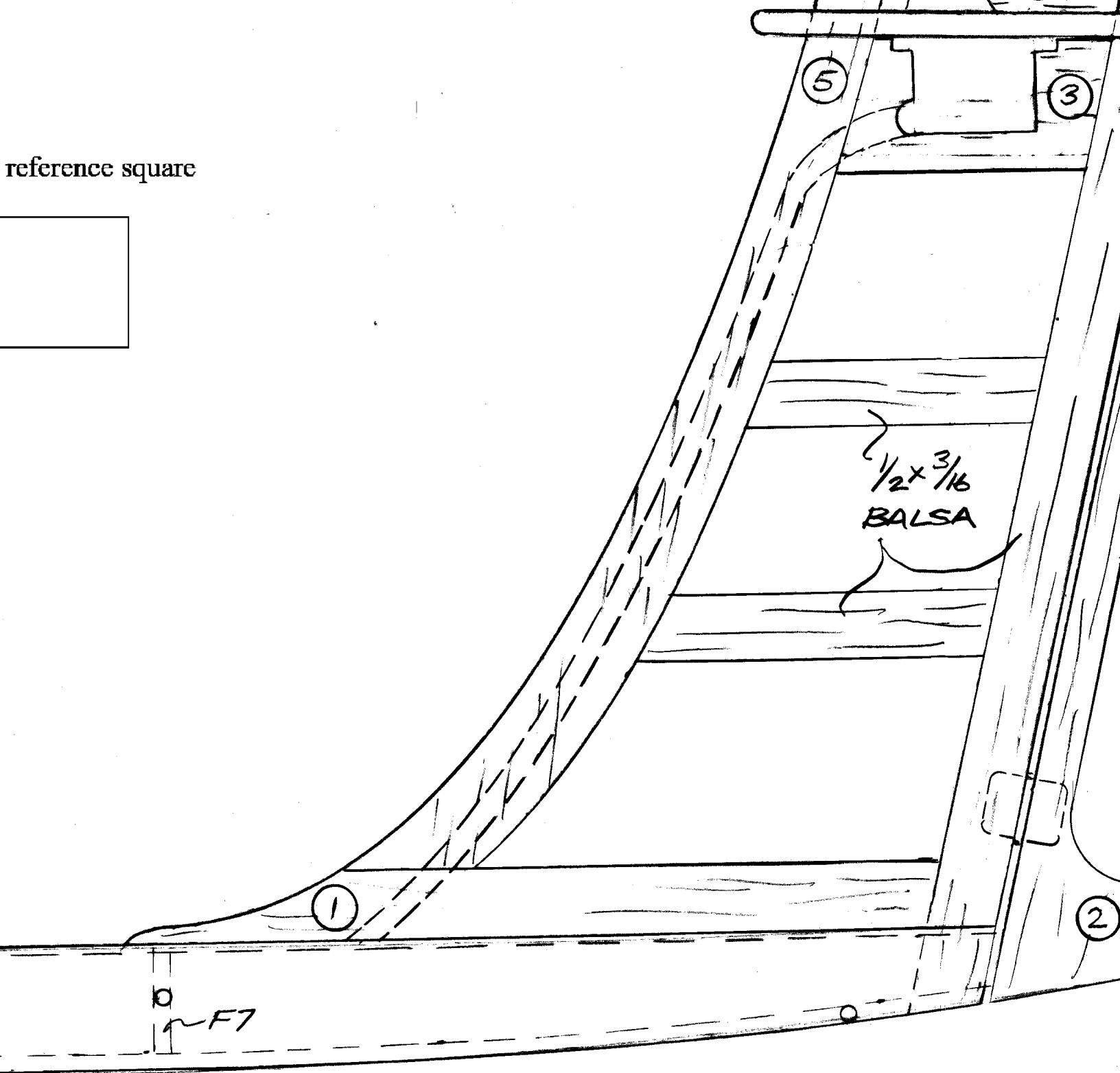
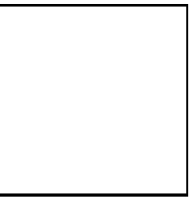
450 m.a.h.

R

1 inch

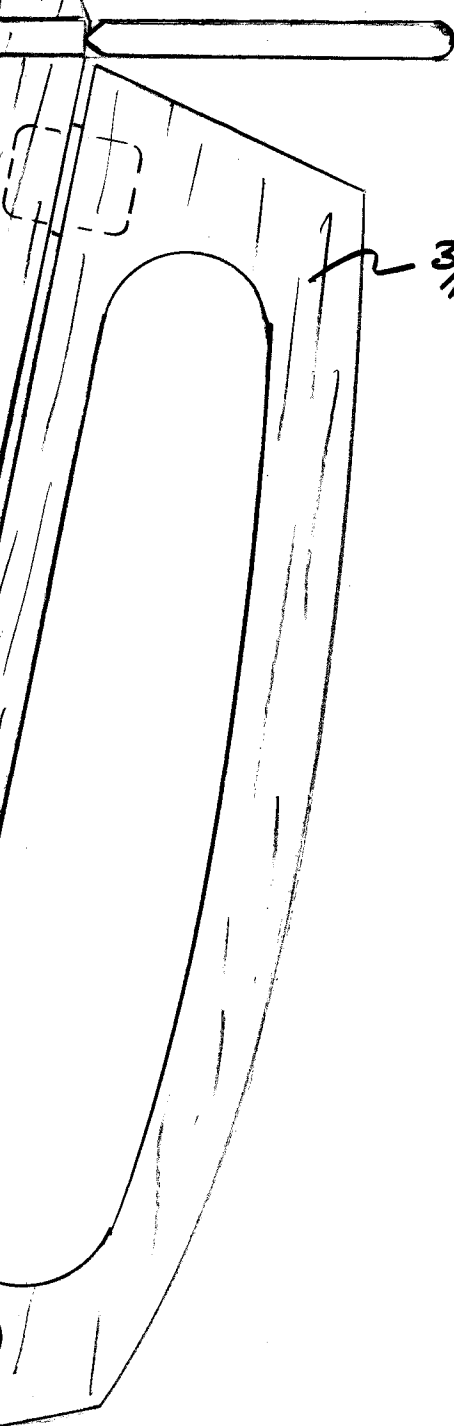


reference square



$\frac{1}{2} \times \frac{3}{16}$
BALSA

0
F7



1 3/16 Balsa

Copyright 2023



and **ModelAviation**
Amateur Modelers' Society

Copying for resale of this drawing without
the written approval or consent of AMA
is expressly prohibited.