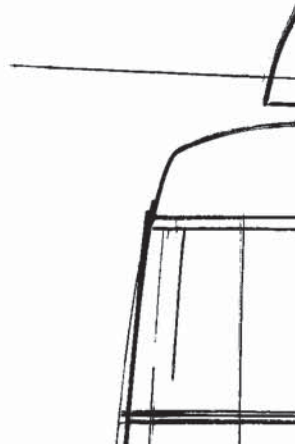
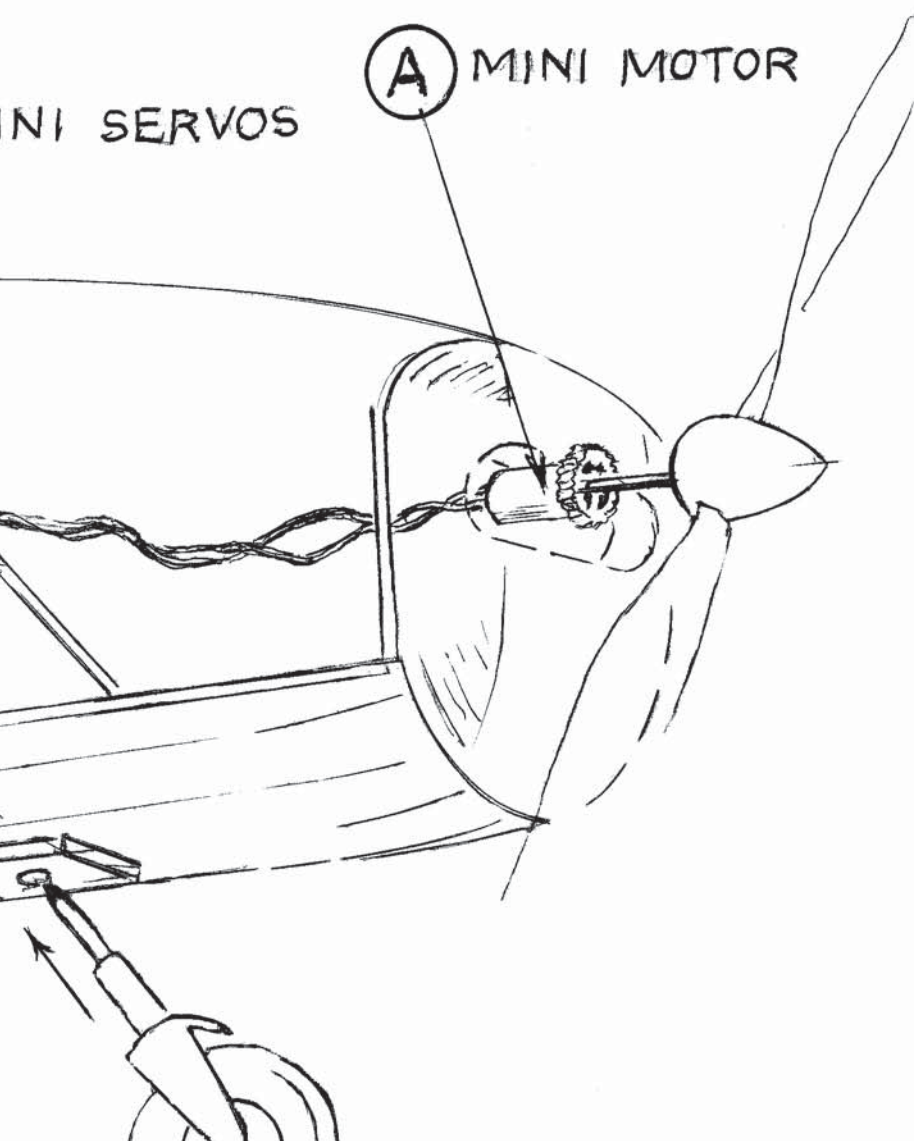
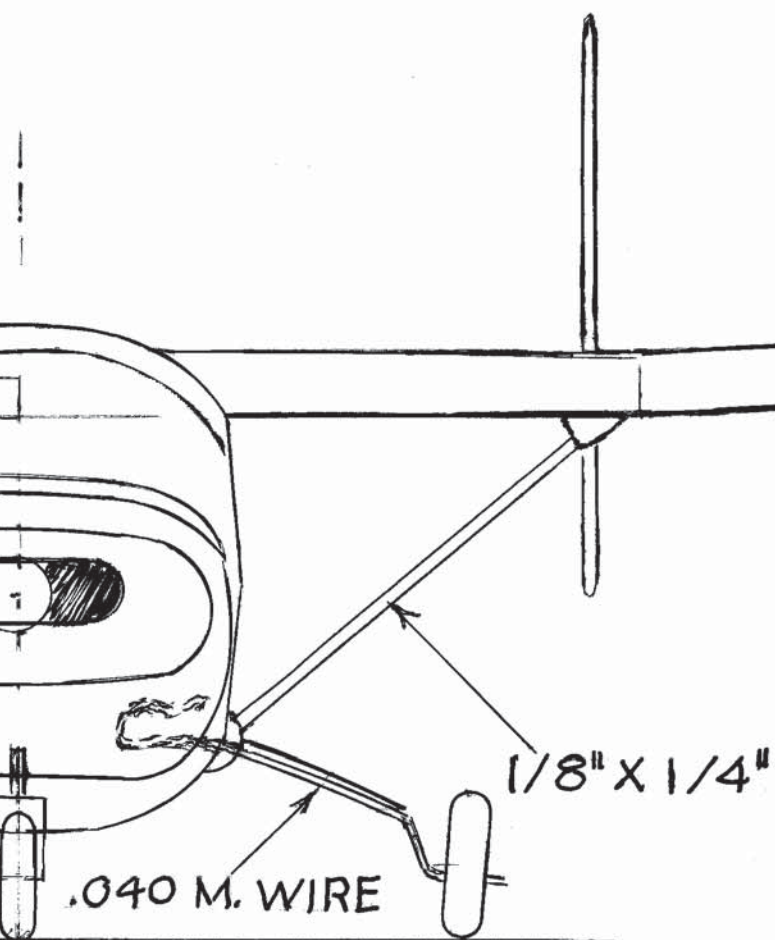


NI SERVOS

A MINI MOTOR

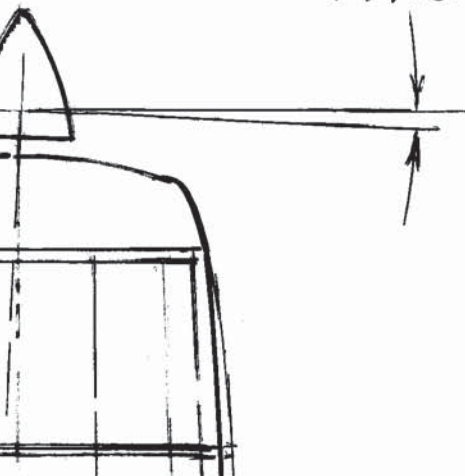




Cessna Skyimas

WINGSPAN ~ 22-1/2"
LENGTH ~ 17-1/2" (S
DESIGN & DWG. ~ TOM S

APPROX, 3°



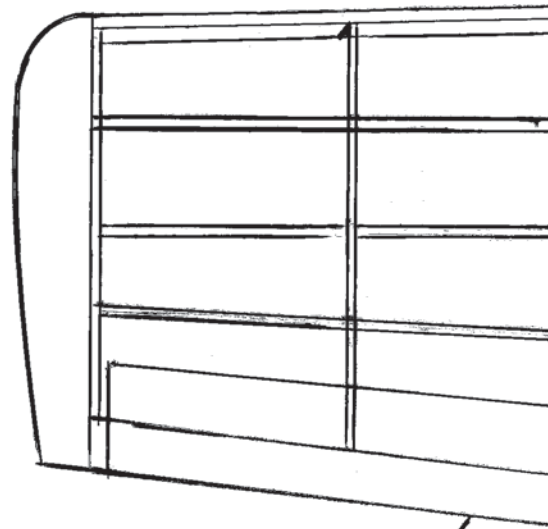


ter 337 F

(SEMI~SCALE)

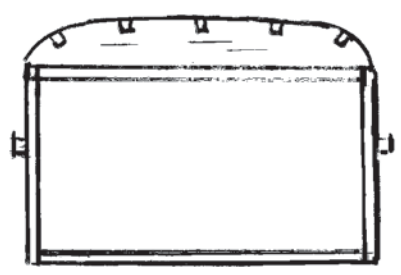
SANDOR~7/16/014

(B)



1/8" X 1/4" LHT. BALS

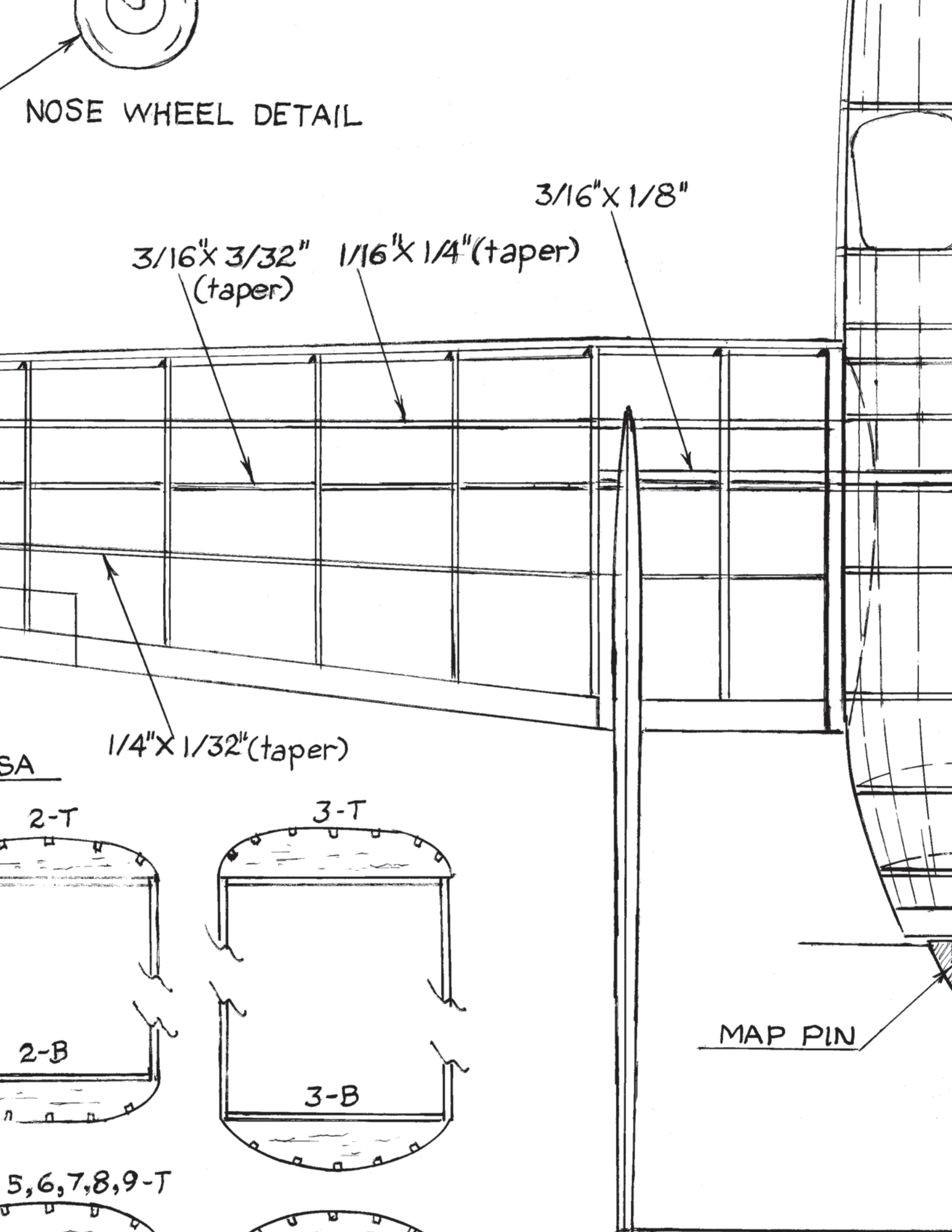
1-T



4-T



NOSE WHEEL DETAIL



$3/16" \times 1/8"$

$3/16" \times 3/32"$ (taper)
 $1/16" \times 1/4"$ (taper)

$1/4" \times 1/32"$ (taper)

SA

2-T

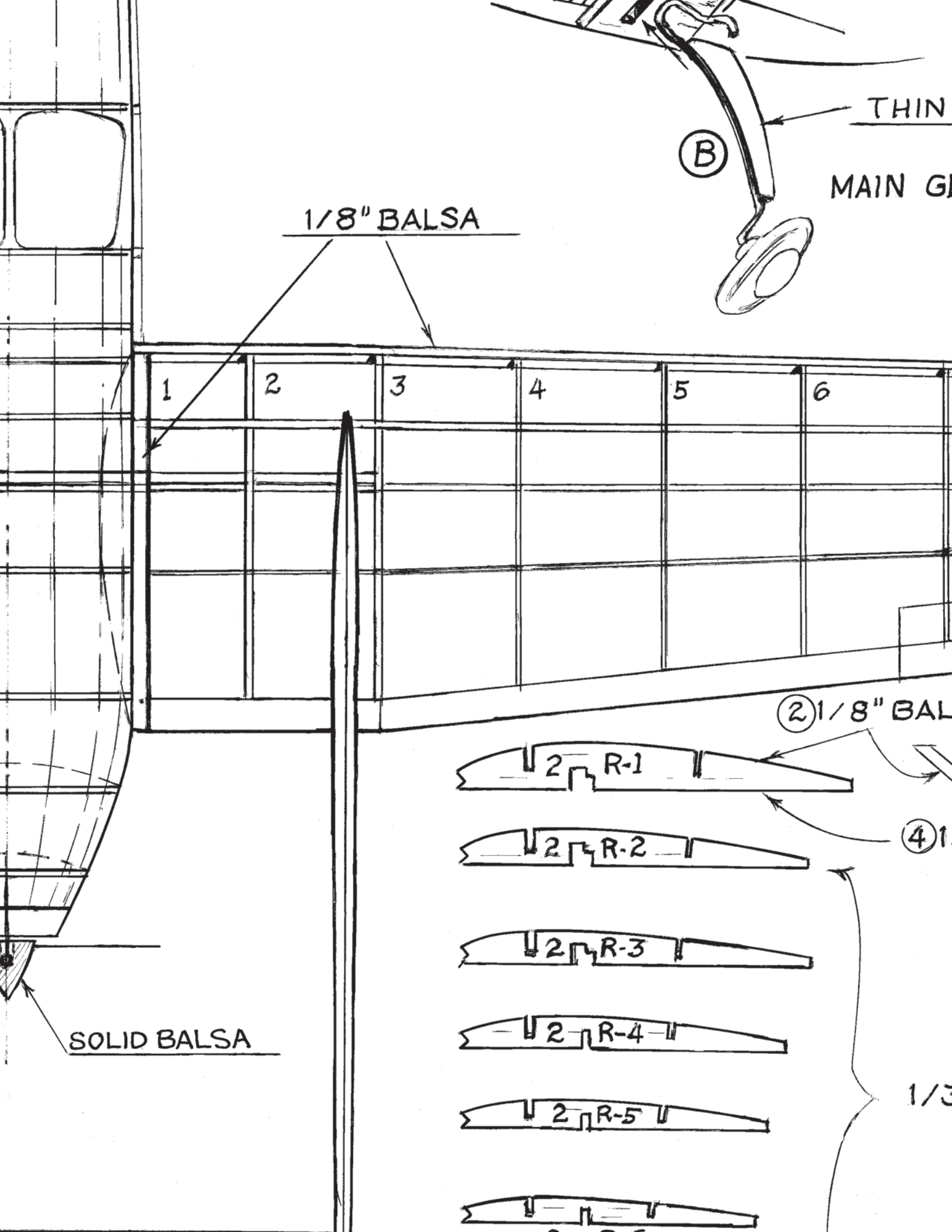
3-T

2-B

3-B

MAP PIN

5,6,7,8,9-T



THIN

(B)

MAIN G

1/8" Balsa

1

2

3

4

5

6

(2) 1/8" BAL

2 R-1

(4)

2 R-2

2 R-3

2 R-4

2 R-5

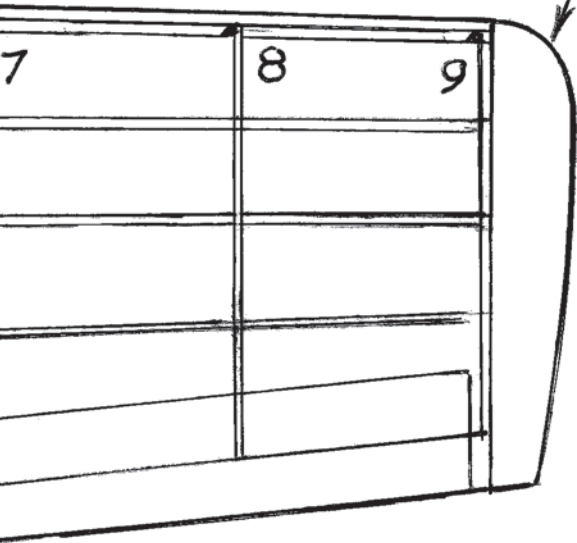
1/3

SOLID Balsa

ALUMINUM

REAR DETAIL

3/16" Balsa

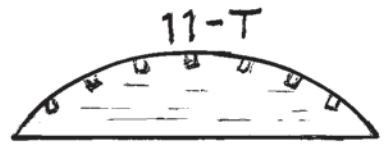
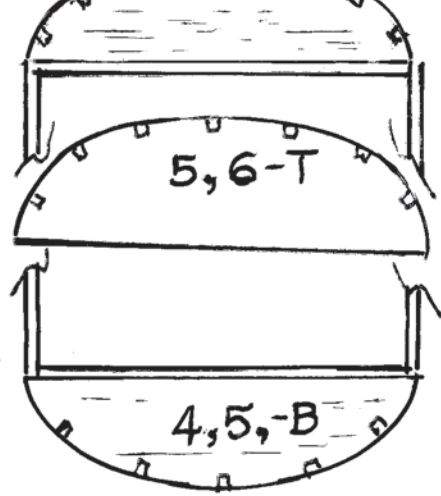


.SA

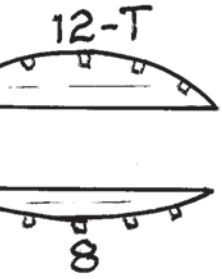
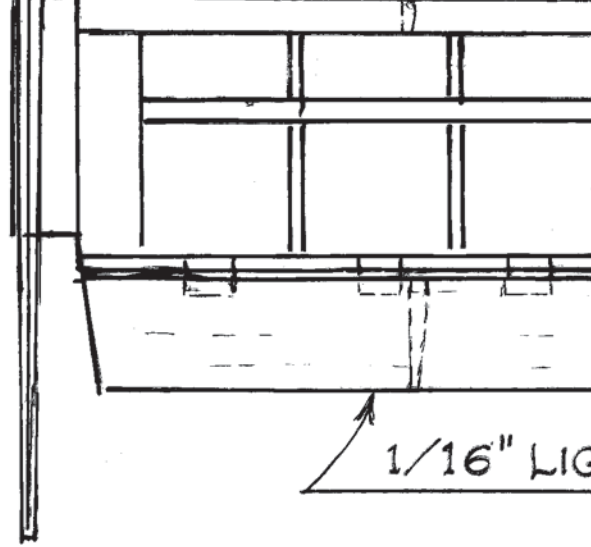
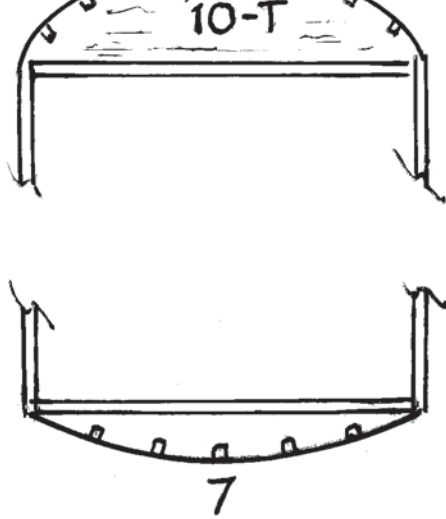
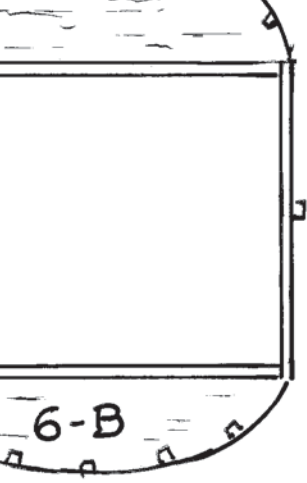


3/16" B.

3/32" Balsa



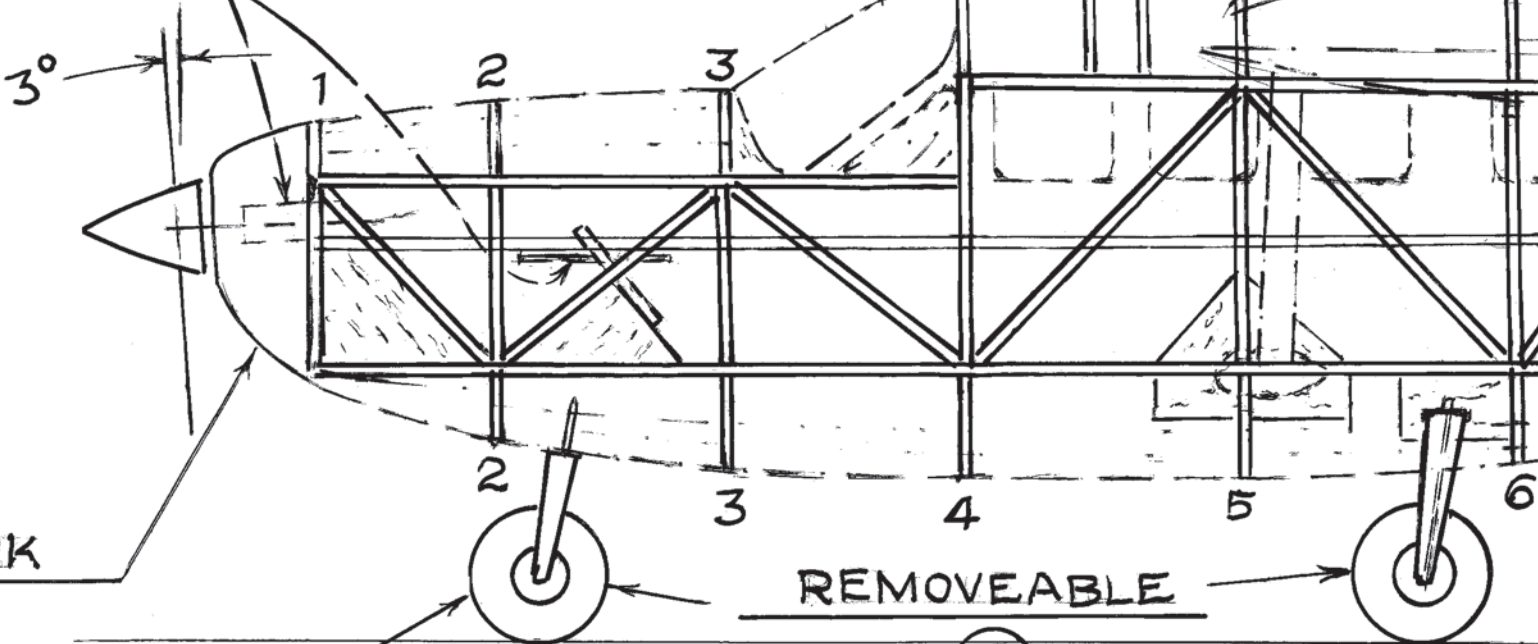
BALSA B



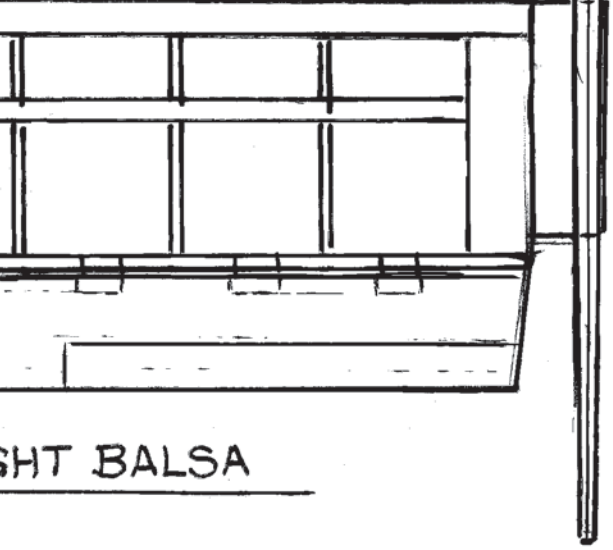
REMOTE
MINI ELECTRIC (A)
WITH SPEED CONTROL

VACCU FORM

ALL



3/4" D. PLASTIC



LIGHT Balsa

2 R-6



2 R-7

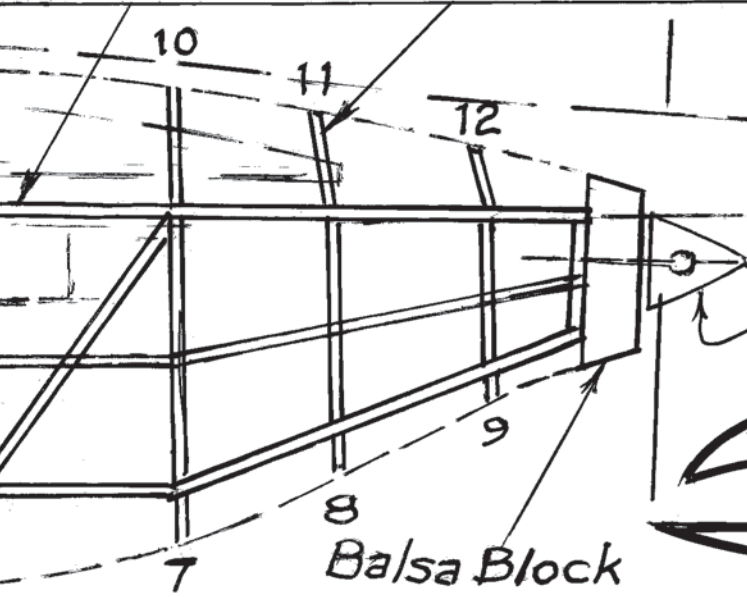


2 R-8



2 R-9

STRINGERS & FORMERS 1/16" LIGHT Balsa



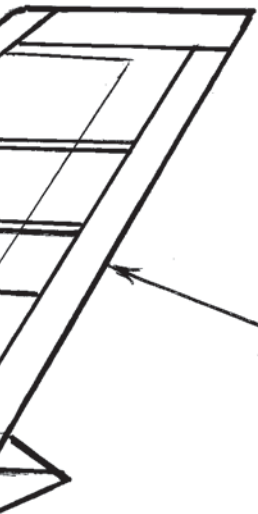
Balsa Block

Free Wheeling Prop.



1/8" LIGHT Balsa

TAIL SECTION



1/16" Balsa

BALSA

SUPPORT (LAM. 2 RQD.)