

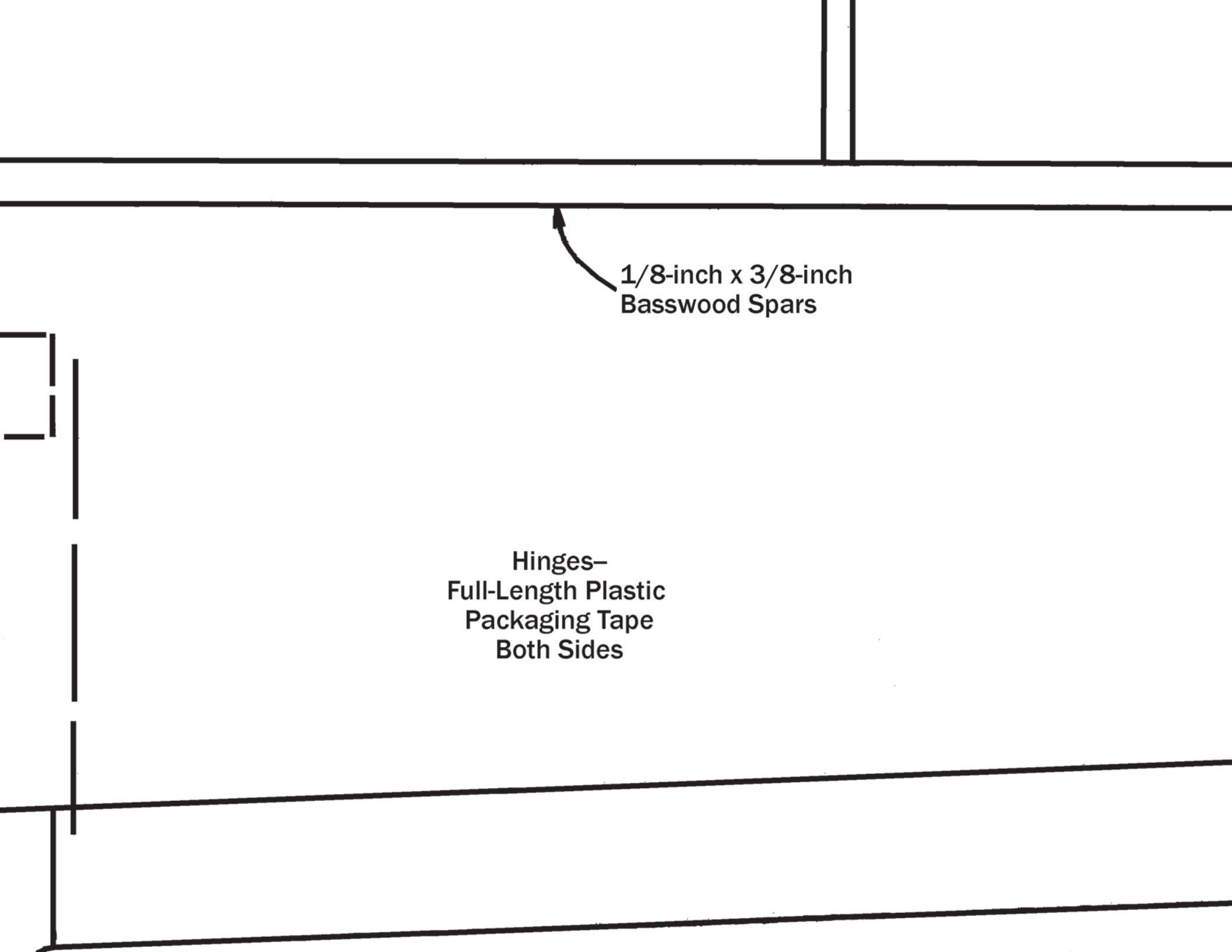


1/8-inch Plywood Joiner

The diagram shows a cross-section of a wing structure. A horizontal line at the top represents the wing's upper surface. A vertical line runs through the center, representing the wing's spine. A horizontal line below the upper surface is labeled '1/8-inch Plywood Joiner'. Below this, there are two vertical rectangular shapes, one on the left and one on the right, representing aileron servo locations. The text 'Aileron Servo Location' is placed to the right of the right-hand servo shape.

Aileron Servo  
Location



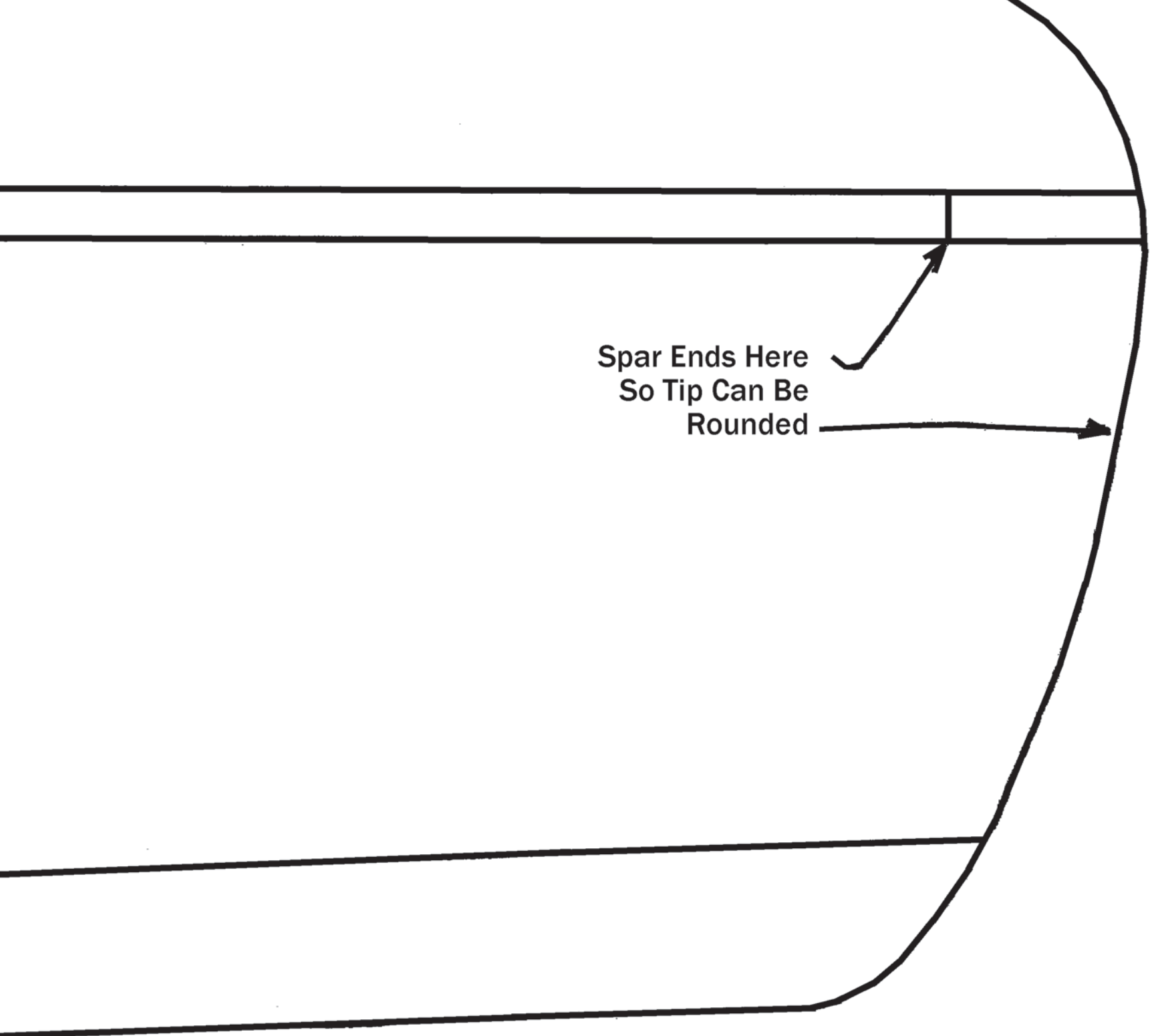


1/8-inch x 3/8-inch  
Basswood Spars

Hinges—  
Full-Length Plastic  
Packaging Tape  
Both Sides

The diagram shows a perspective view of a rectangular box. The top surface is a flat rectangle. The front and side surfaces are shown as trapezoids, indicating the box's depth. A curved arrow points from the text label to a horizontal line on the top surface. On the left side, a vertical line is shown, with a dashed line extending from the top edge down to the bottom edge, representing a hinge. The text labels are placed in the center of the top and front surfaces.

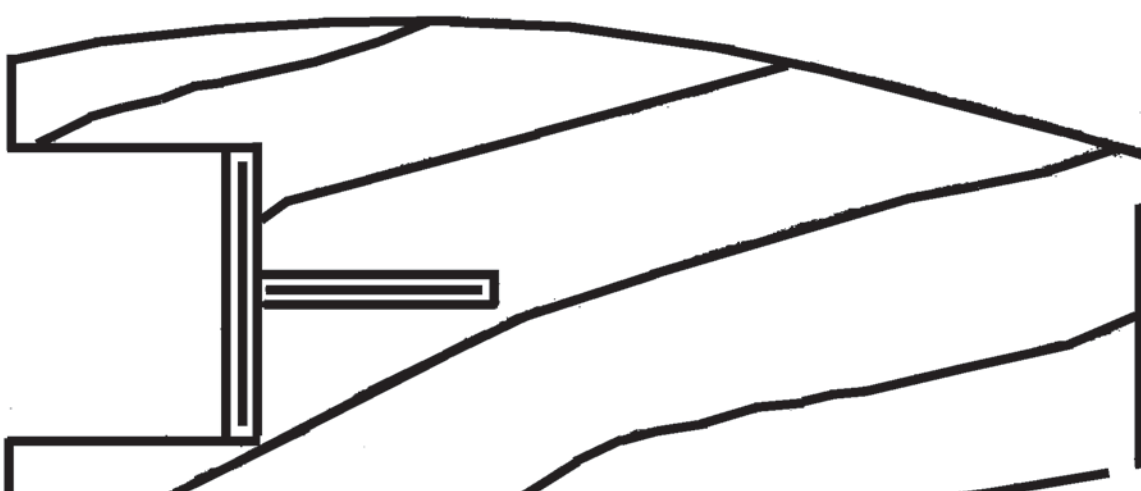
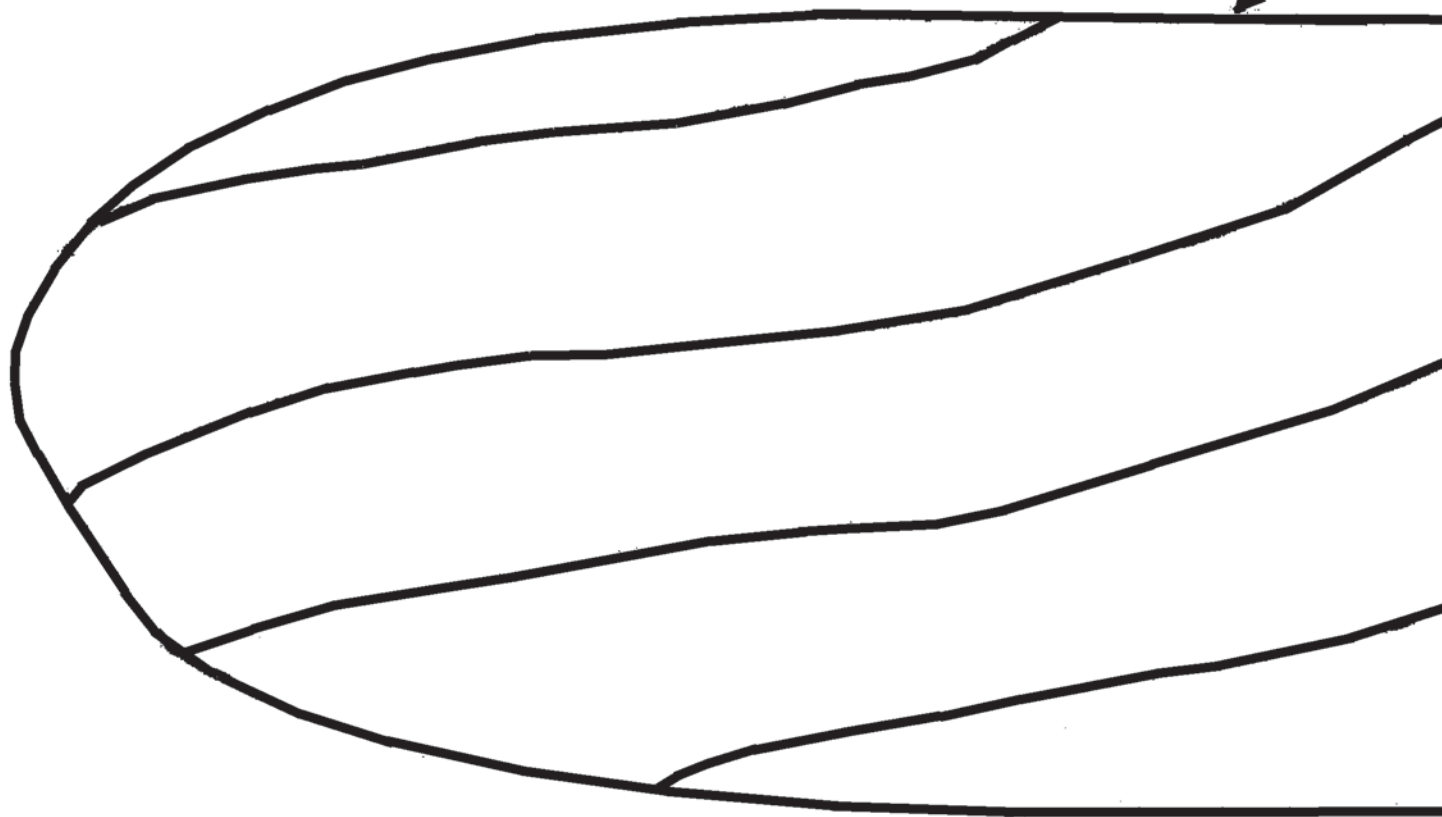
Hinges—  
Full-Length Plastic  
Packaging Tape  
Both Sides



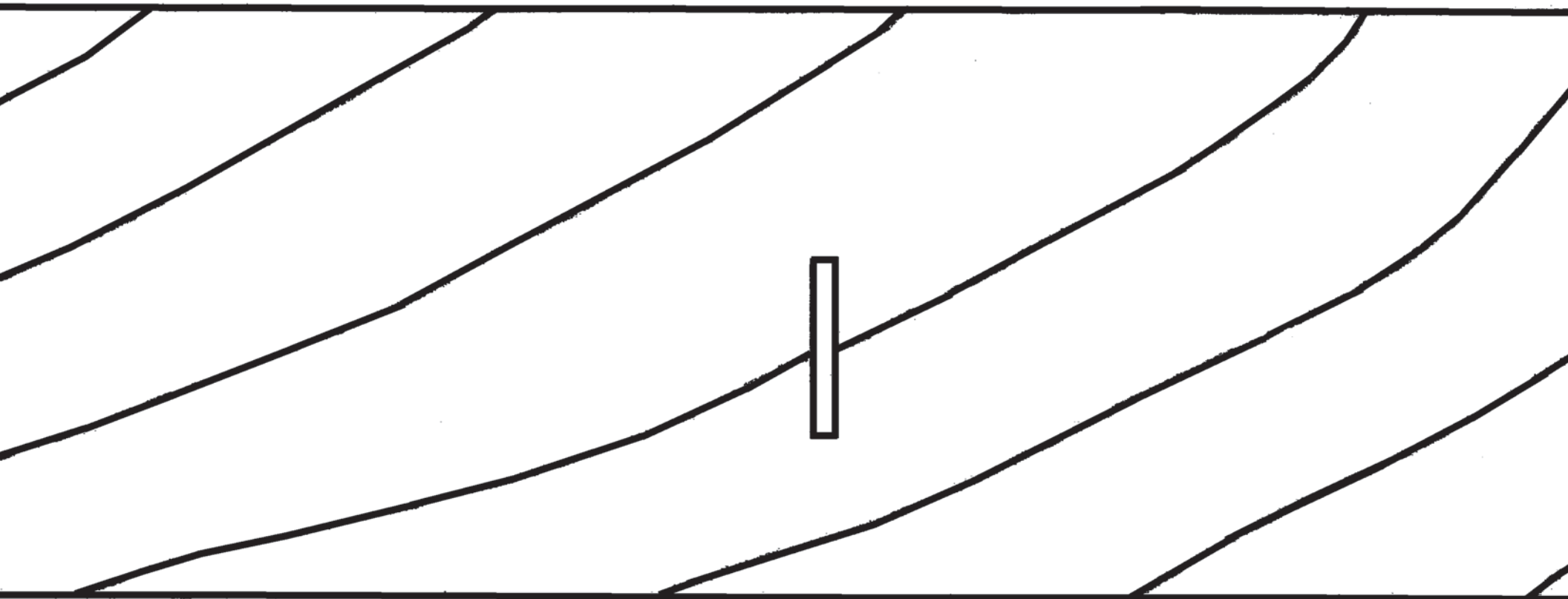
Spar Ends Here  
So Tip Can Be  
Rounded

Section A-A

1/32

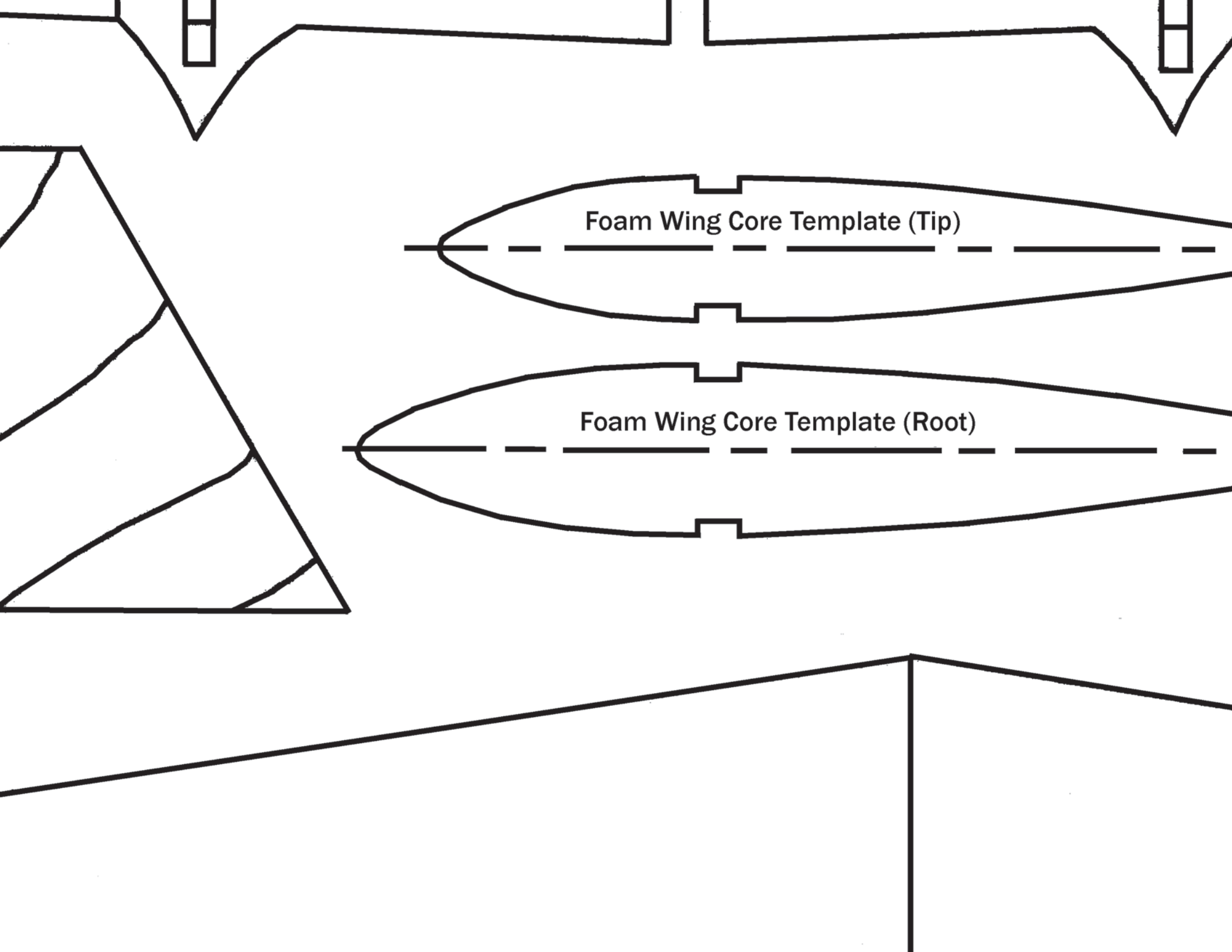


32-inch Plywood (Make 2)



Motor Mount  
Top View





Foam Wing Core Template (Tip)

Foam Wing Core Template (Root)



1/8-inch Plywood Wing Joiner

1/8-

1/4-  
Bassw



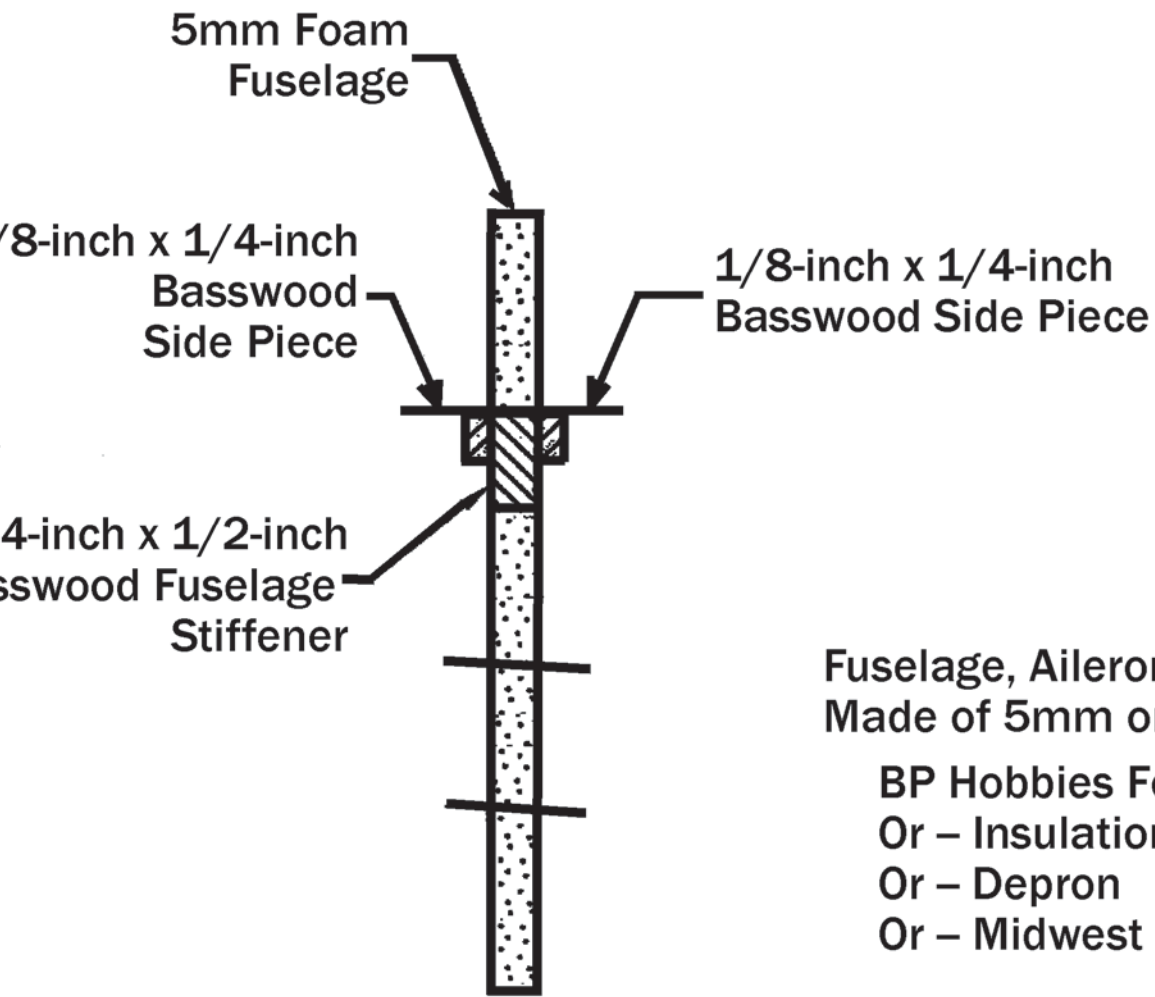
1/4-inch Basswood  
Trailing Edge



1/16-inch Plywood  
Control Horns

1/4-inch  
Basswood

Section A-A



Fuselage, Ailerons, Nacelles, and Tail Surfaces  
Made of 5mm or 1/4-inch Foam From:

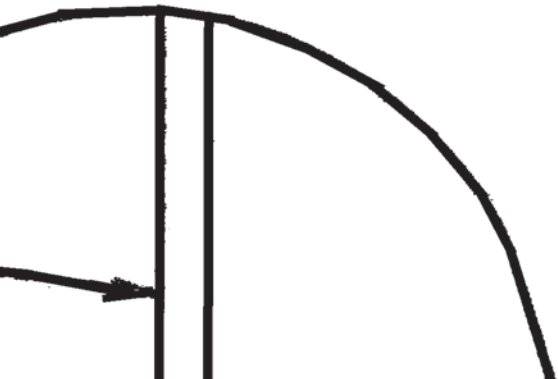
- BP Hobbies Foam
- Or – Insulation Foam
- Or – Depron
- Or – Midwest CellFoam 88

Foam Wing Cores Available From:

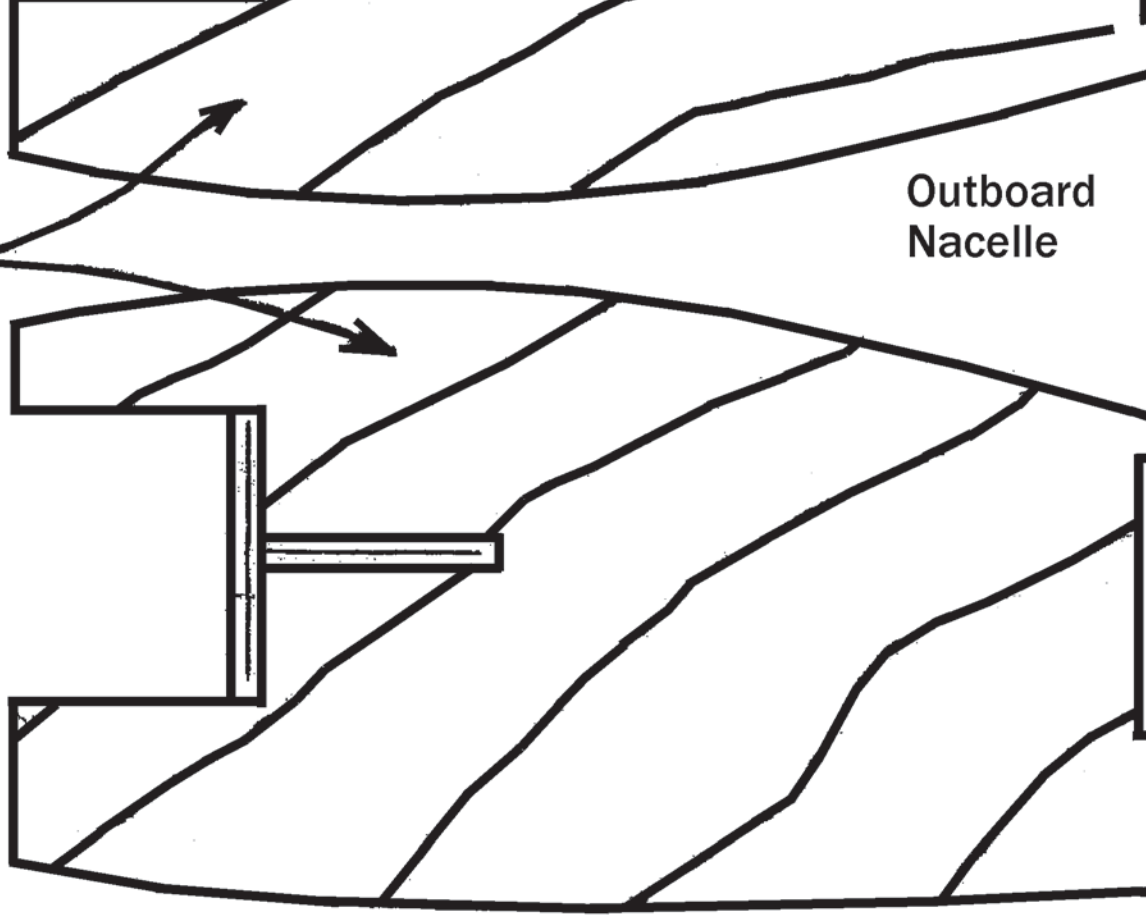
The Core House  
34 Sweet Arrow Dr.  
Hummelstown PA USA 17036  
(717) 566-3810  
philcartier@earthlink.net

Or

Robin's View Productions

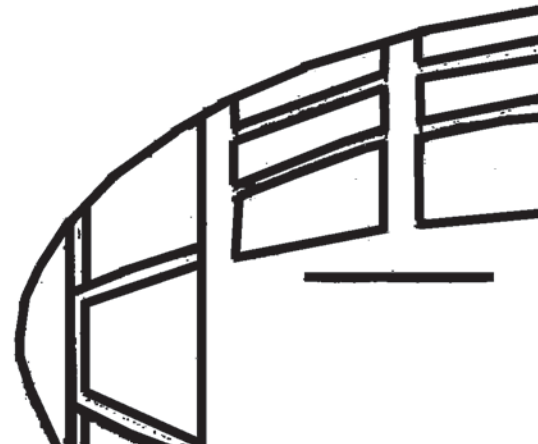


1/32-inch  
Plywood Doublers



Outboard  
Nacelle

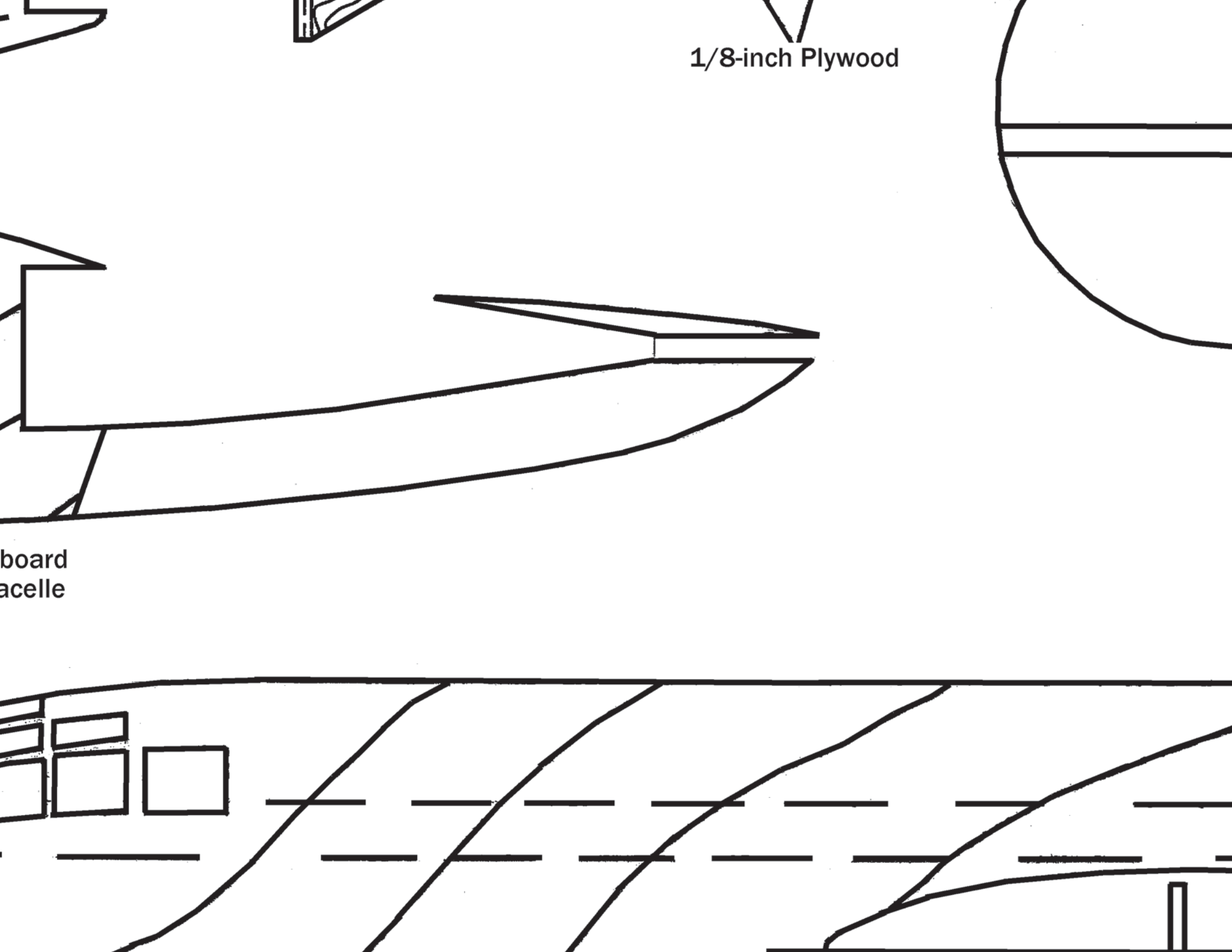
Inbo  
Nace

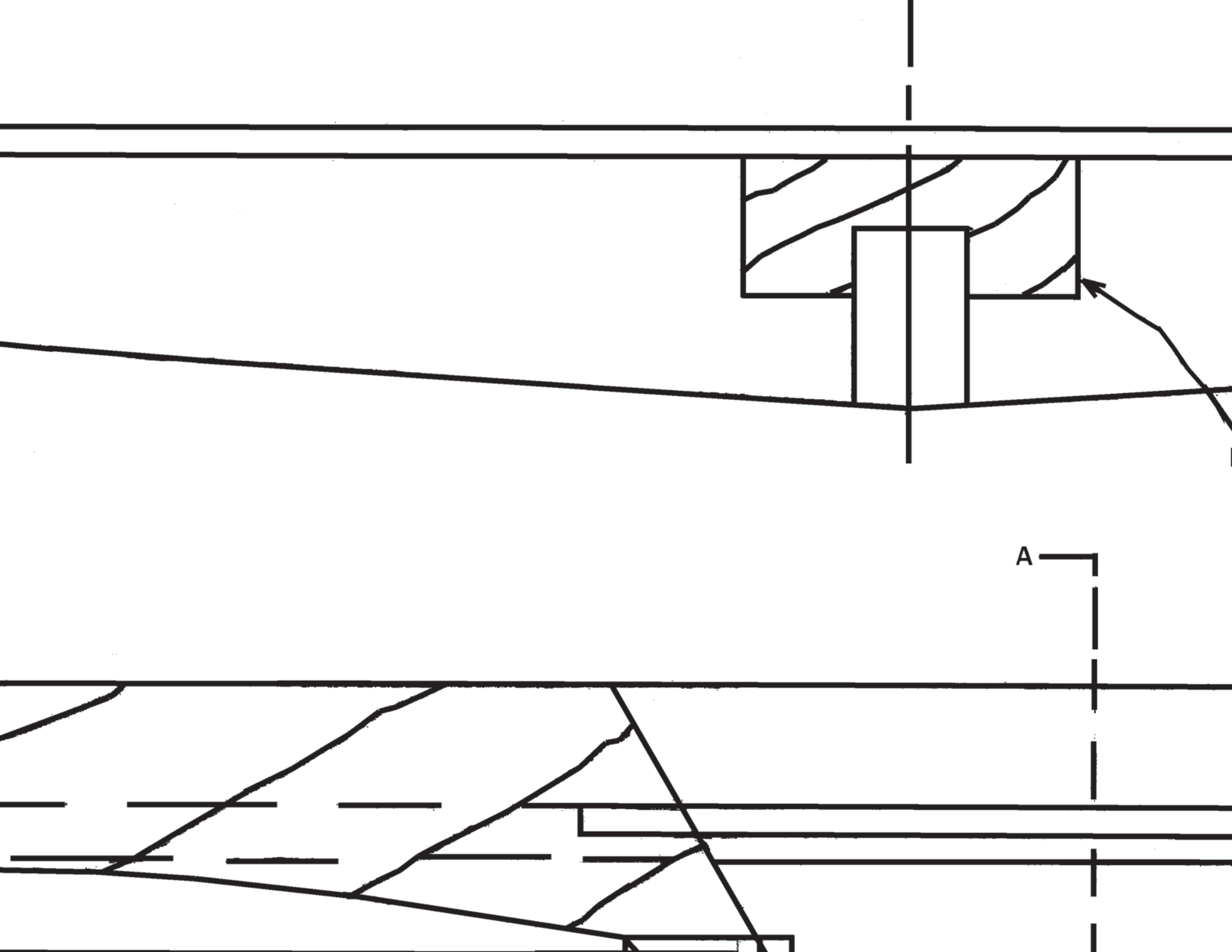


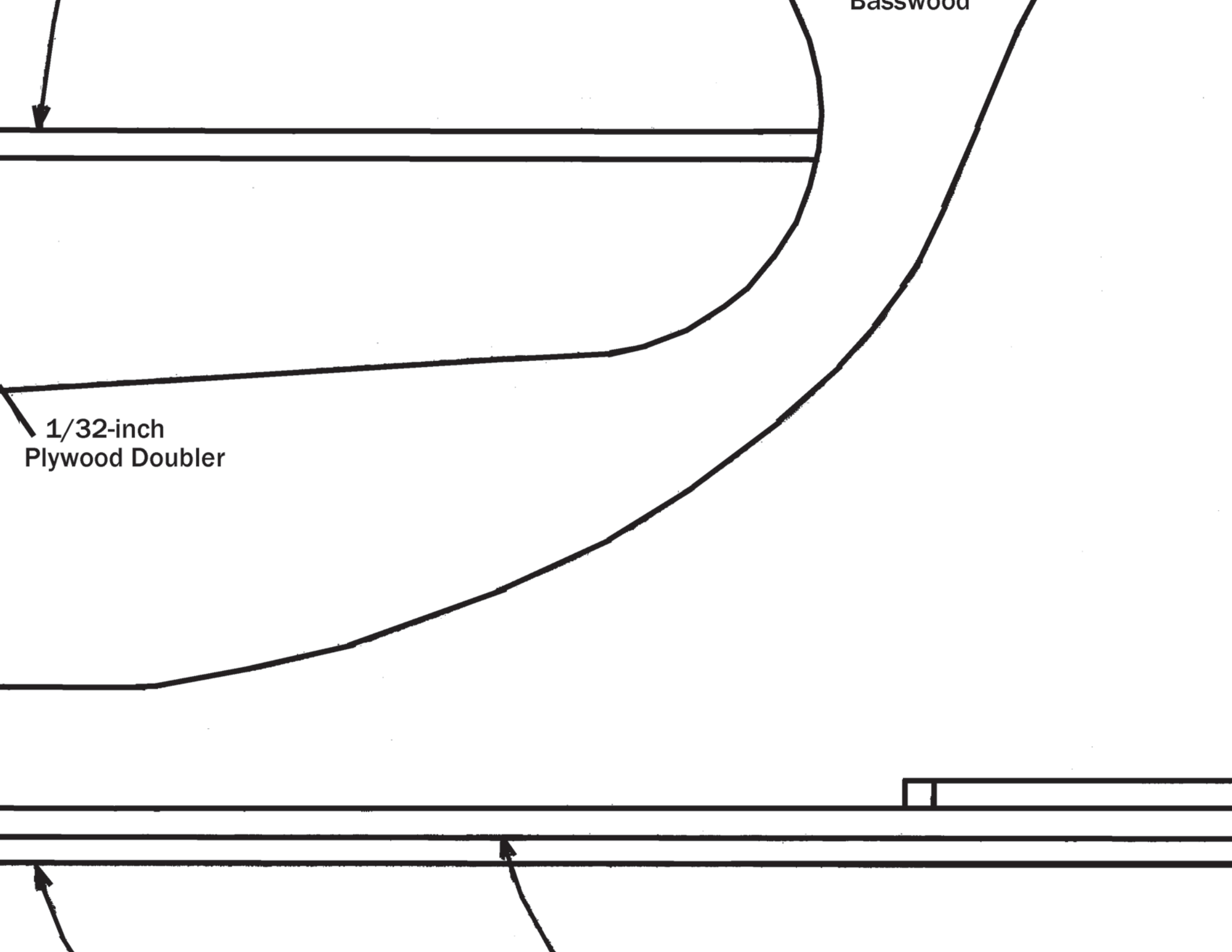


1/8-inch Plywood

board  
acelle





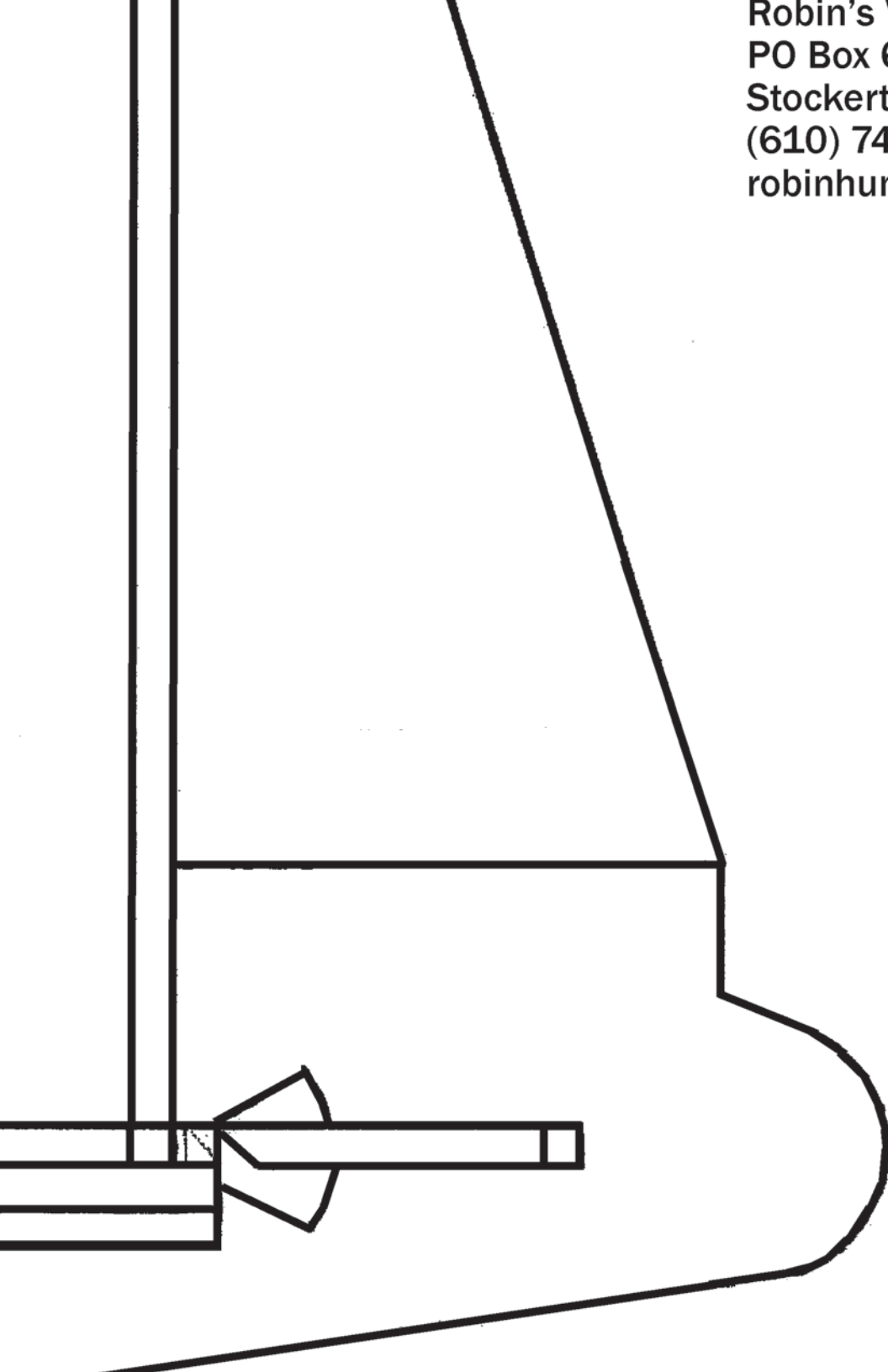


Basswood

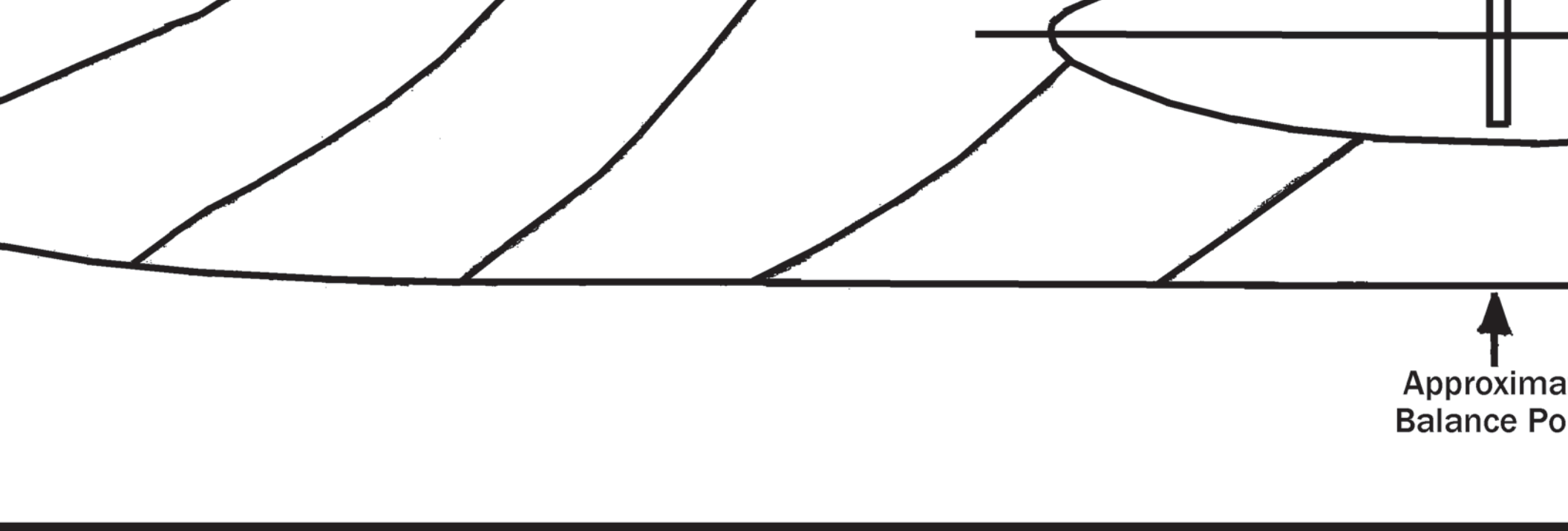
1/32-inch  
Plywood Doubler



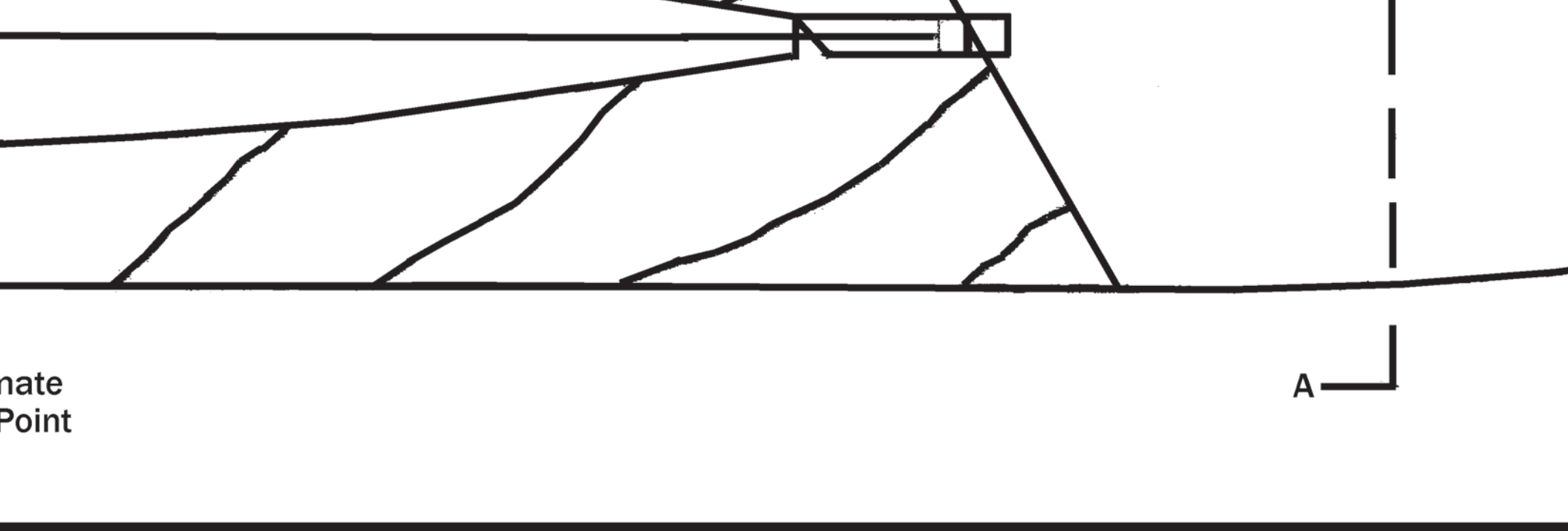
Robin's View Productions  
PO Box 68  
Stockertown PA USA 18083  
(610) 746-0106  
robinhunt@rcn.com







Approximate  
Balance Po



mate  
Point

A

1/4-inch x 1/2-inch  
Basswood Stiffener

1/8-inch x 1/4-inch  
Basswood Side Pieces

See Section A-A



# **Boeing B-29**

**Electric Sorta-Scale Fun RC  
By Dick Sarpolus**