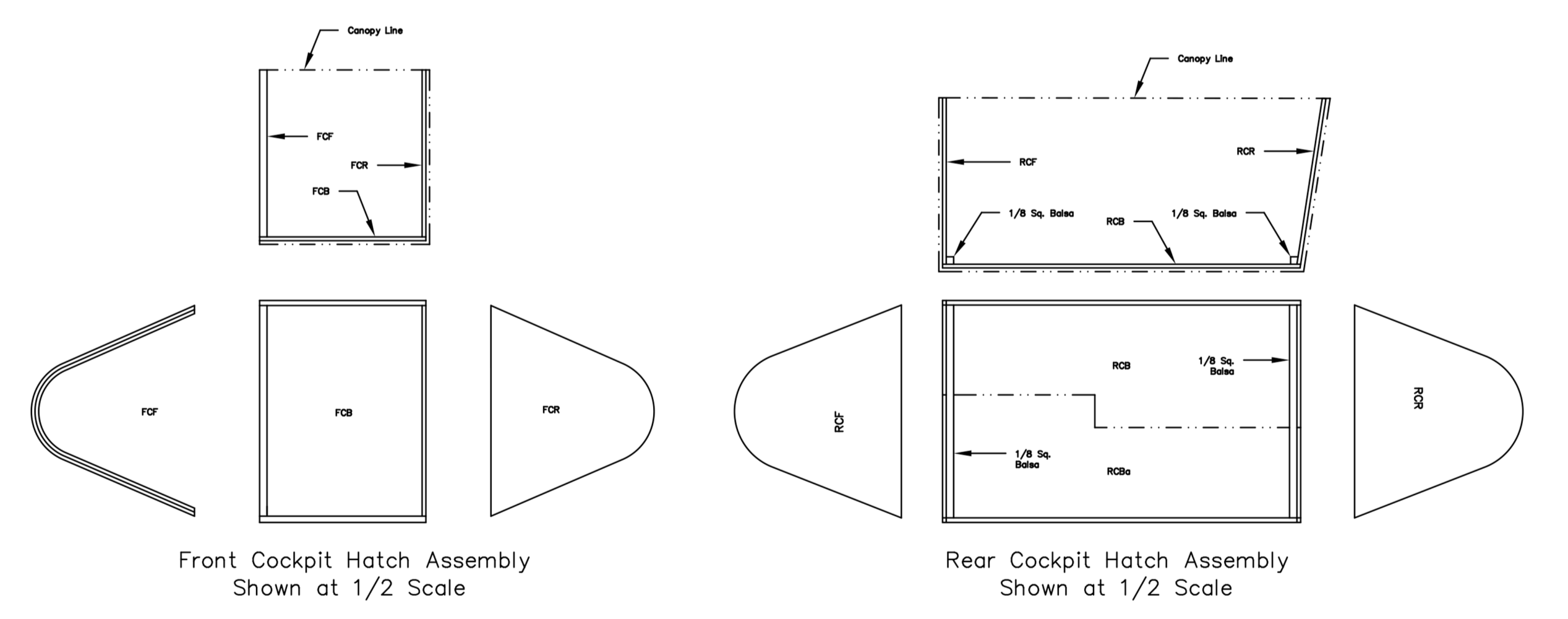
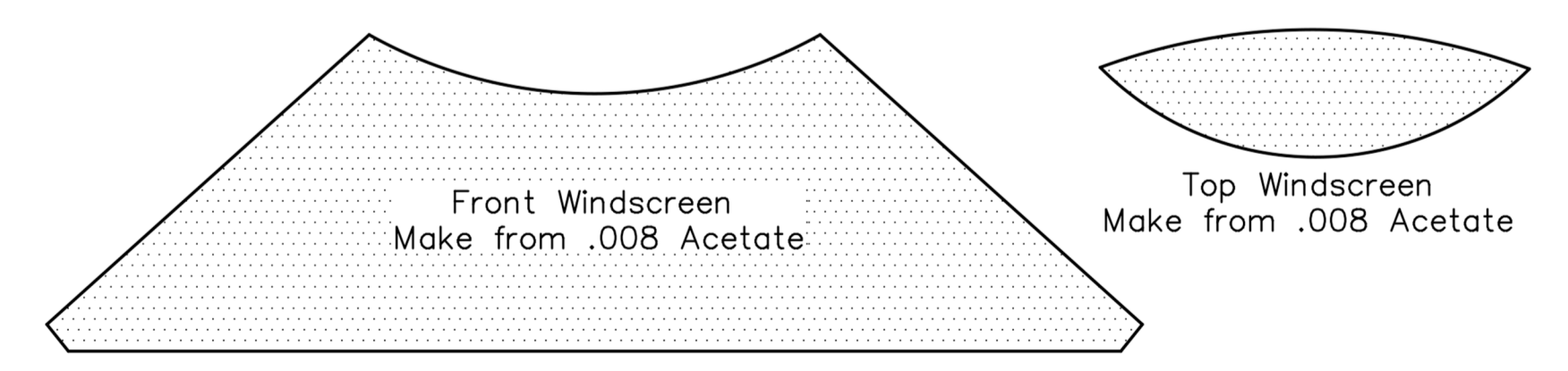
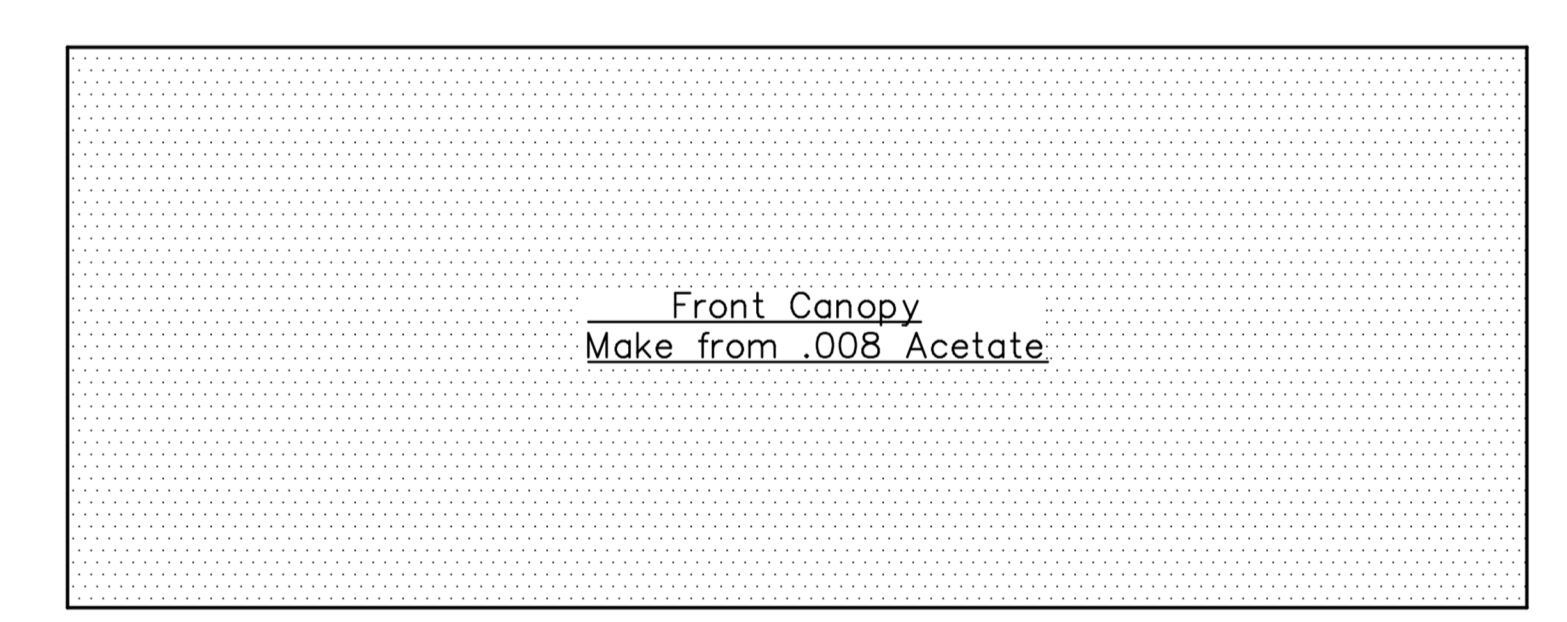
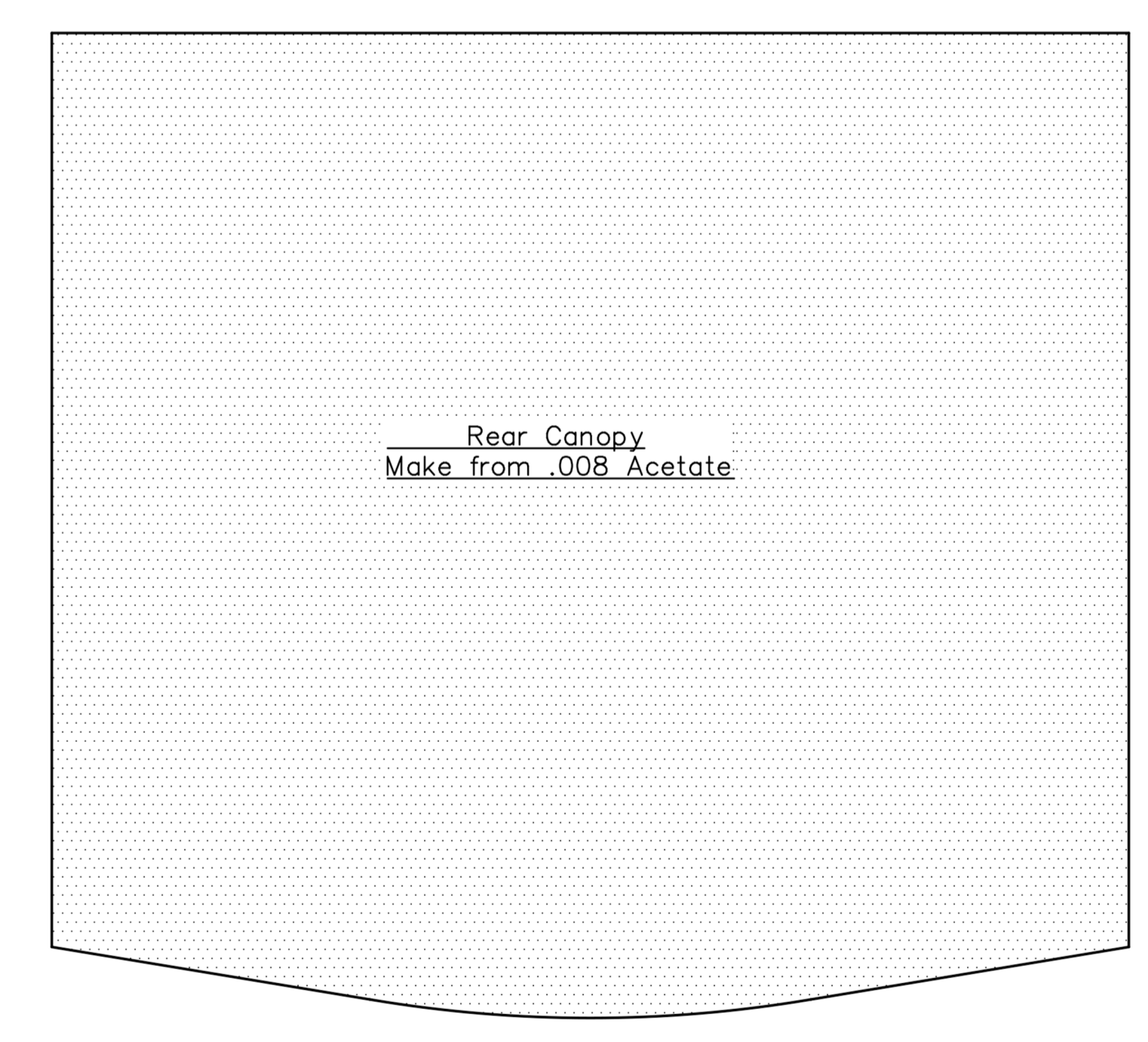
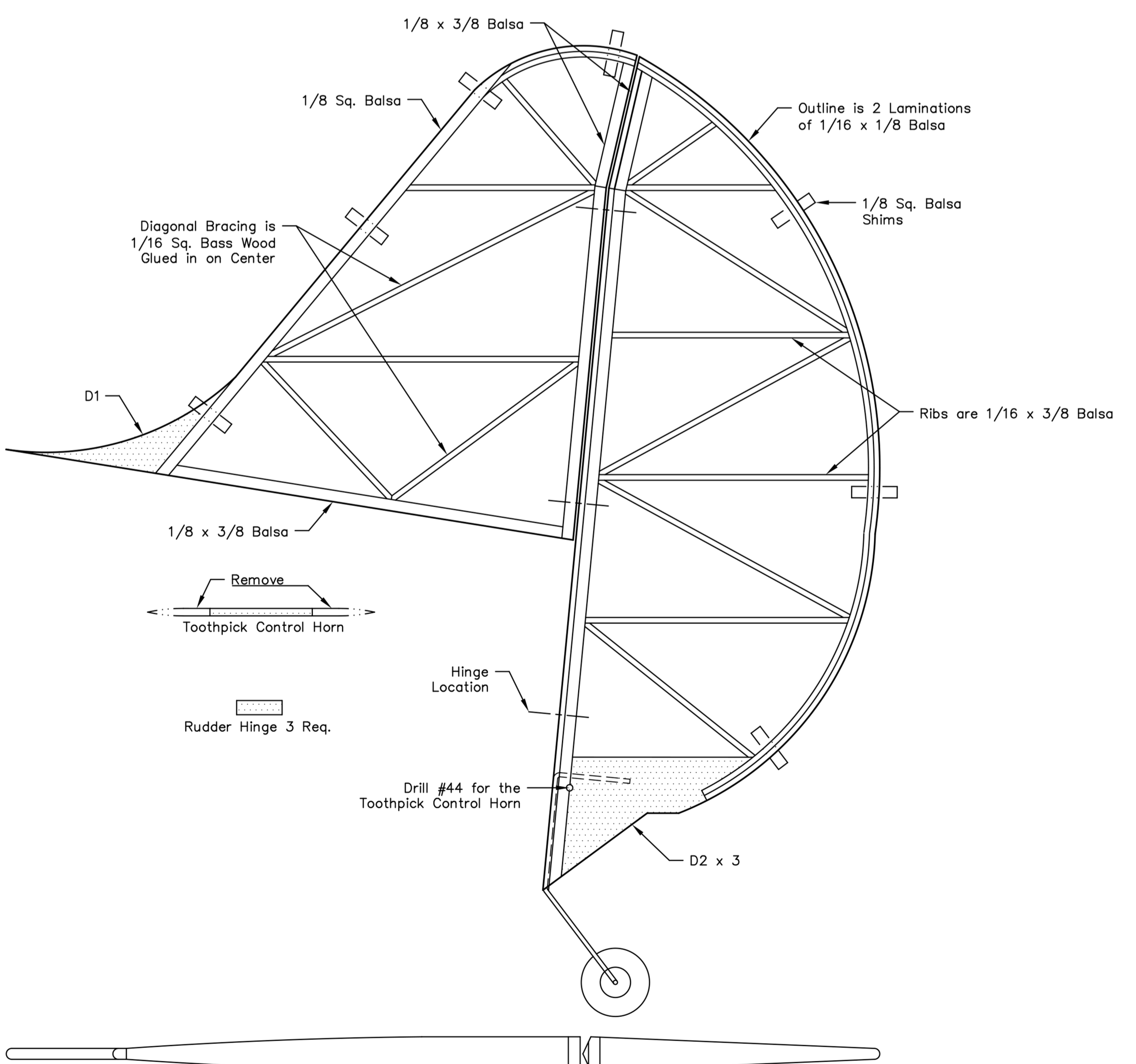
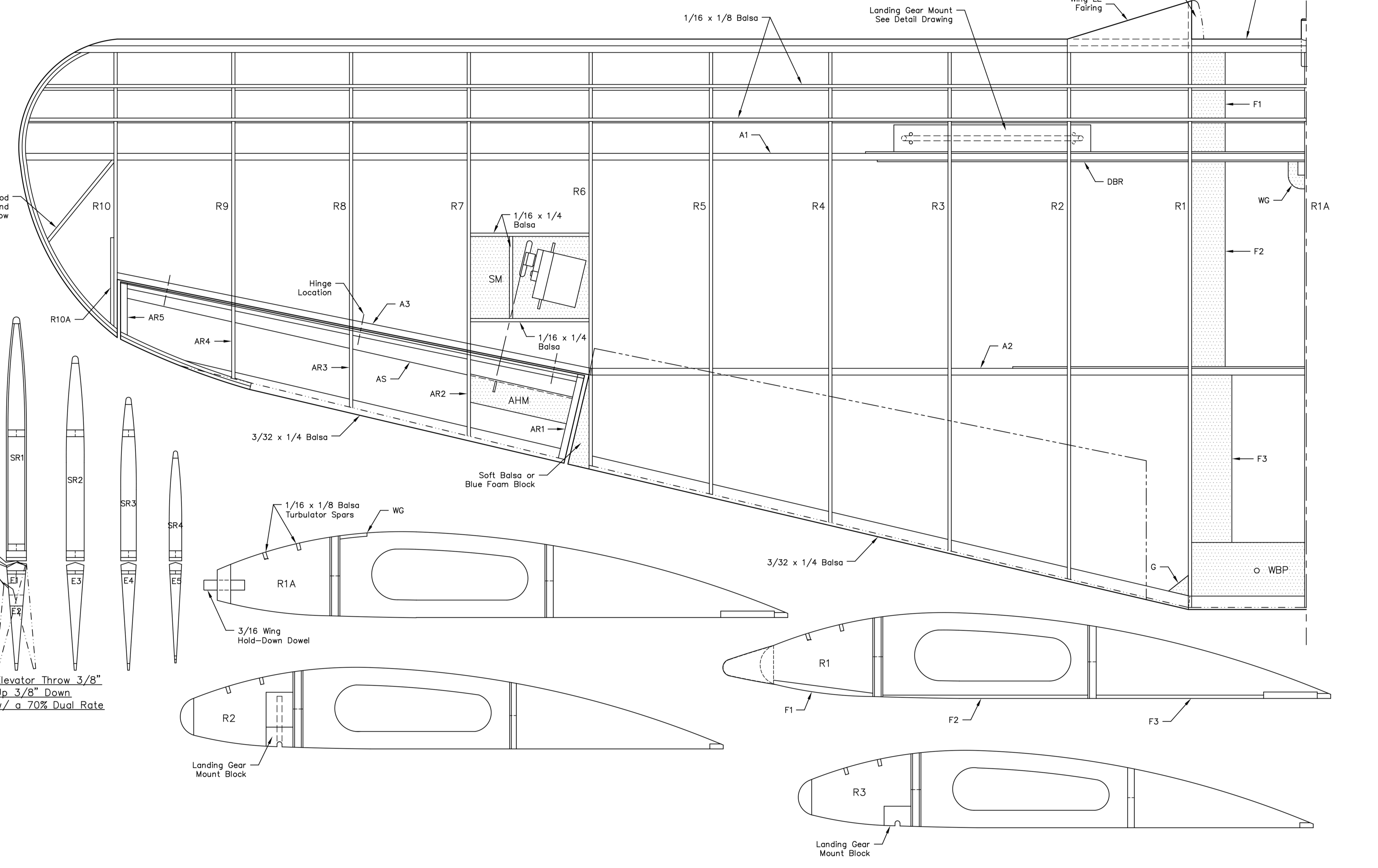
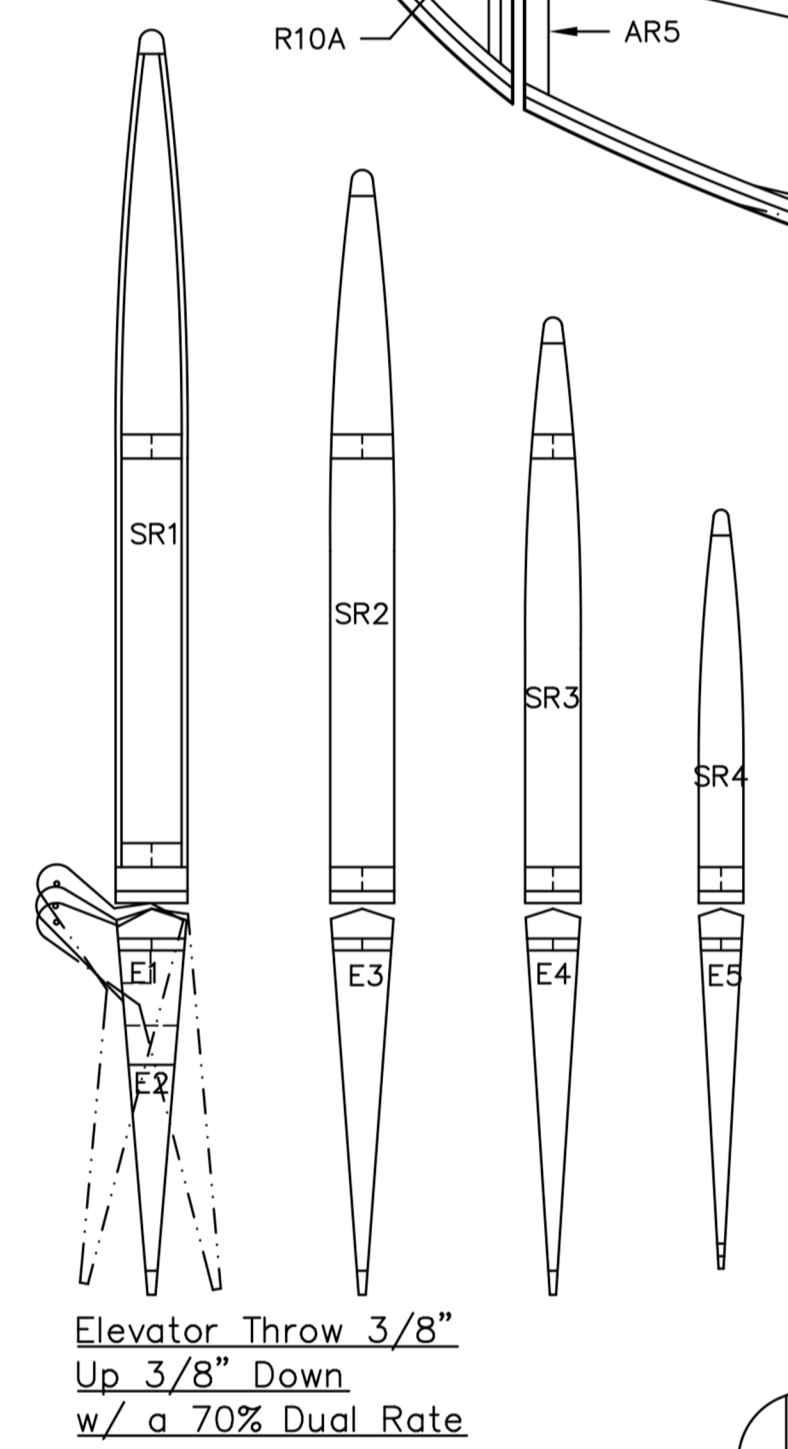
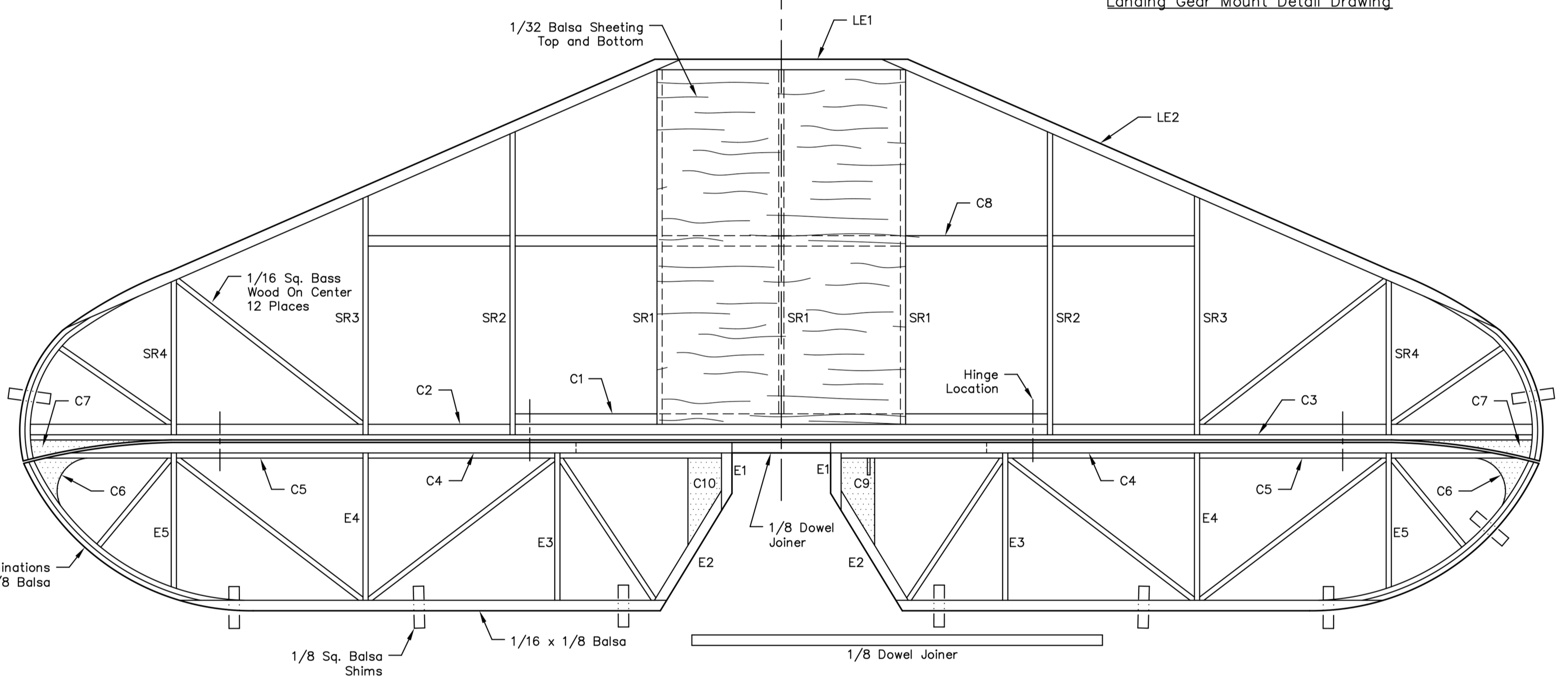
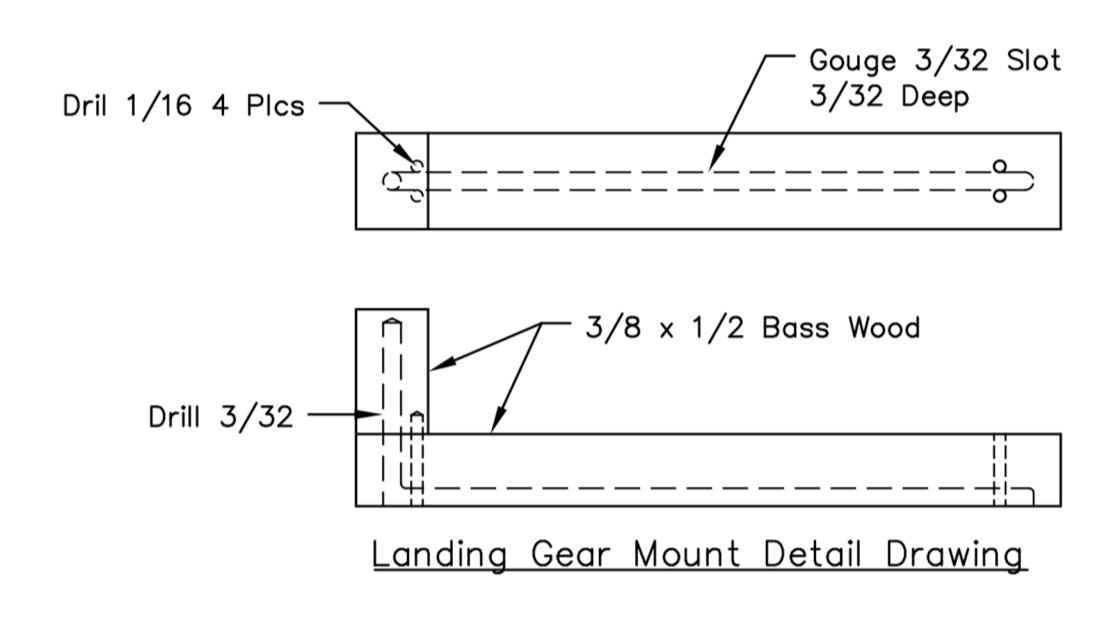


Note: F1, F2, & F3 are Glued in Flush with the bottom of R1



Note: Assemble the Canopy Frames Directly on the Fuselage Frame Assembly. Cover the Cockpit Openings with Waxed Paper to Prevent the Frames from Sticking to the Fuselage During the Assembly Process.
Secure the Frames on the Fuselage with Rare Earth Magnets - 2 for the Front Canopy and 4 for the Rear. Secure the Magnets on Scrap Balsa Pads Glued Between the Fuselage Main Frame and Outer Stringers.

Curtiss SB2C Helldiver	
Span: 48"	Length: 37.7"
Wing Area: 396 Sq. In. Wt: 24.3 oz.	
Designed by: Pat Tritle for Model Aviation Magazine	
Sheet 2 of 3	11-17-2018