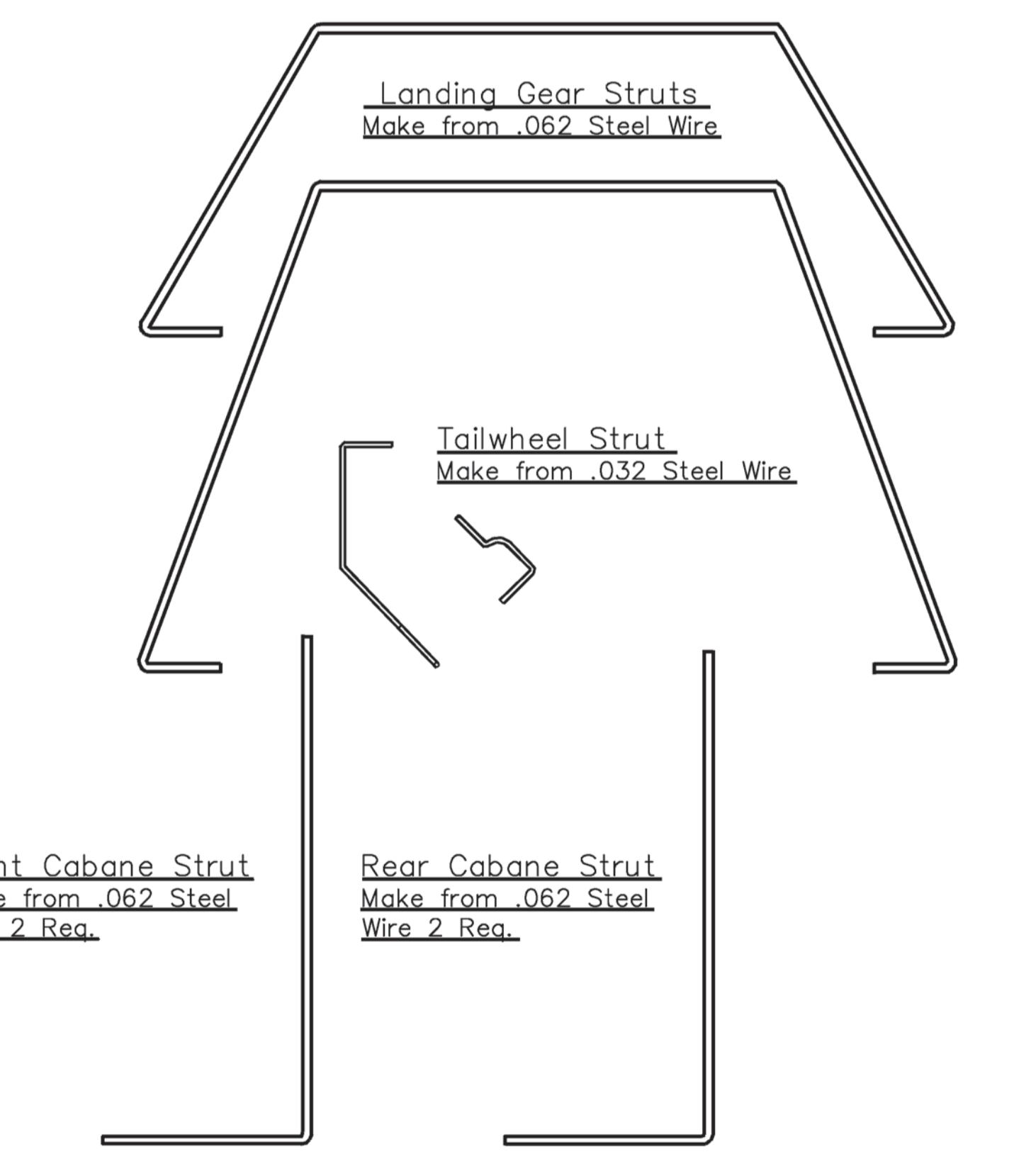
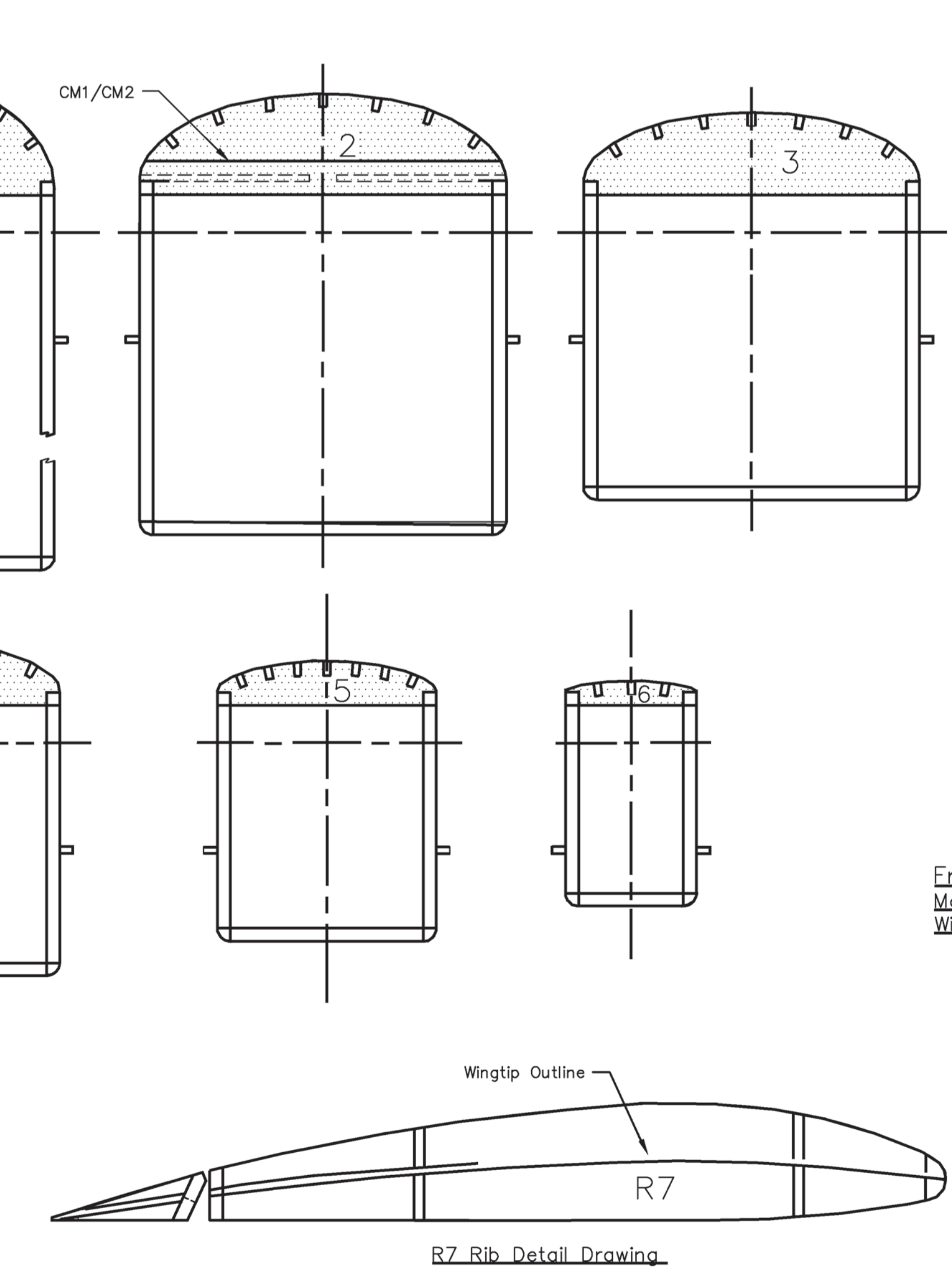


- Materials List:**
- Power and Guidance:**
 1- Suppo 2208/17T Outrunner
 1- 12 Amp ESC
 1- GWS 9-6DD Propeller
 1- 1320 mah 2S Lipoly Battery
 4- 6 Gram Sub-Micro Servos
 2- 9" Servo Extensions
 1- 11" Servo Y-Lead
 1- Full Range 4 ch. Rx
- Wood:**
 9- 1/16 x 1/8 x 36 Balsa
 1- 1/16 x 3/16 x 36 Balsa
 1- 1/16 x 3/8 x 36 Balsa
 1- 3/32 Sq. x 36 Balsa
 2- 3/32 x 1/4 x 36 Balsa
 9- 1/8 Sq. x 36 Balsa
 1- 1/8 x 1/4 x 36 Balsa
 4- 3/16 x 3/8 x 36 Balsa
- If the Laser Cut Wood Pack is Not Used:**
 2- 1/16 x 4 x 36 Balsa Sheet
 2- 3/32 x 4 x 36 Balsa Sheet
 1- 1/8 x 4 x 36 Balsa Sheet
 1- 1/8 x 4 x 6 Lite Ply
 1- 1/32 x 2 x 4 Ply

- Metal:**
 1- .025 x 18 Steel Wire
 1- .032 x 24 Steel Wire
 1- .062 x 36 Steel Wire
 1- 1/16 O. D. x 6 Aluminum Tube
 1- 5/32 O. D. x 24 Brass Tube
 1- 3/16 O. D. x 18 Aluminum Tube

Note: A Laser Cut Wood Pack is Available from Manzano Laser Works at www.manzanolaser.com



Copyright 2017 AMA and ModelAviation
 Copying for resale of this drawing without the written approval or consent of AMA is expressly prohibited.

Pietenpol Aircamper

Span: 48" Len.: 30.25"
 Wing Area: 400 Sq. Inches
 Flying Weight: 14.7 oz.
 Wing Loading: 5.3 oz./ Sq. Ft.

Des. by: Pat Tittle for Model Aviation Magazine 3-20-2017 Sht. 2 of 2
 Plan No. 1103