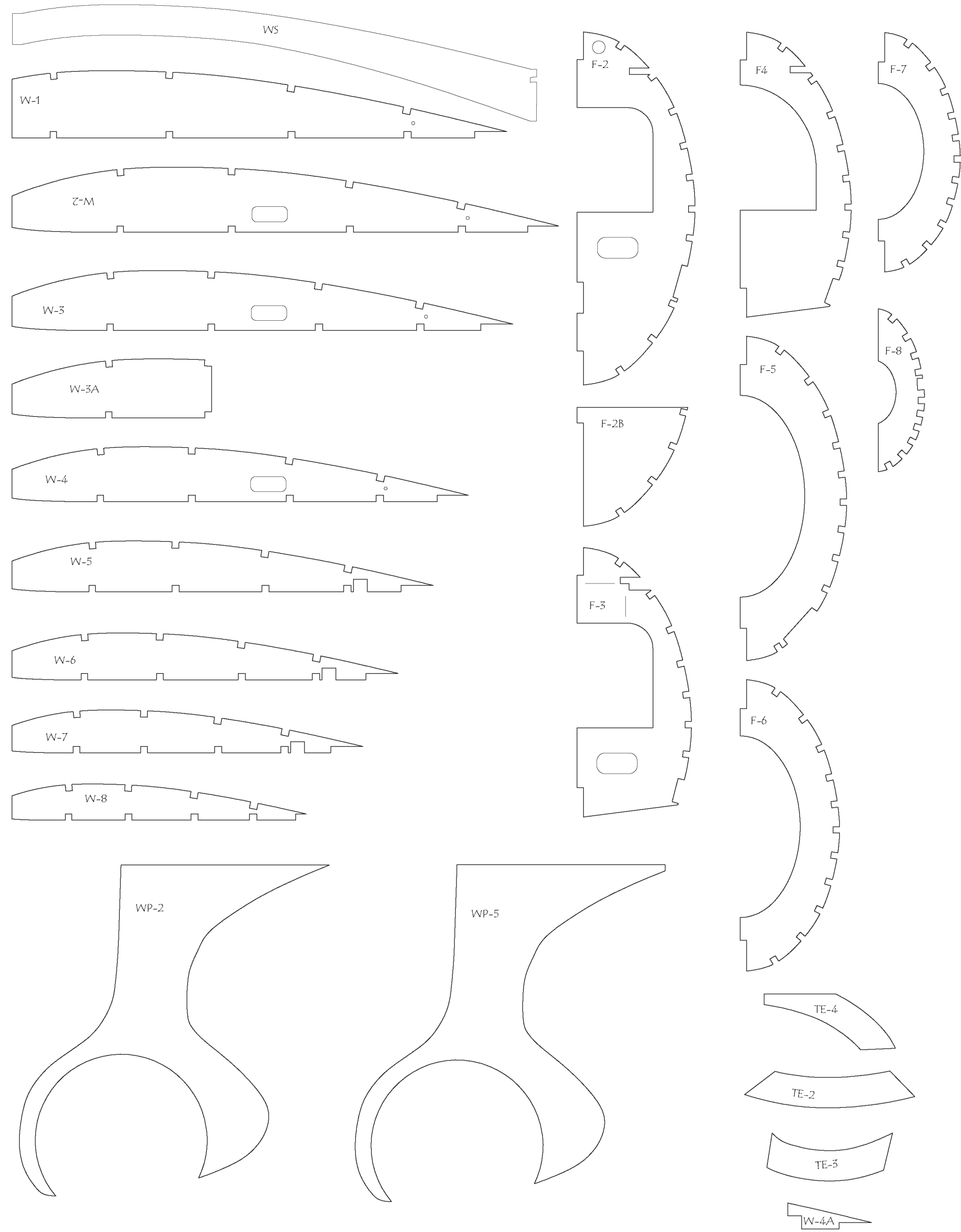

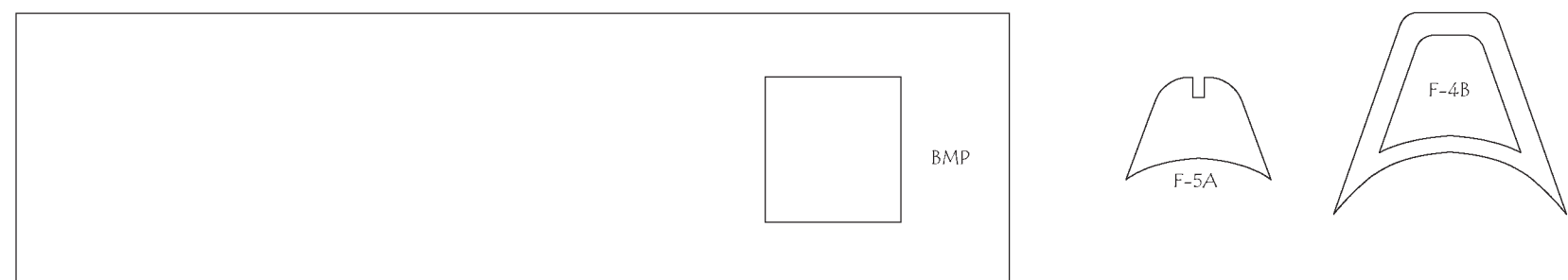


1/16" Balsa- 2 NEEDED

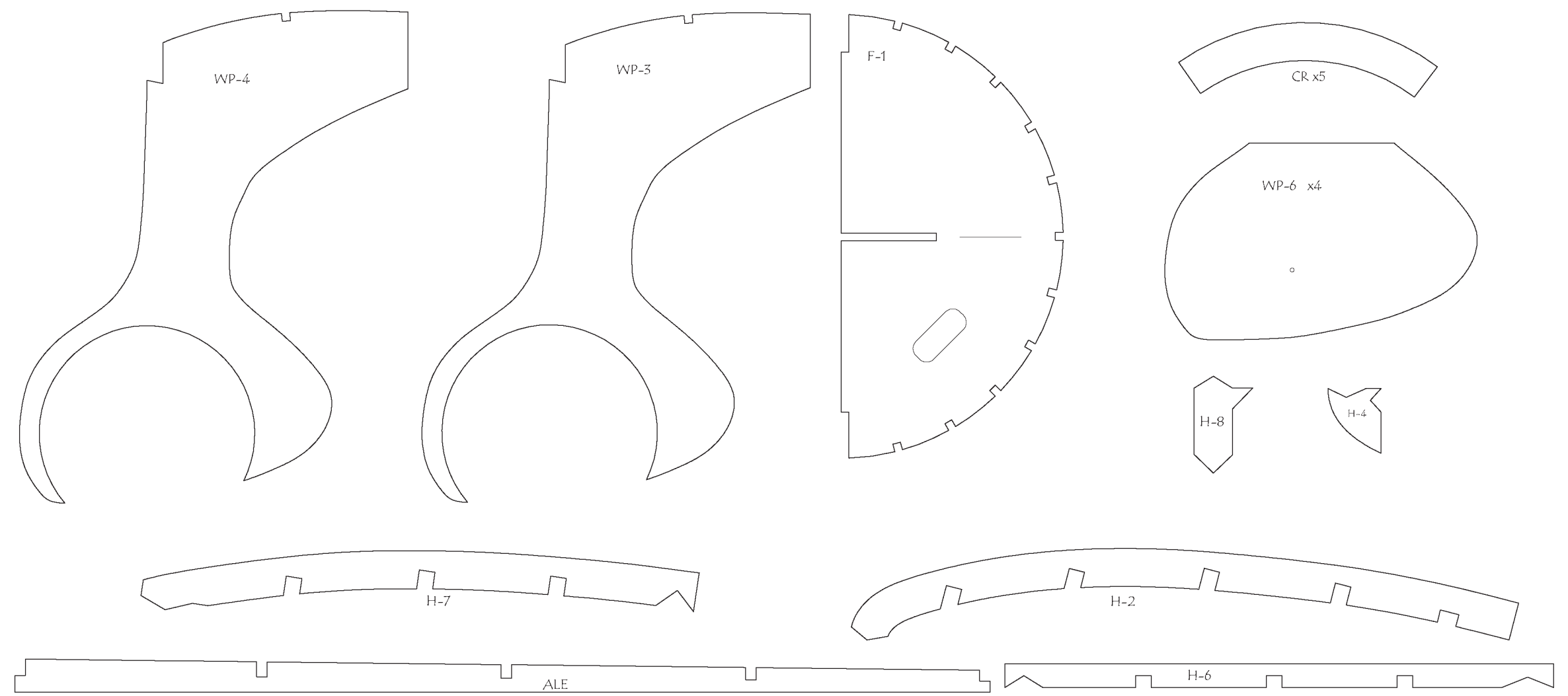


Copyright 2021  and **ModelAviation**  
 Copying for resale of this drawing without  
 the written approval or consent of AMA  
 is expressly prohibited.

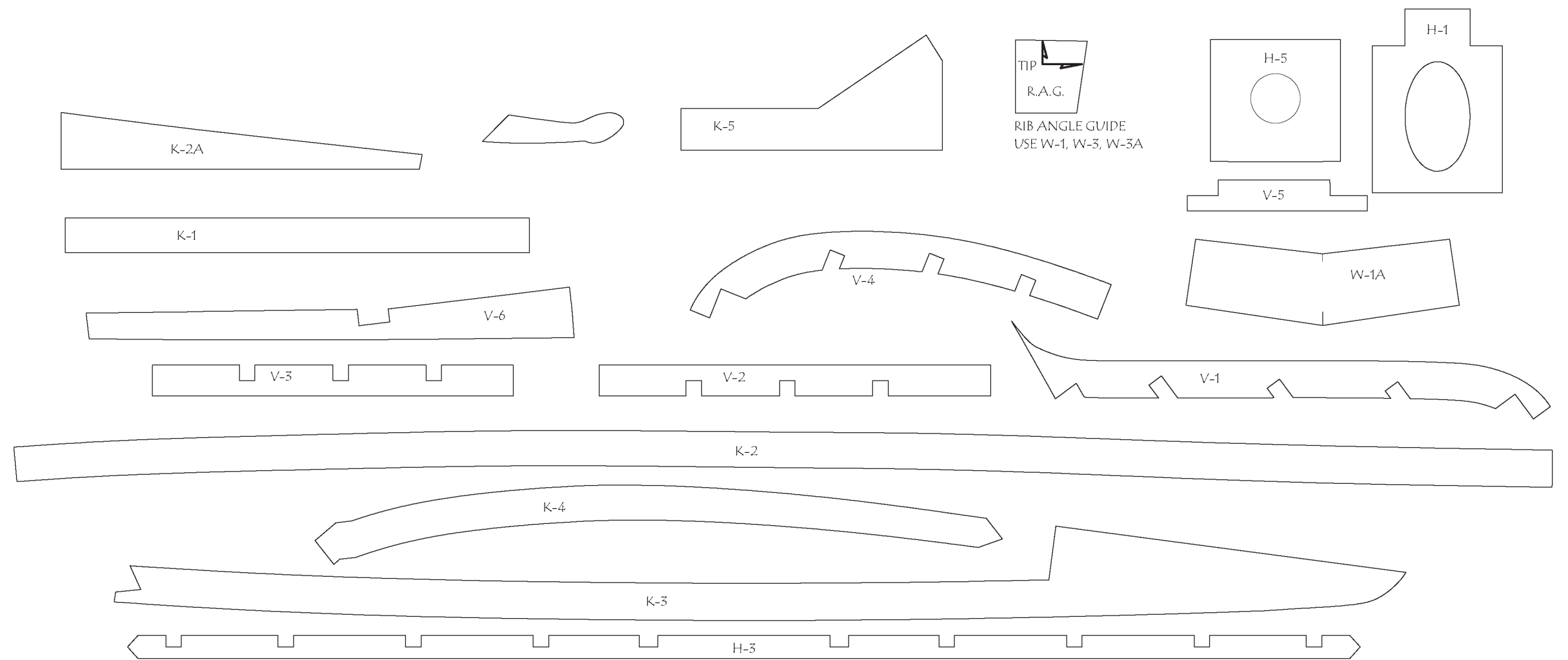
1/16" Balsa- 1 NEEDED



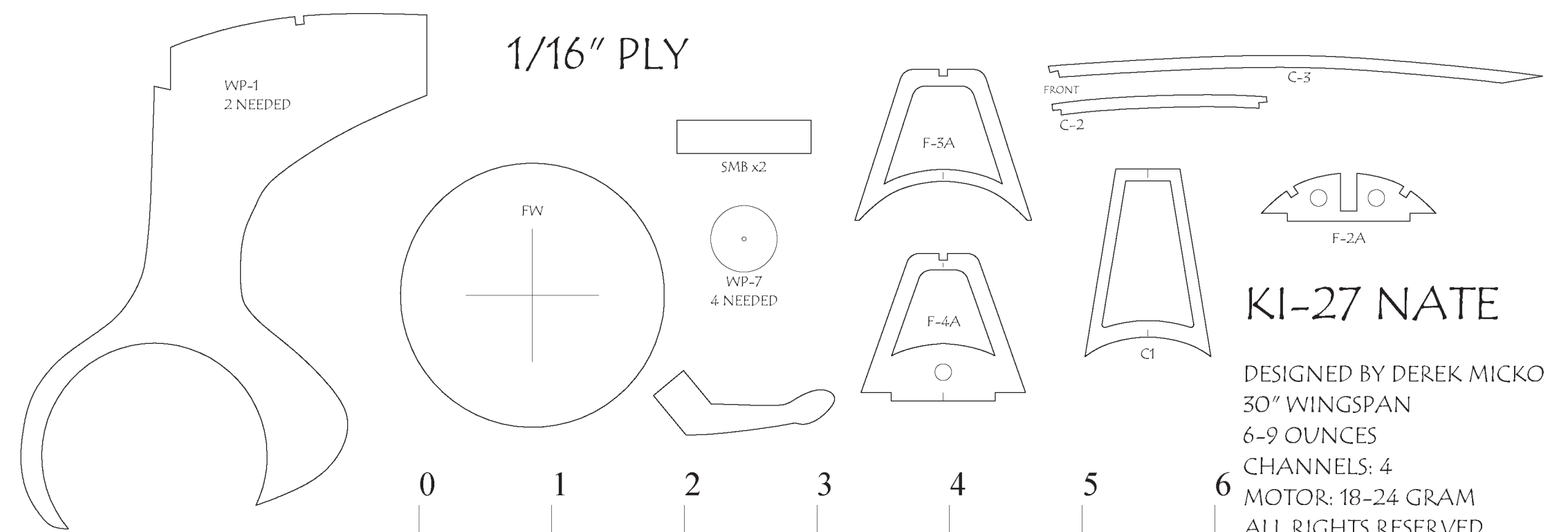
1/8" Balsa- 2 NEEDED UNLESS NOTED



1/8" Balsa- 1 NEEDED



1/16" PLY



**KI-27 NATE**  
 DESIGNED BY DEREK MICKO  
 30" WINGSPAN  
 6-9 OUNCES  
 CHANNELS: 4  
 MOTOR: 18-24 GRAM  
 ALL RIGHTS RESERVED