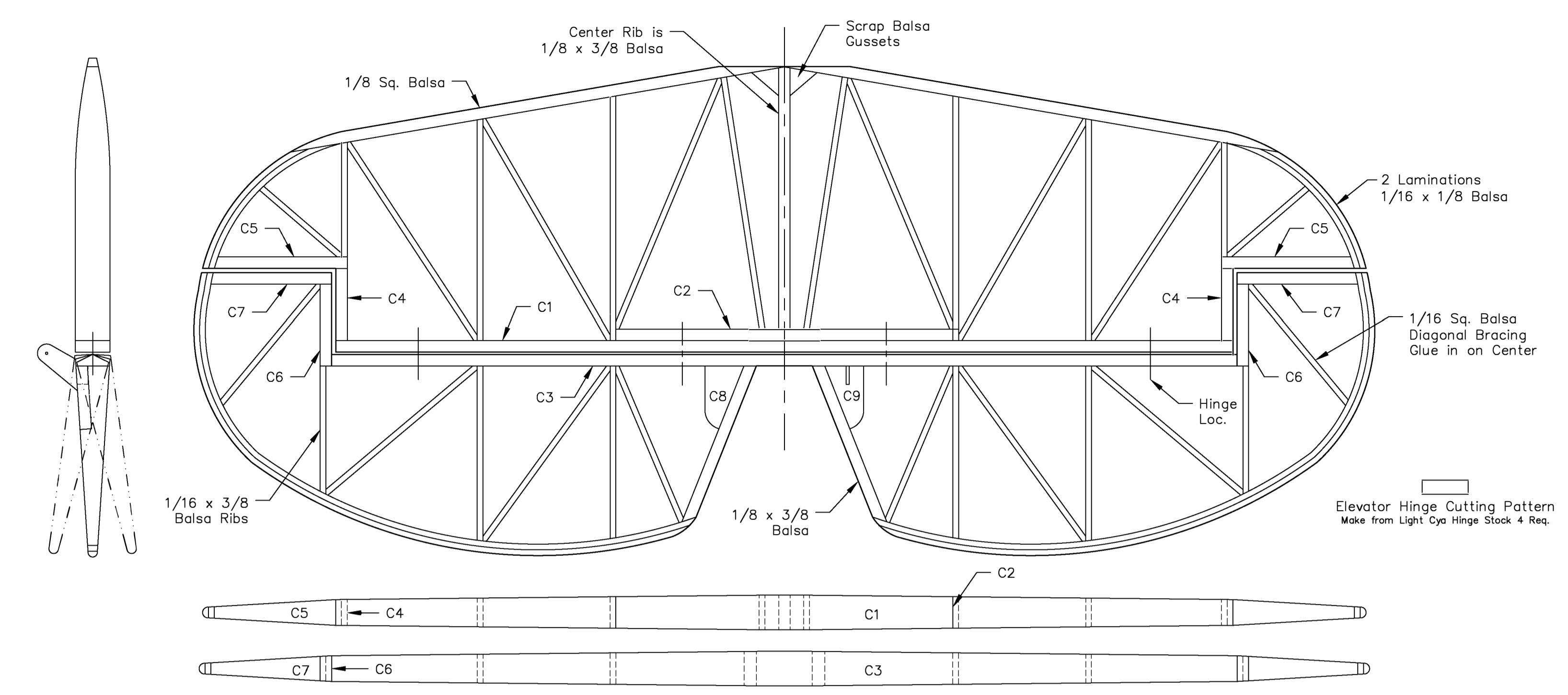
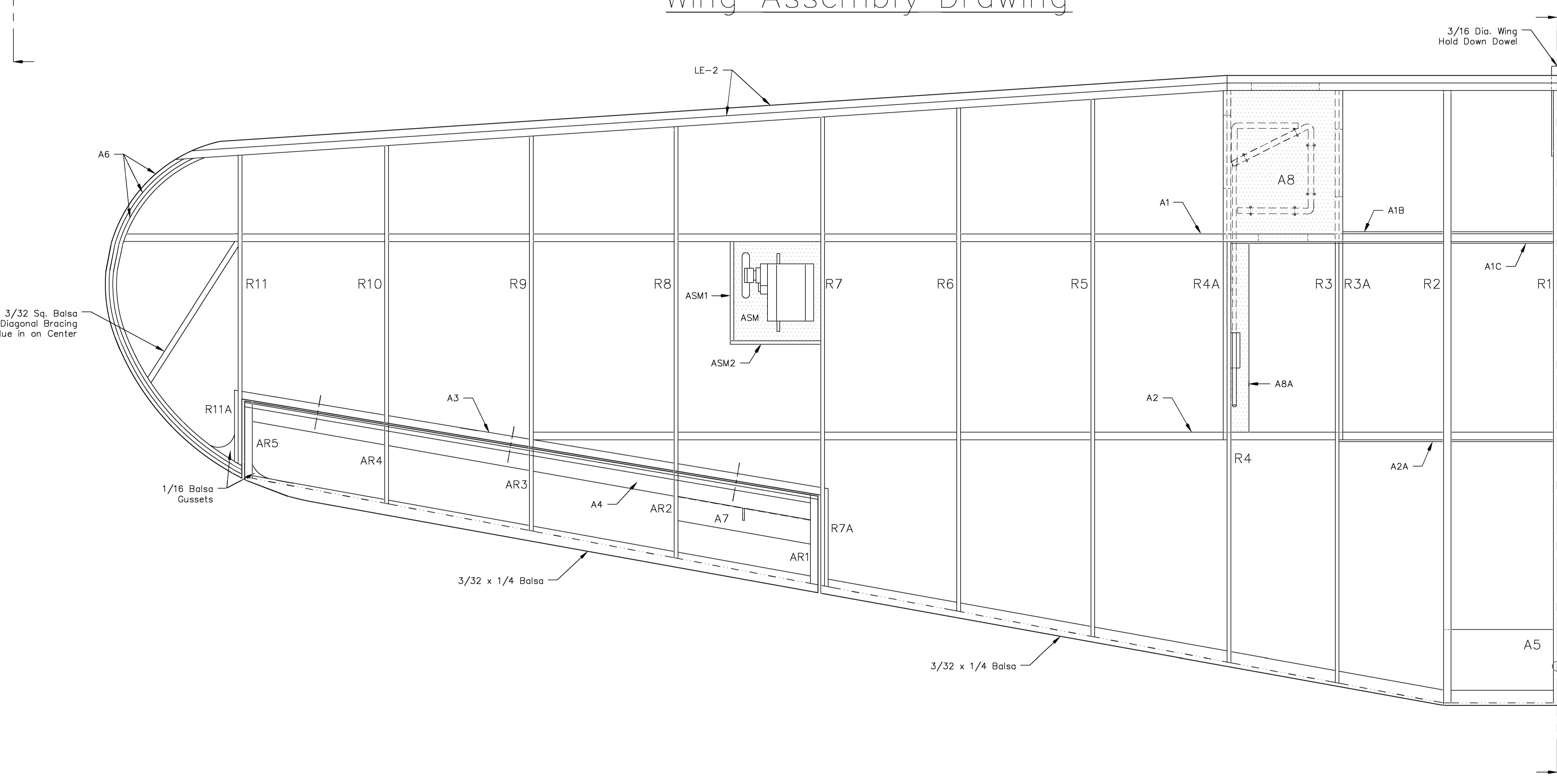


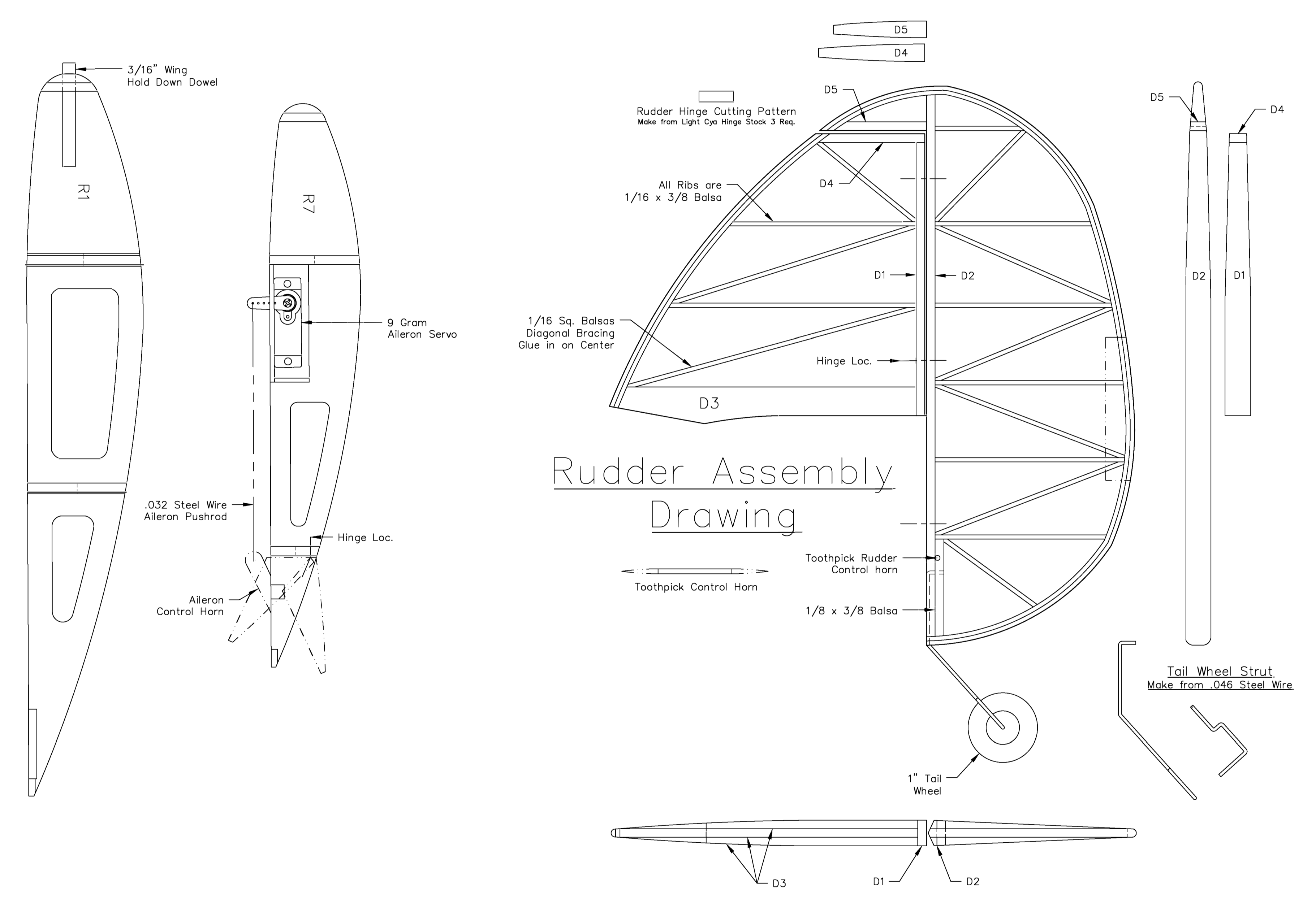
Wing Assembly Drawing



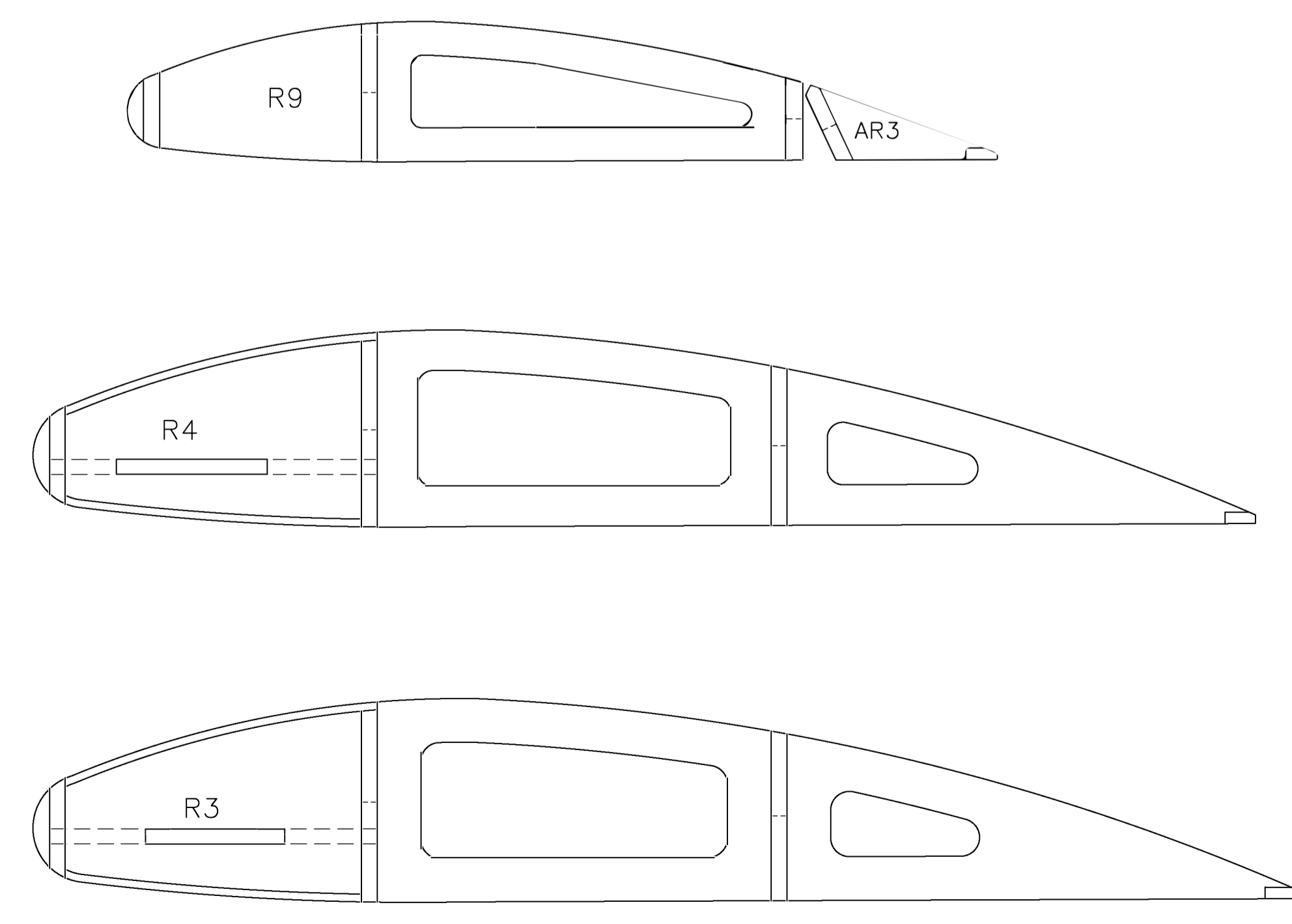
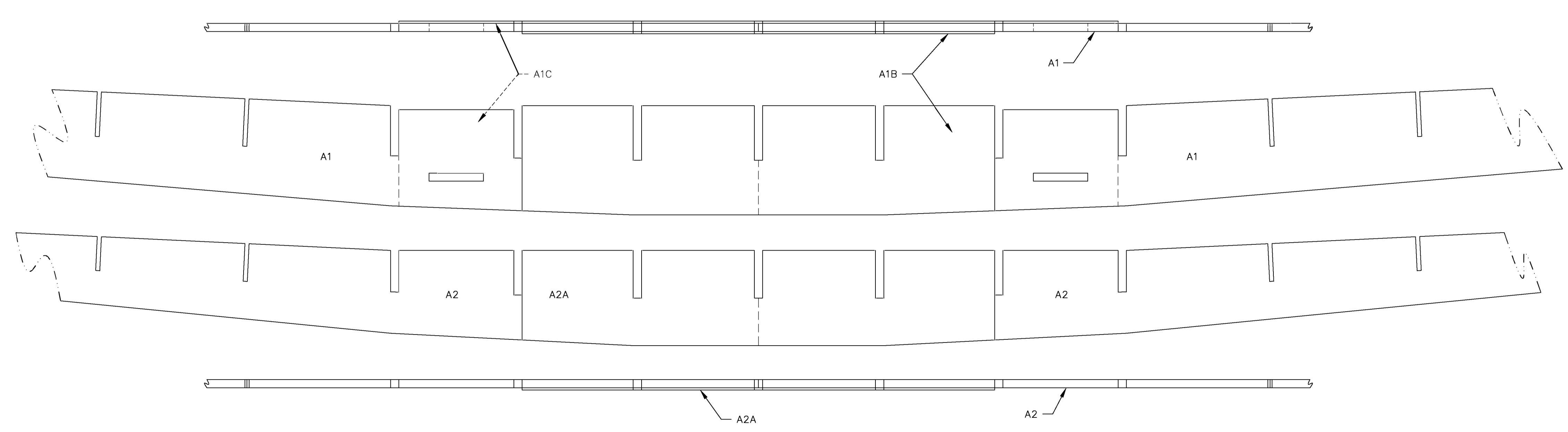
Horizontal Stabilizer Assembly Drawing



Main Spar Assembly Detail Drawing



Rudder Assembly Drawing



Wing Rib Detail Drawings

Copyright 2023 and **Model Aviation**
 Copying for resale of this drawing without the written approval or consent of AMA is expressly prohibited.

Plan No. 1136

Hawker Hurricane	
Span: 48"	Length 37.3"
Wing Area: 382.4 Sq. In.	
Flying Weight: 20.5 Oz.	
Wing Loading: 7.75 Oz./ Sq. Ft.	
Des. by: Pat Tritle for Model Aviation Magazine	
Sheet 2 of 3	© 2-20-2023