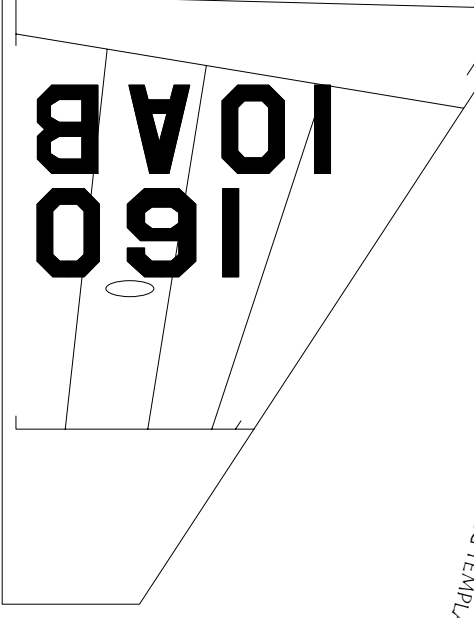
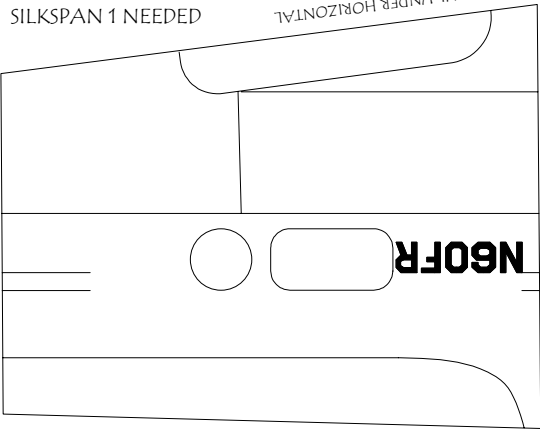
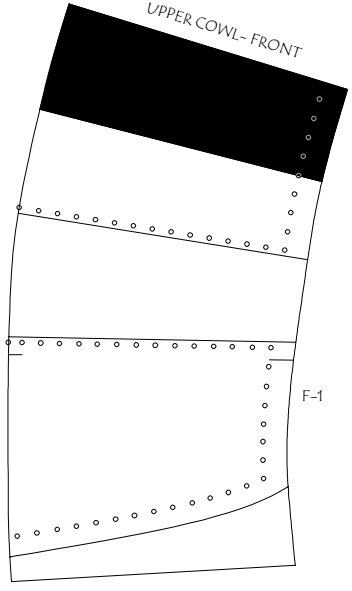


SHEET SIZE IS 8.5"x14"
PRINT ONTO SILVER "LIGHT"
SILKSPAN 1 NEEDED

F-9
TAIL UNDER HORIZONTAL



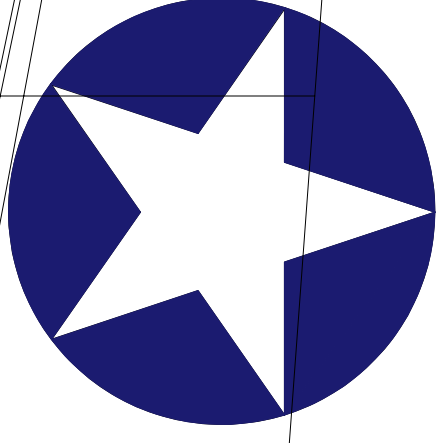
TOP WING TEMPLATE



F-1

F-2

TISSUE OVERHANG OF 1/4" AT BOTTOM TO ALLOW FOR COVERAGE TO W-1



10A160

