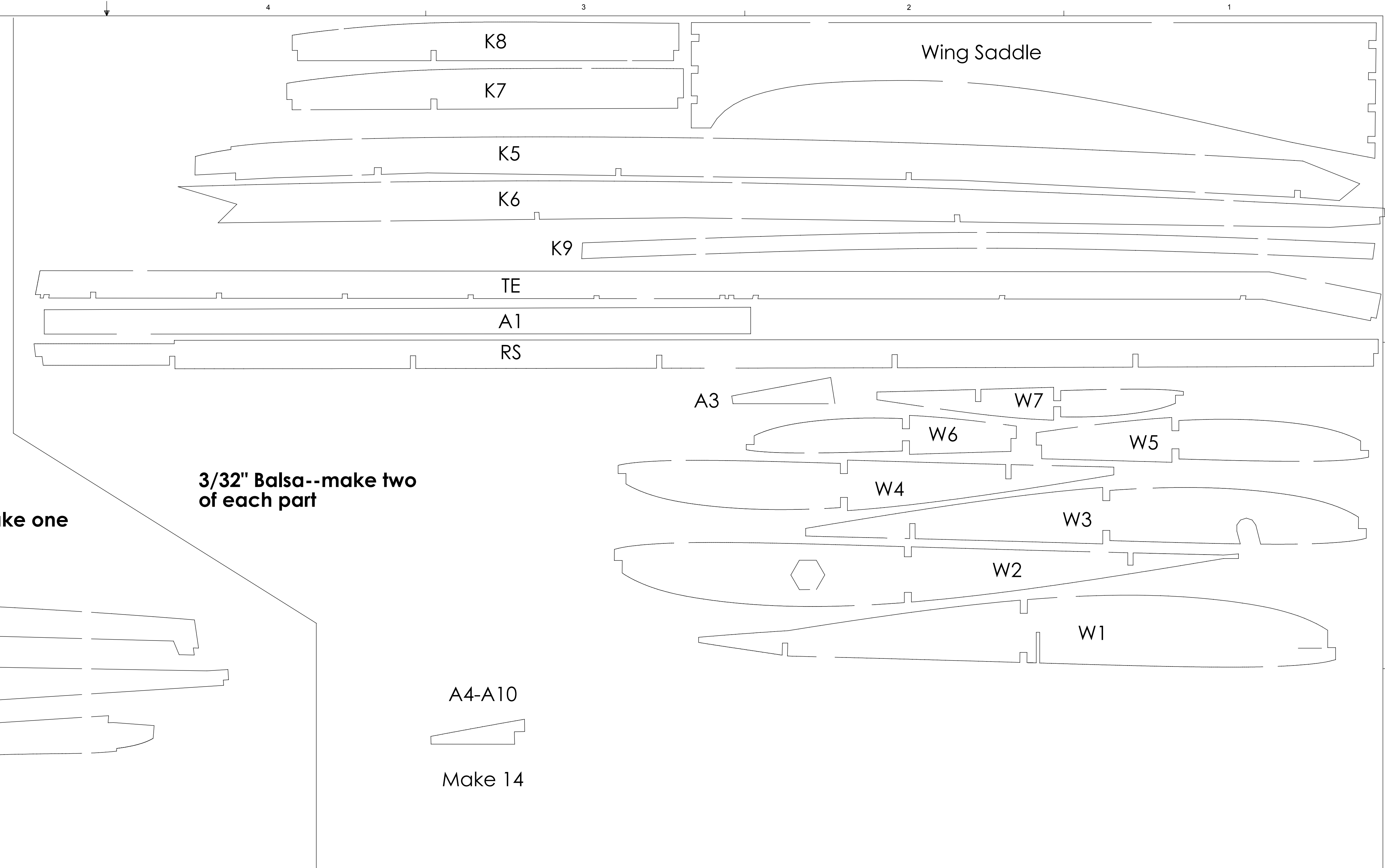


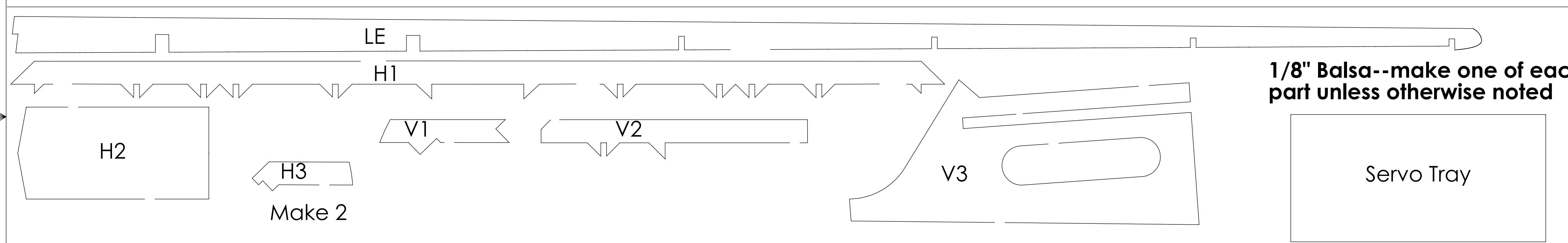
3/32" Balsa--make one of each part

3/32" Balsa--make two of each part

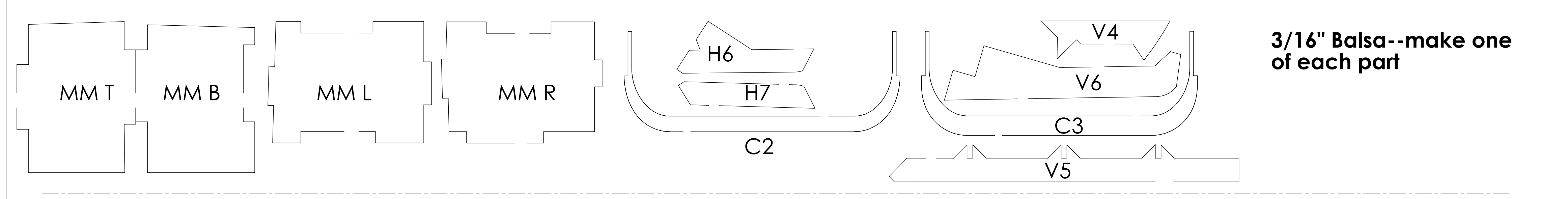


A4-A10

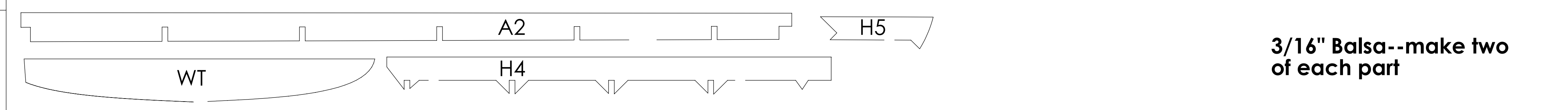
Make 14



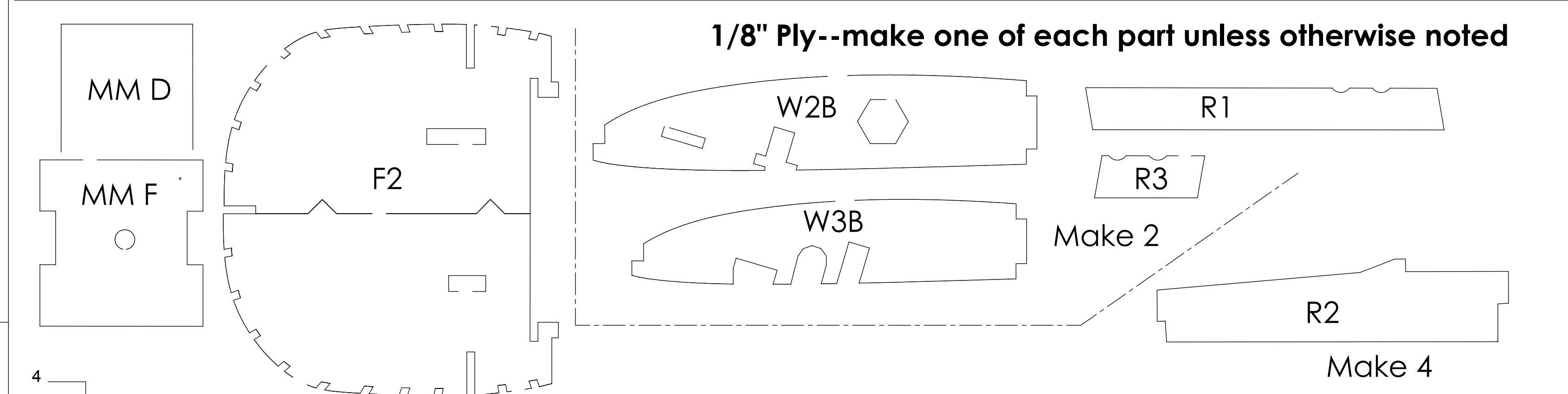
1/8" Balsa--make one of each part unless otherwise noted



3/16" Balsa--make one of each part

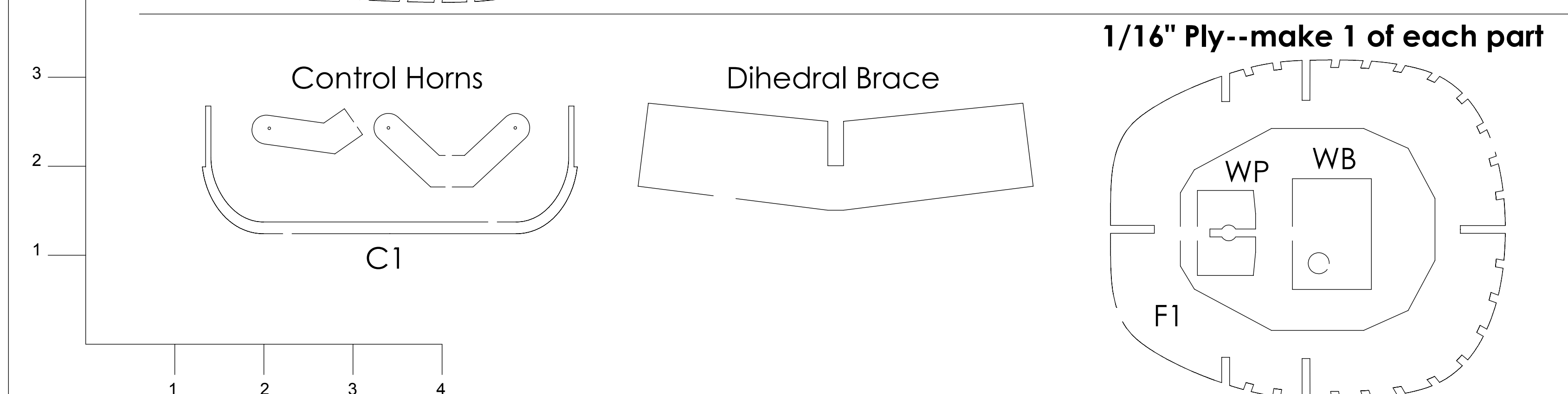
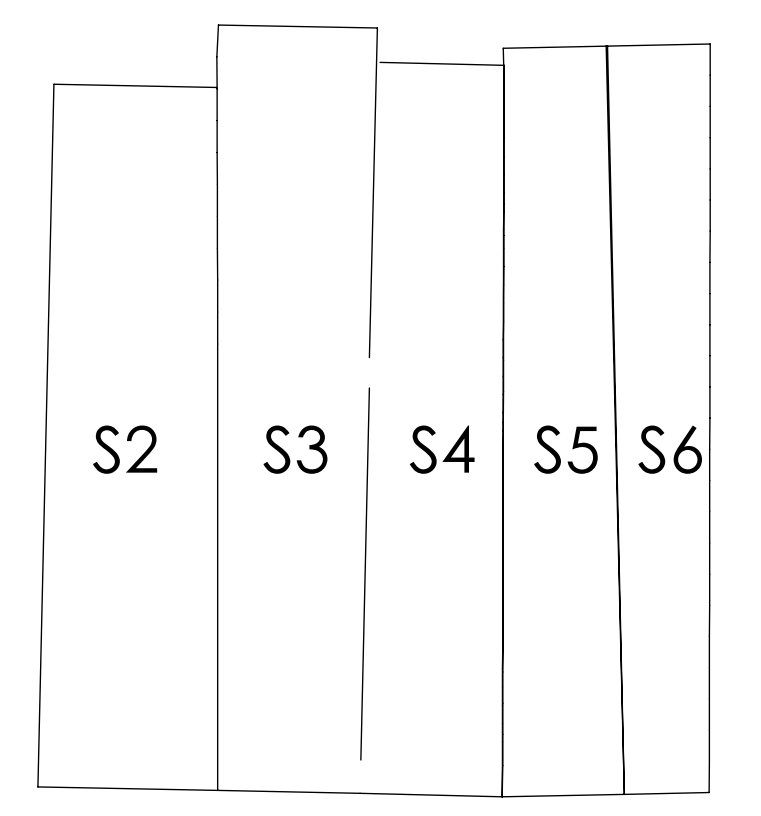


3/16" Balsa--make two of each part

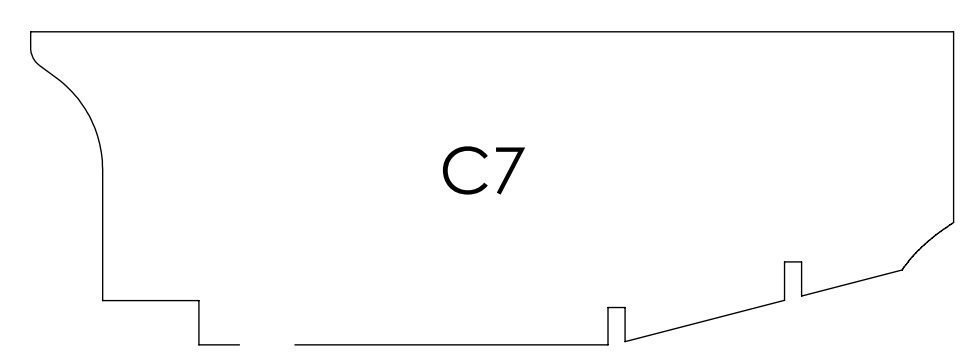


1/8" Ply--make one of each part unless otherwise noted

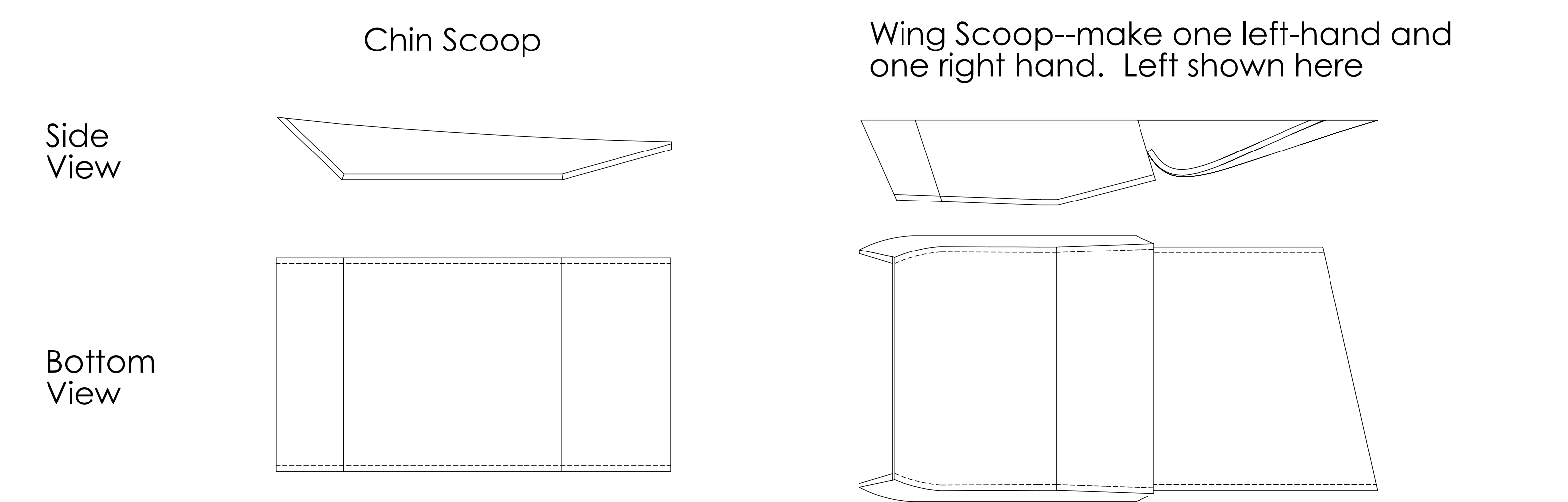
1/16" Balsa--make 2 of each part



1/16" Ply--make 1 of each part



Bf 109E Air Scoop Outlines--the upgrade from the Jumo engine to the Daimler Benz required a new cooling scheme. The large chin scoop of the Dora was streamlined and a large radiator was added to each wing. Outlines for the E-model scoops are provided here for builders who wish to upgrade their model to the Emil standard.



NOTES for Handcutting
 This kit was designed from the beginning with laser cutting in mind. But for the more committed, it certainly can be hand cut. If so inclined, disregard the gaps in the part outlines--they are for the laser cutter so that the parts stay nested in their sheets.

1. Wood grain runs horizontally
2. Fuselage Formers--"a" halves on top, "b" halves on bottom