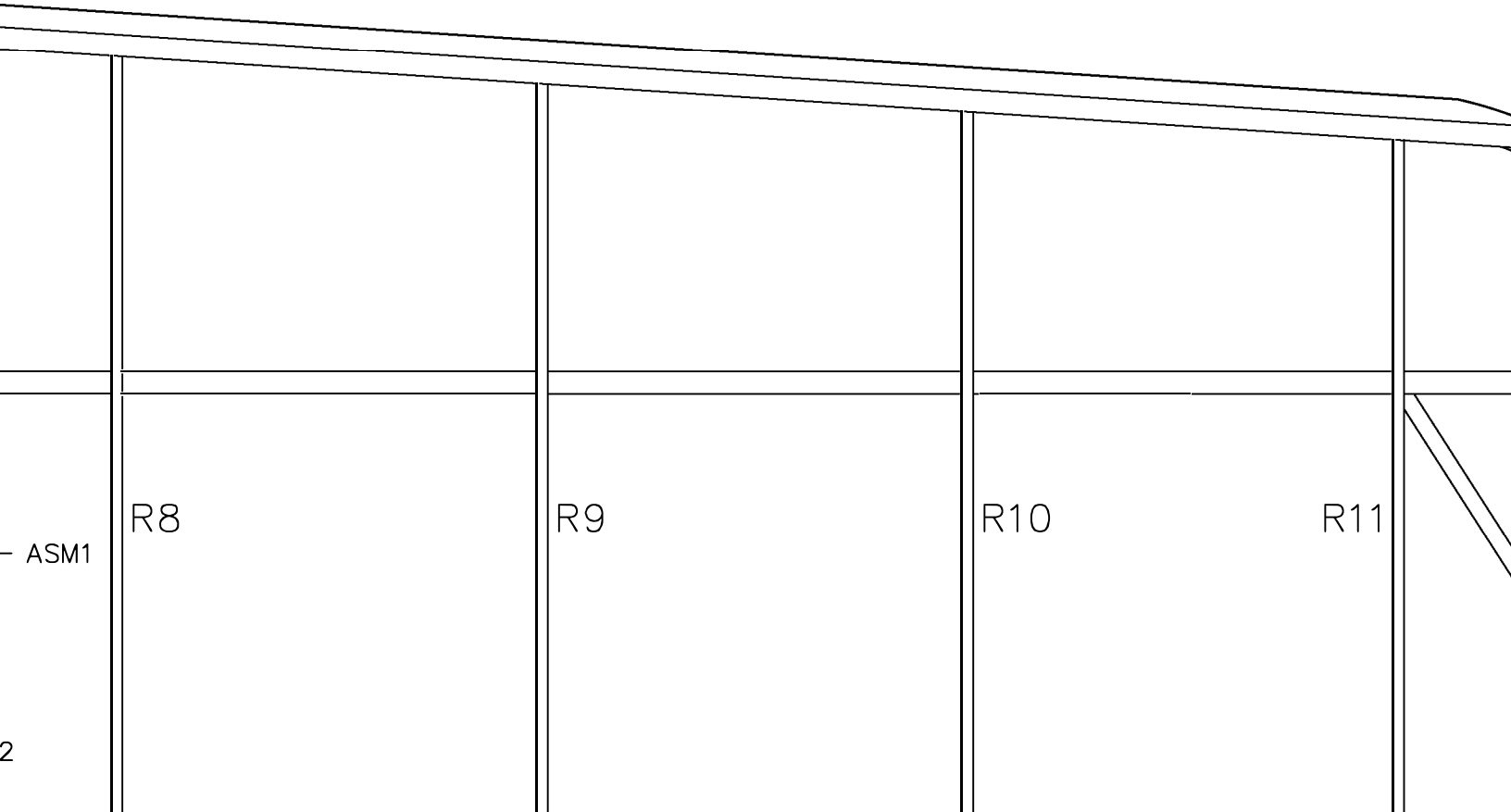


2



ASM1

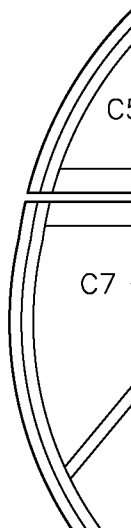
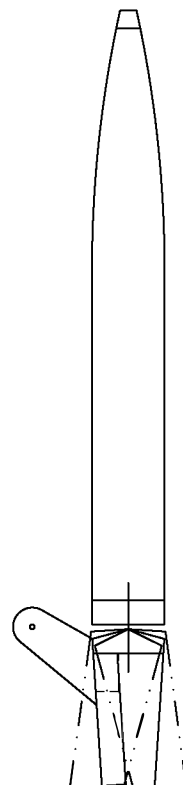
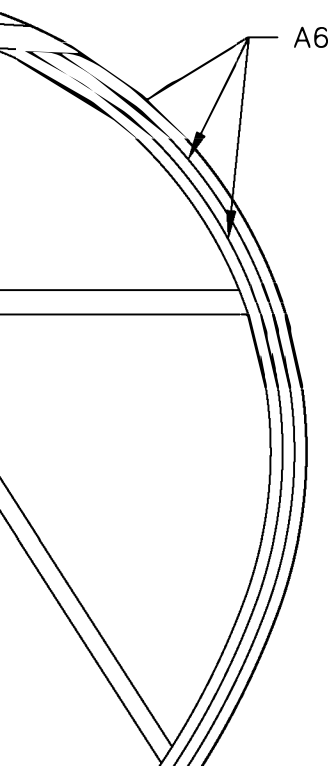
R8

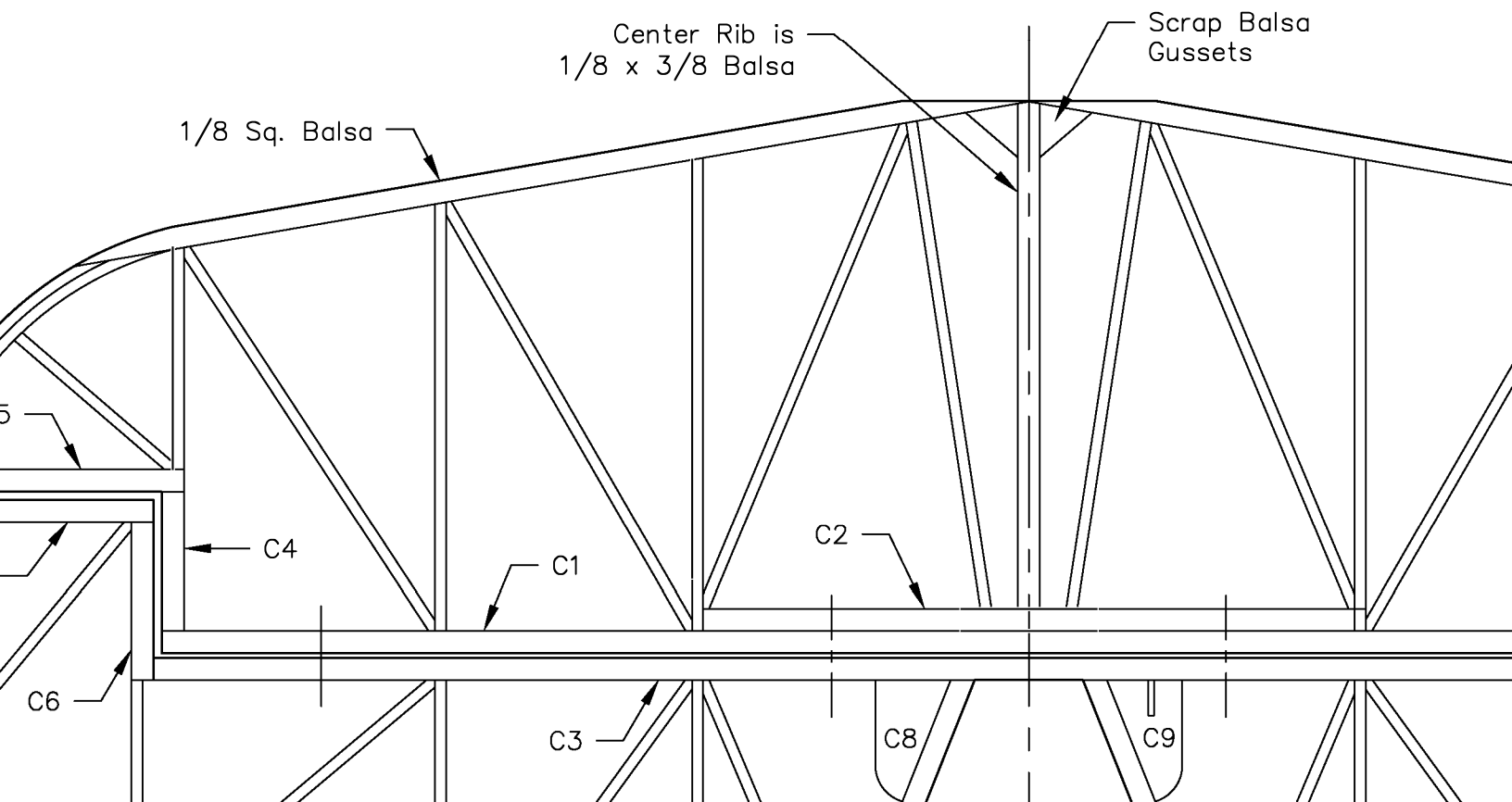
R9

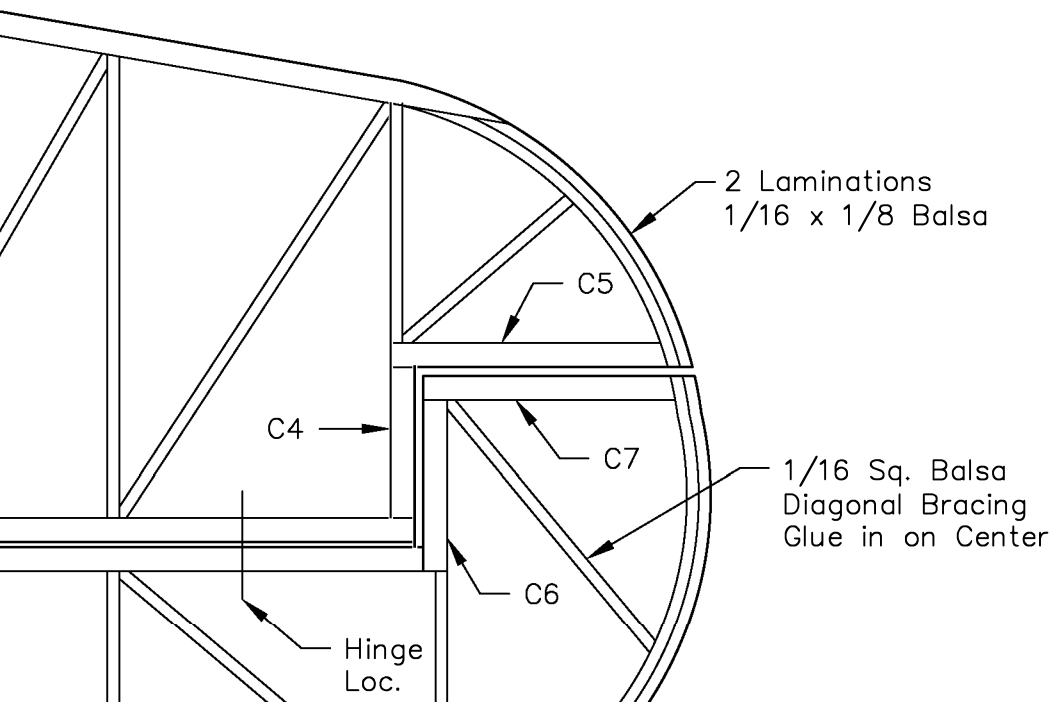
R10

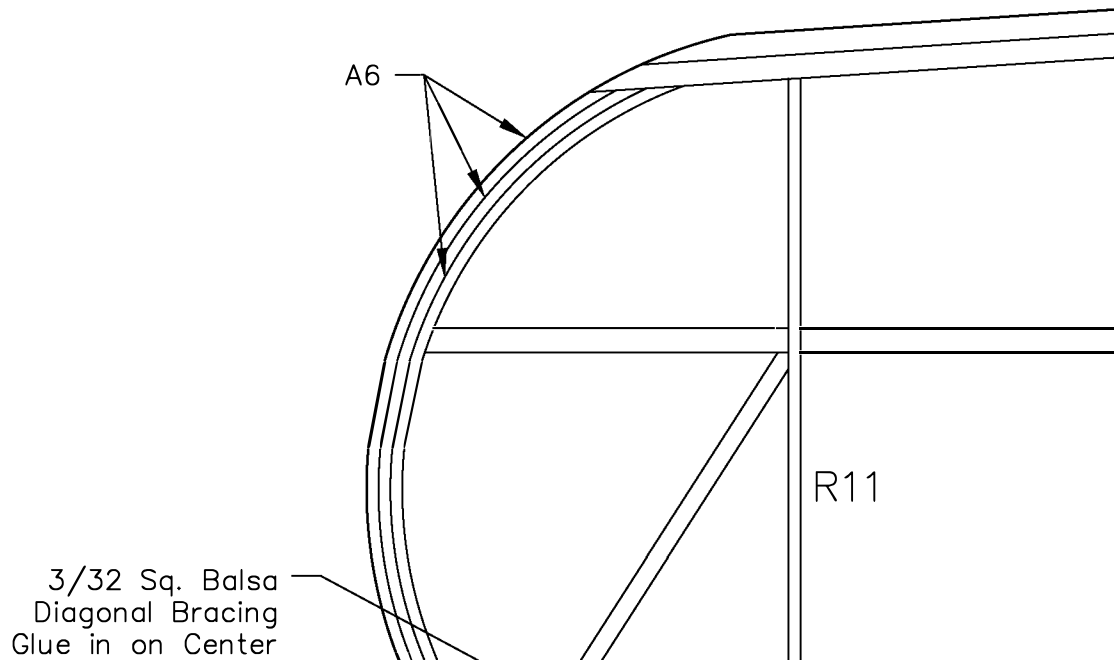
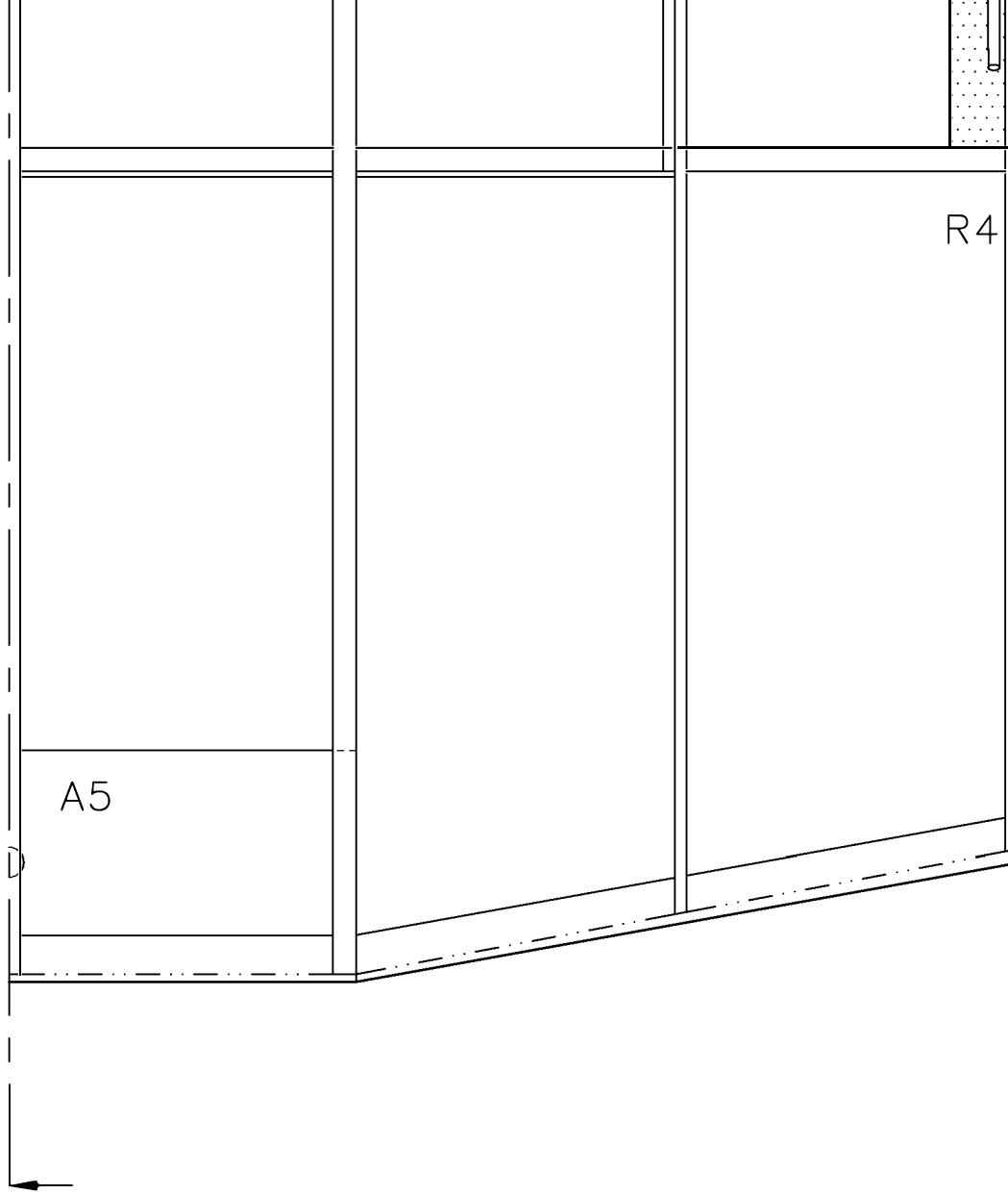
R11

2

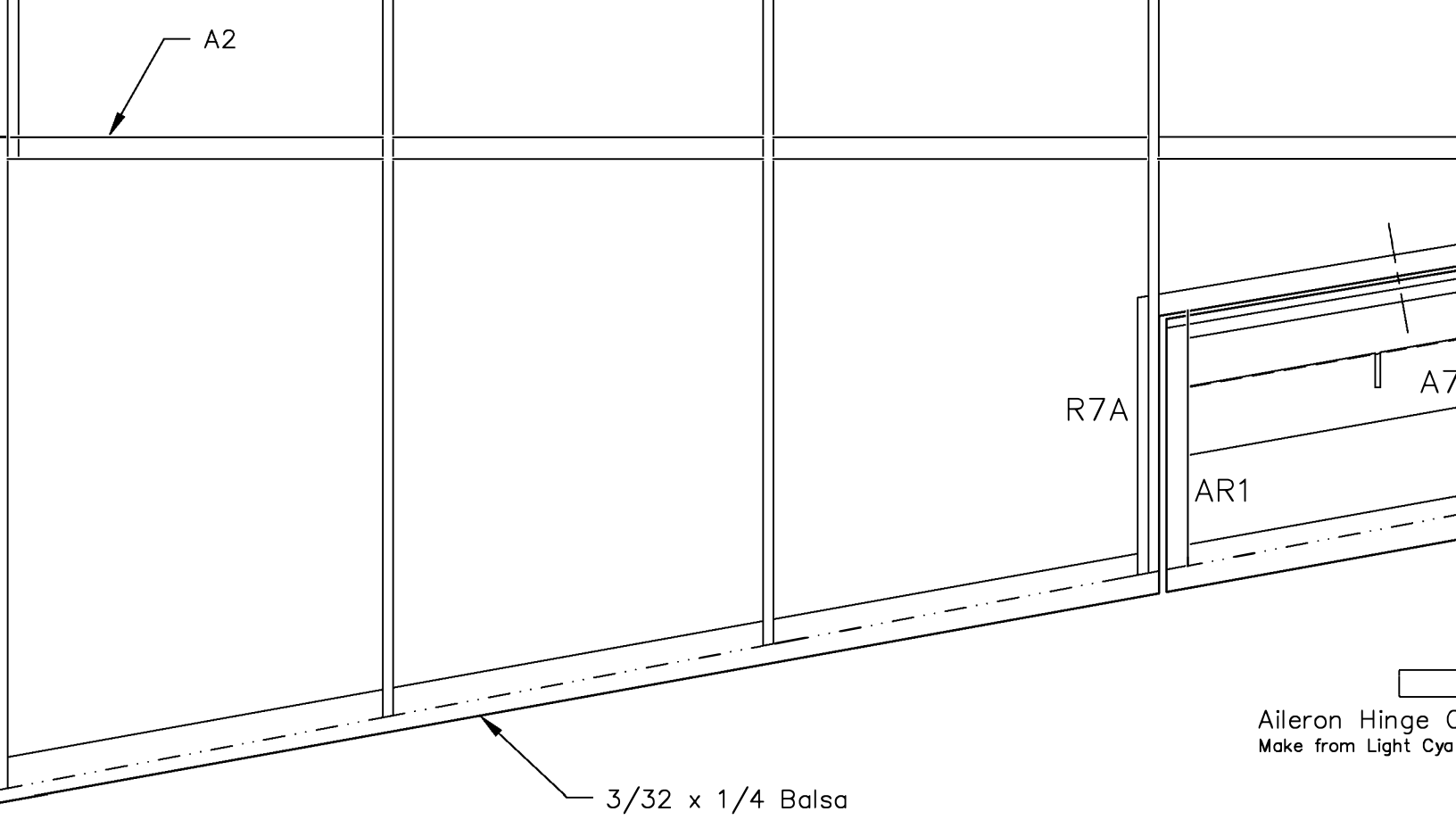




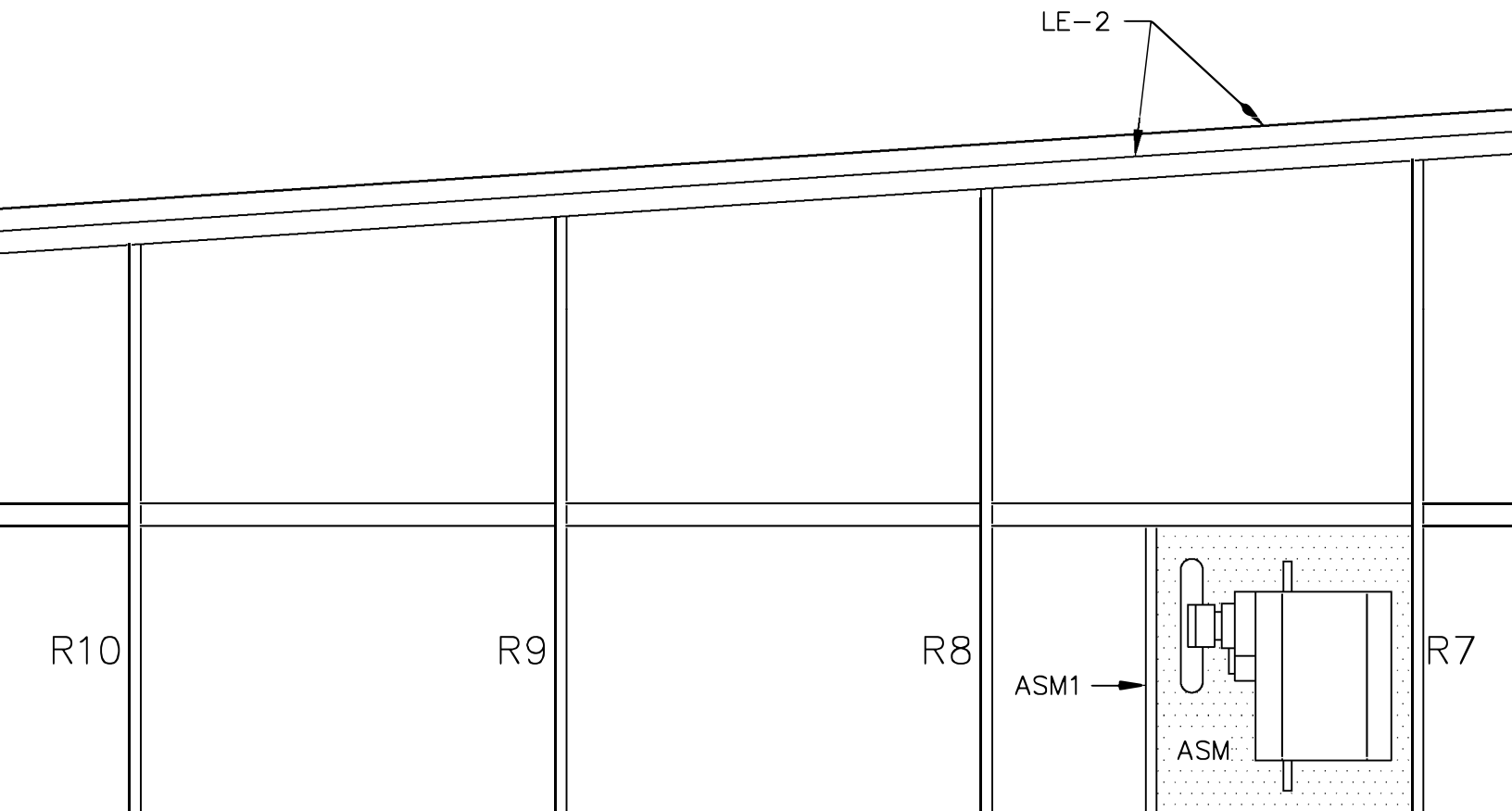




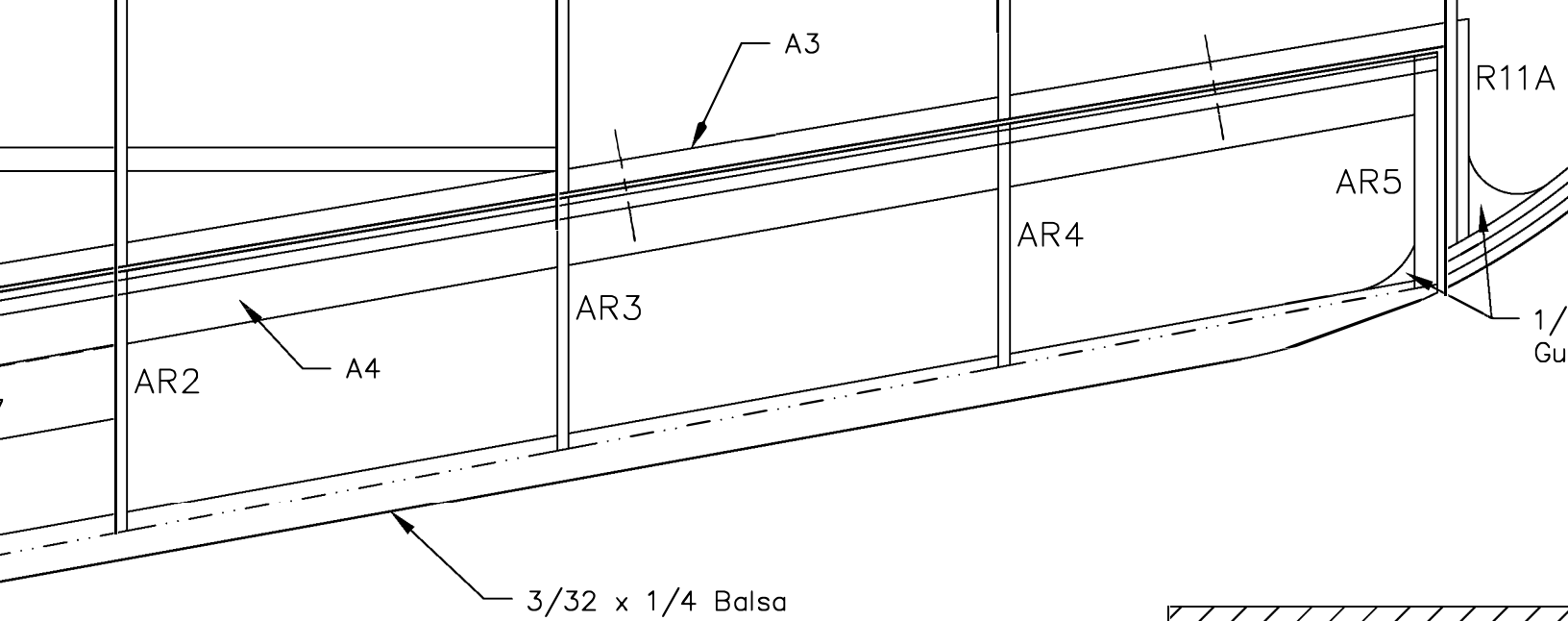
3/32 Sq. Balsa  
Diagonal Bracing  
Glue in on Center



# Wing Assen





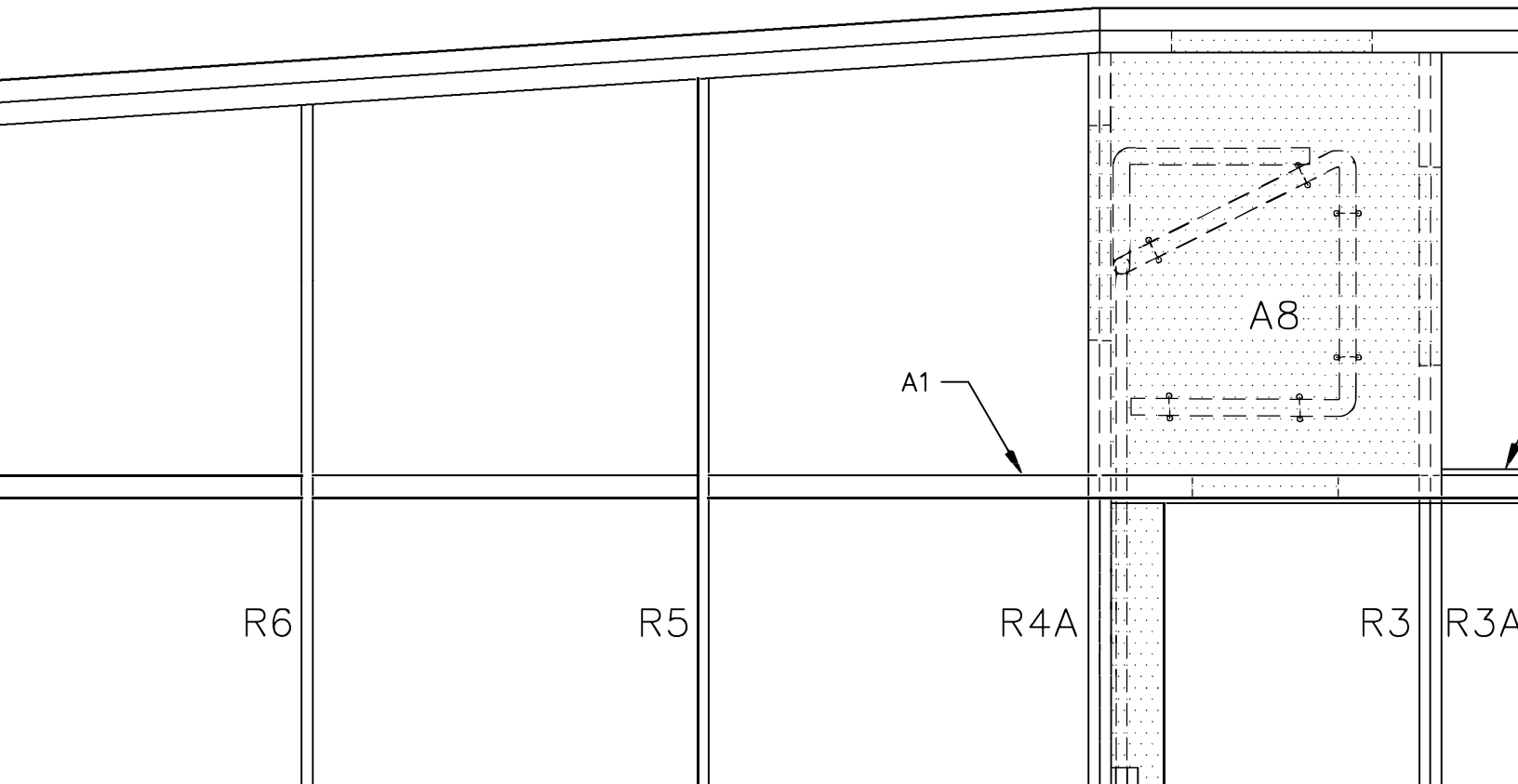


3/32 x 1/4 Balsa

Cutting Pattern  
Hinge Stock 4 Req.

Note: Cut the  
Drawings from the  
Together at the  
the One-

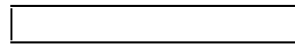
# Assembly Drawing



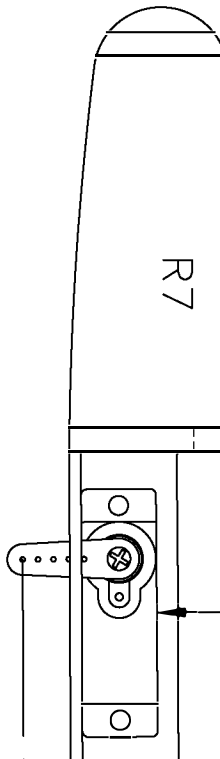
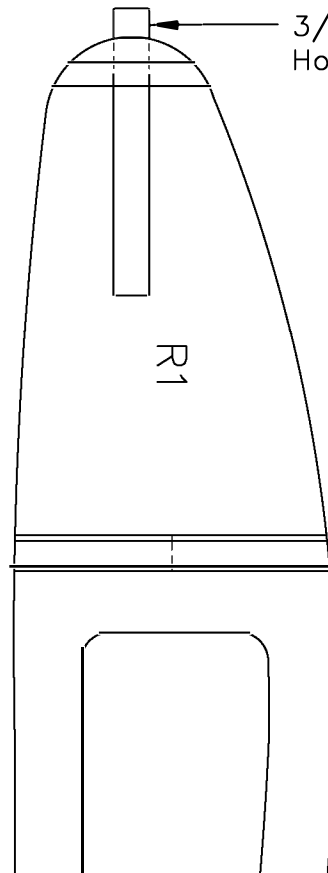
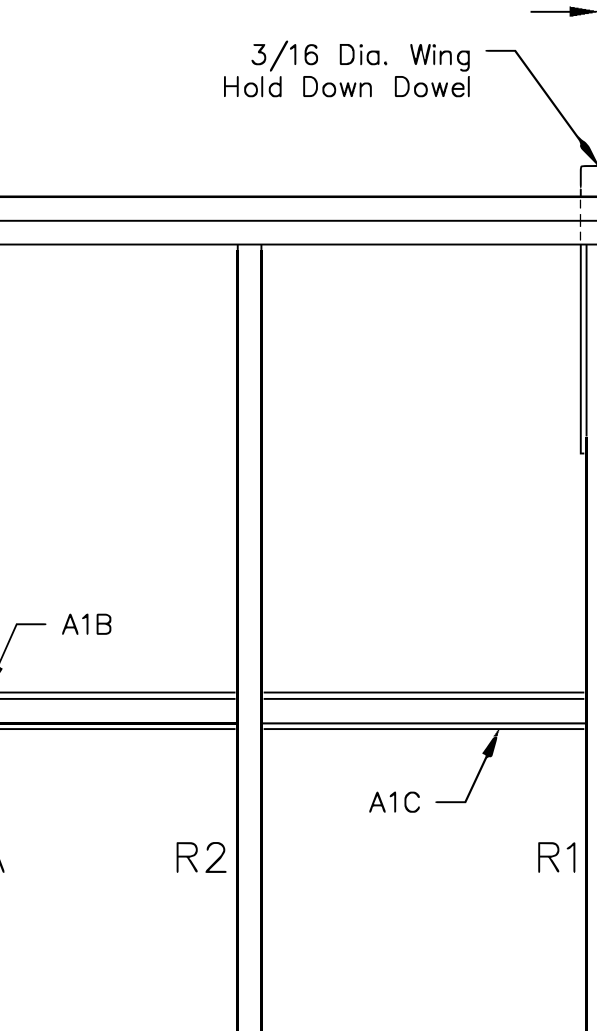
16 Balsa  
Assets

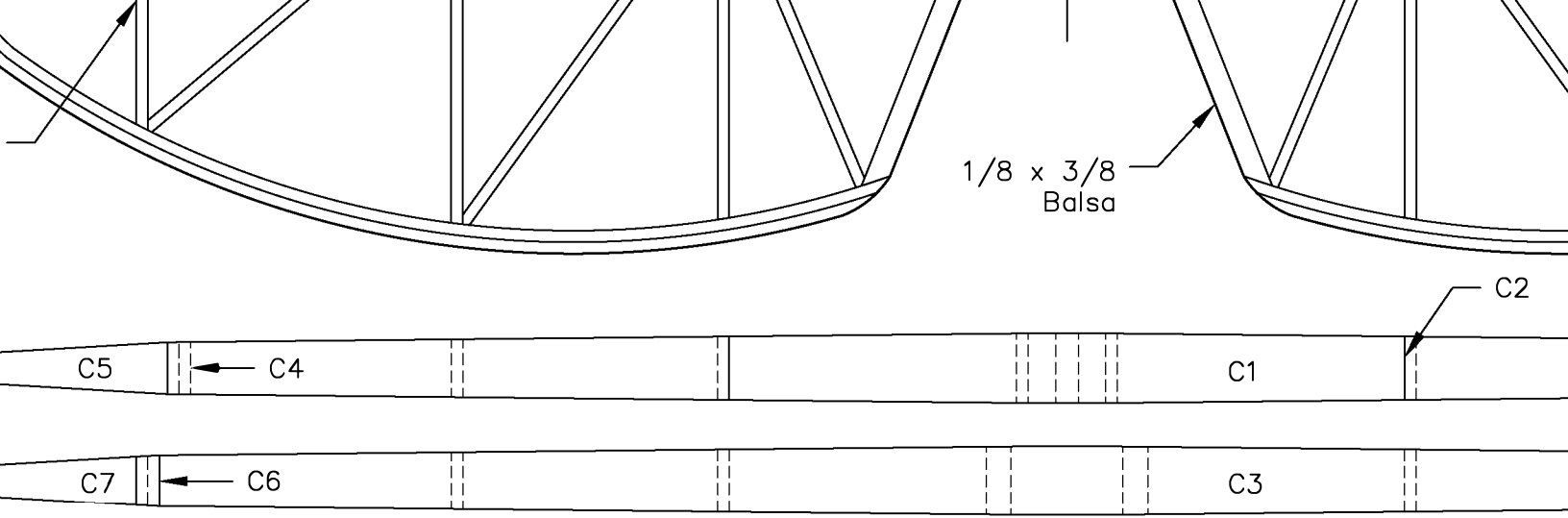
1/16 x 3/8  
Balsa Ribs

Wing Assembly  
the Plan and Tape  
Centerline to Build  
Piece Wing

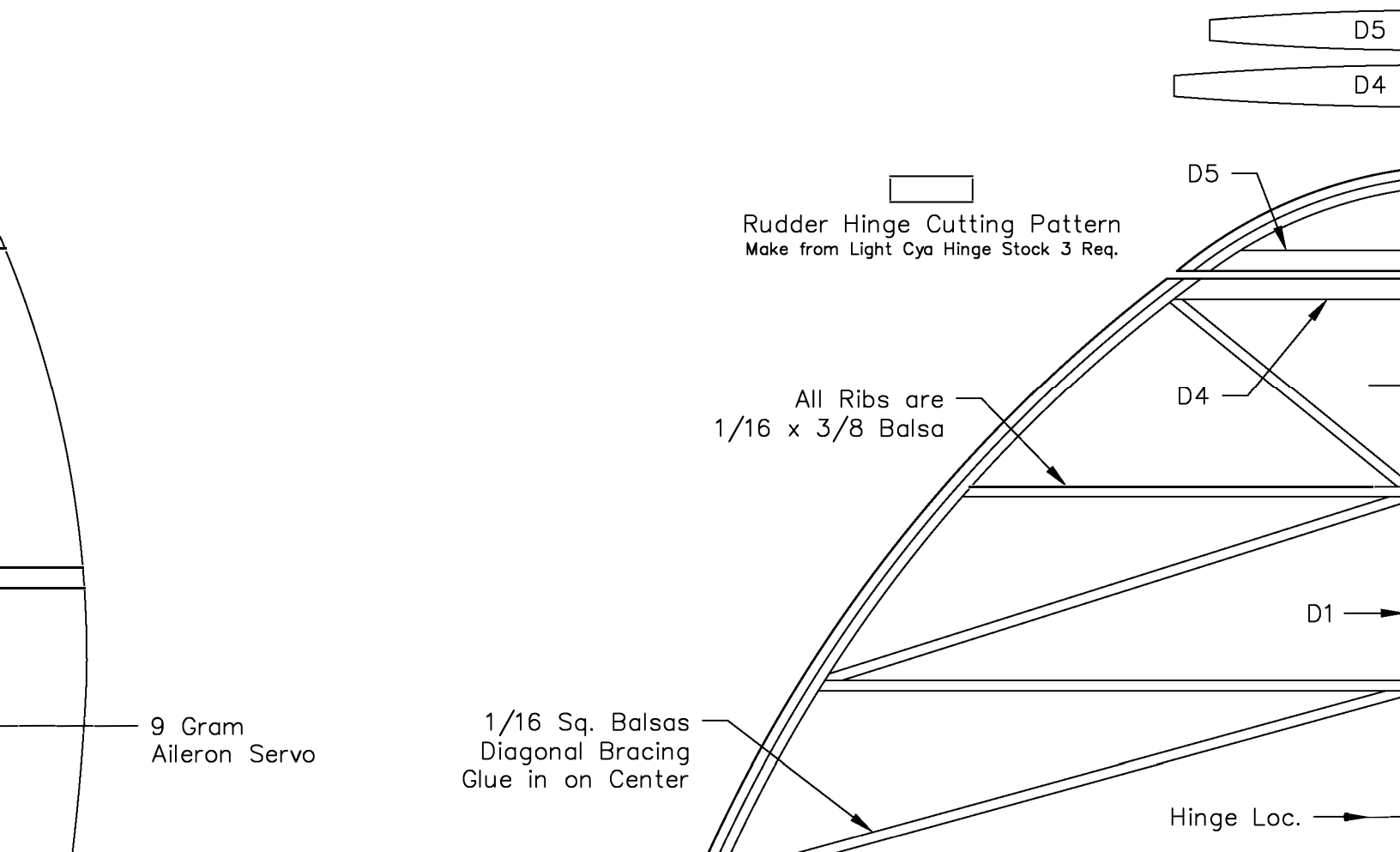


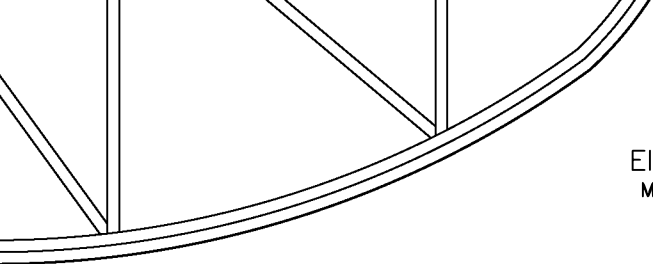
3/16 Dia. Wing Hold Down Dowel



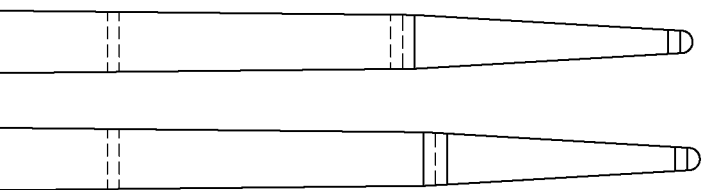


# Horizontal Stabilizer Assembly



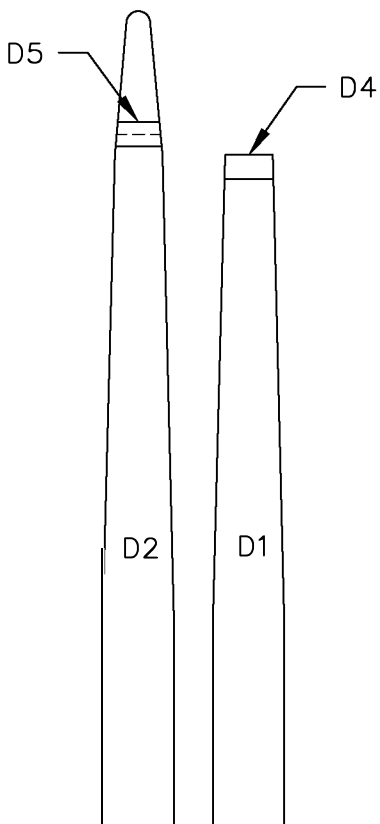
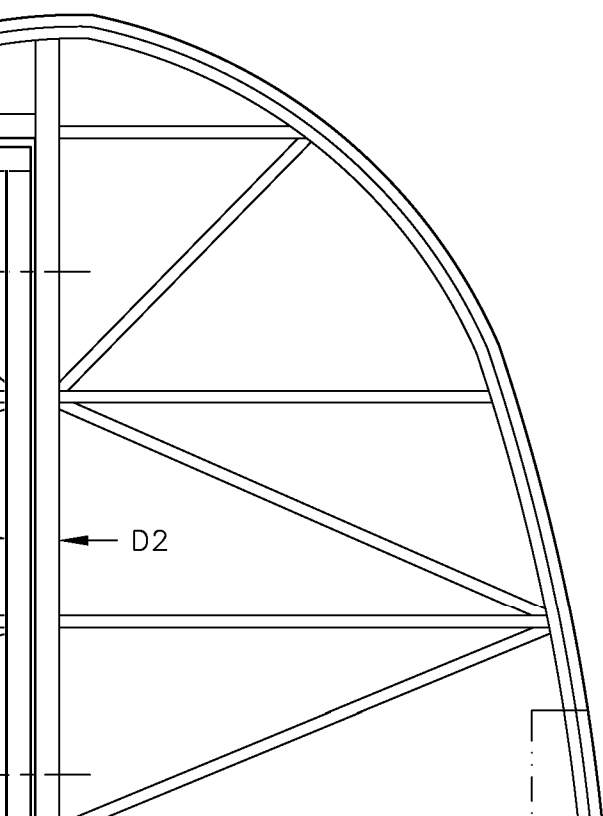
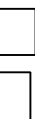


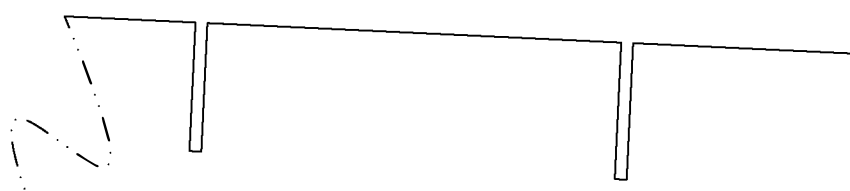
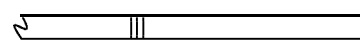
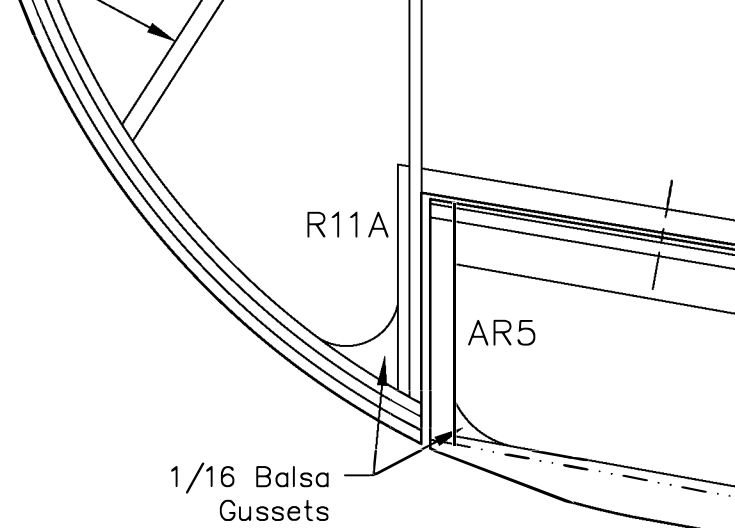
Elevator Hinge Cutting Pattern  
Make from Light Cya Hinge Stock 4 Req.

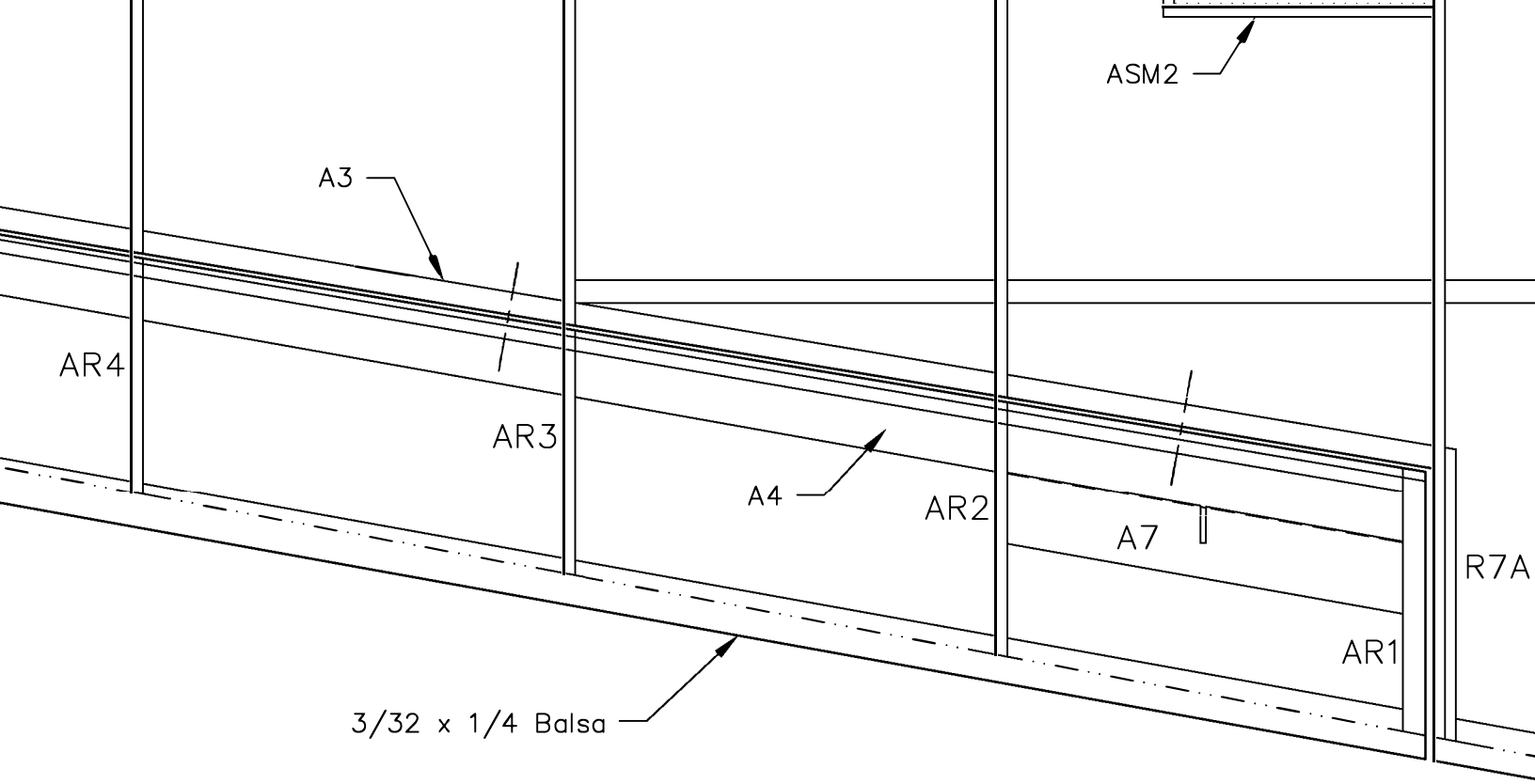


y Drawing

Note: All Ribs are 1/16 x 3/8 Balsa  
Sanded to an Airfoil Shape  
All Diagonal Bracing is 1/16 Sq. Hard  
Balsa Glued in on Center

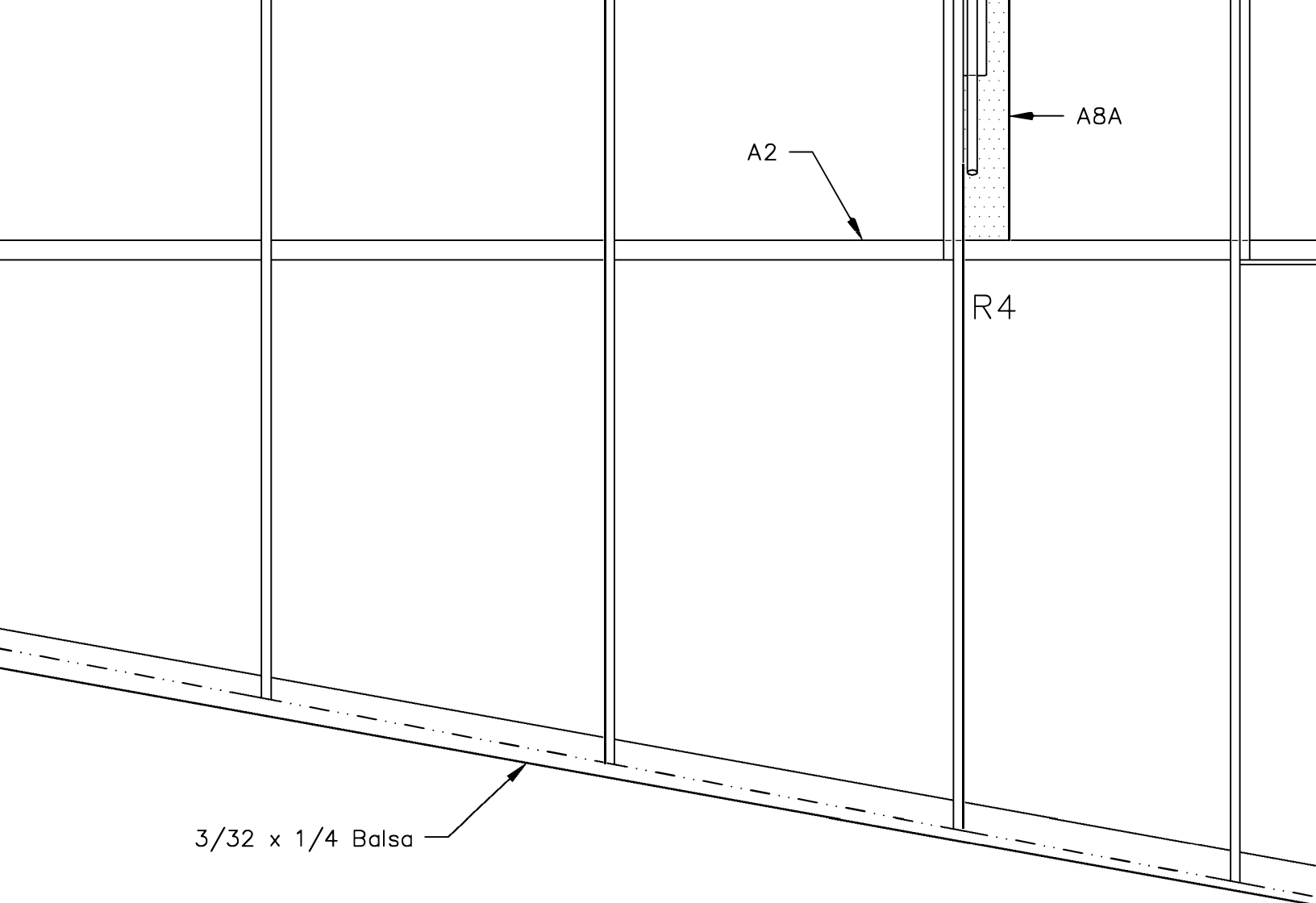




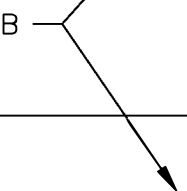
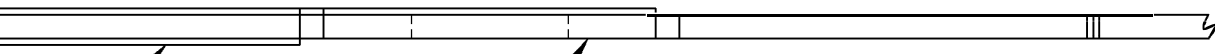


# Main Spar Assembly Detail Dra

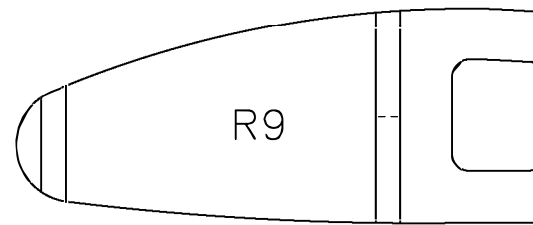
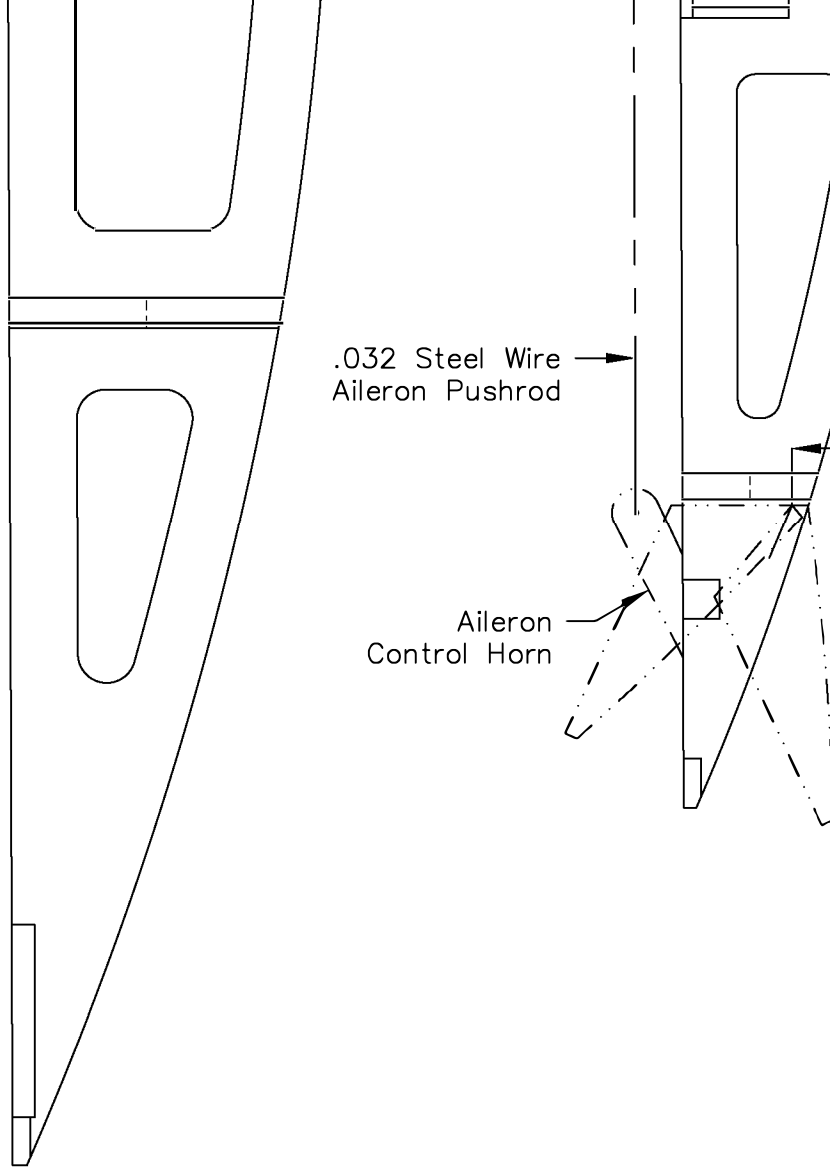
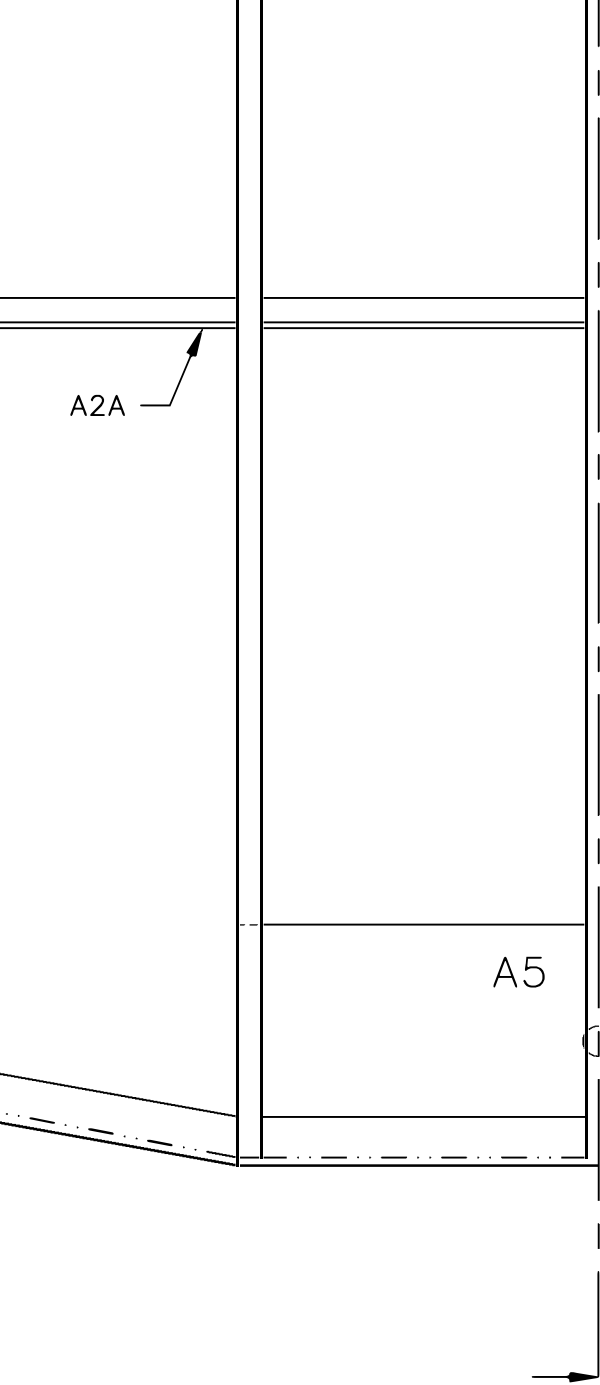




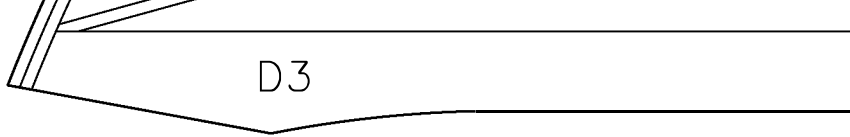
wing



A1

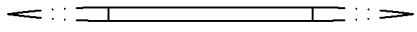






# Rudder Assembly Drawing

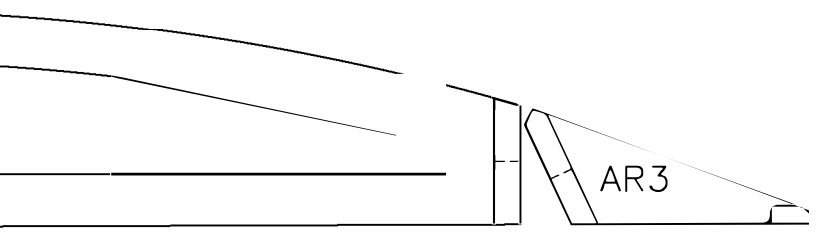
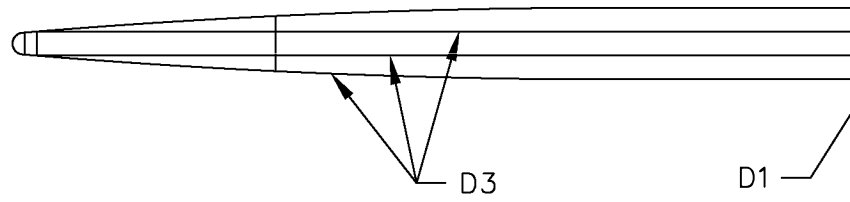
Hinge Loc.

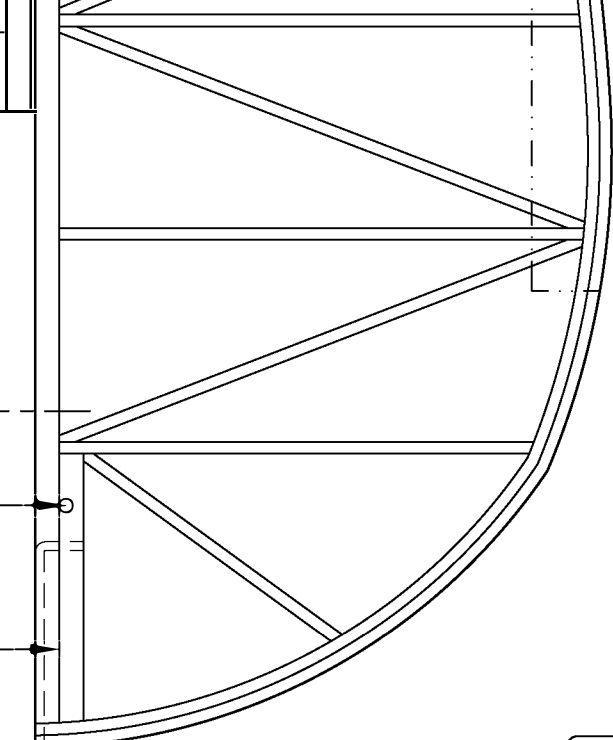


Toothpick Control Horn

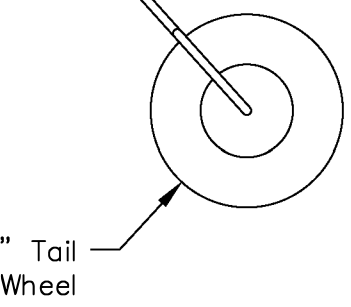
Toothpick Rudder  
Control horn

1/8 x 3/8 Balsa

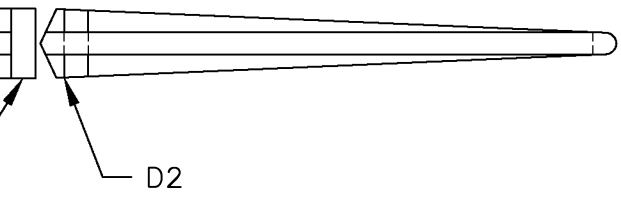




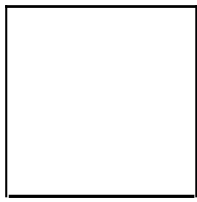
Tail Wheel Strut  
Make from .046 Steel Wire.

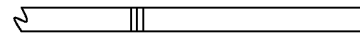
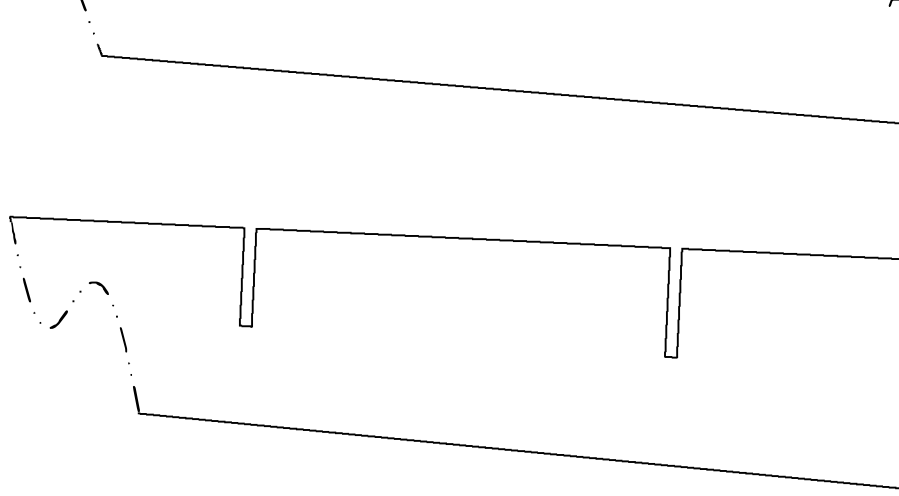


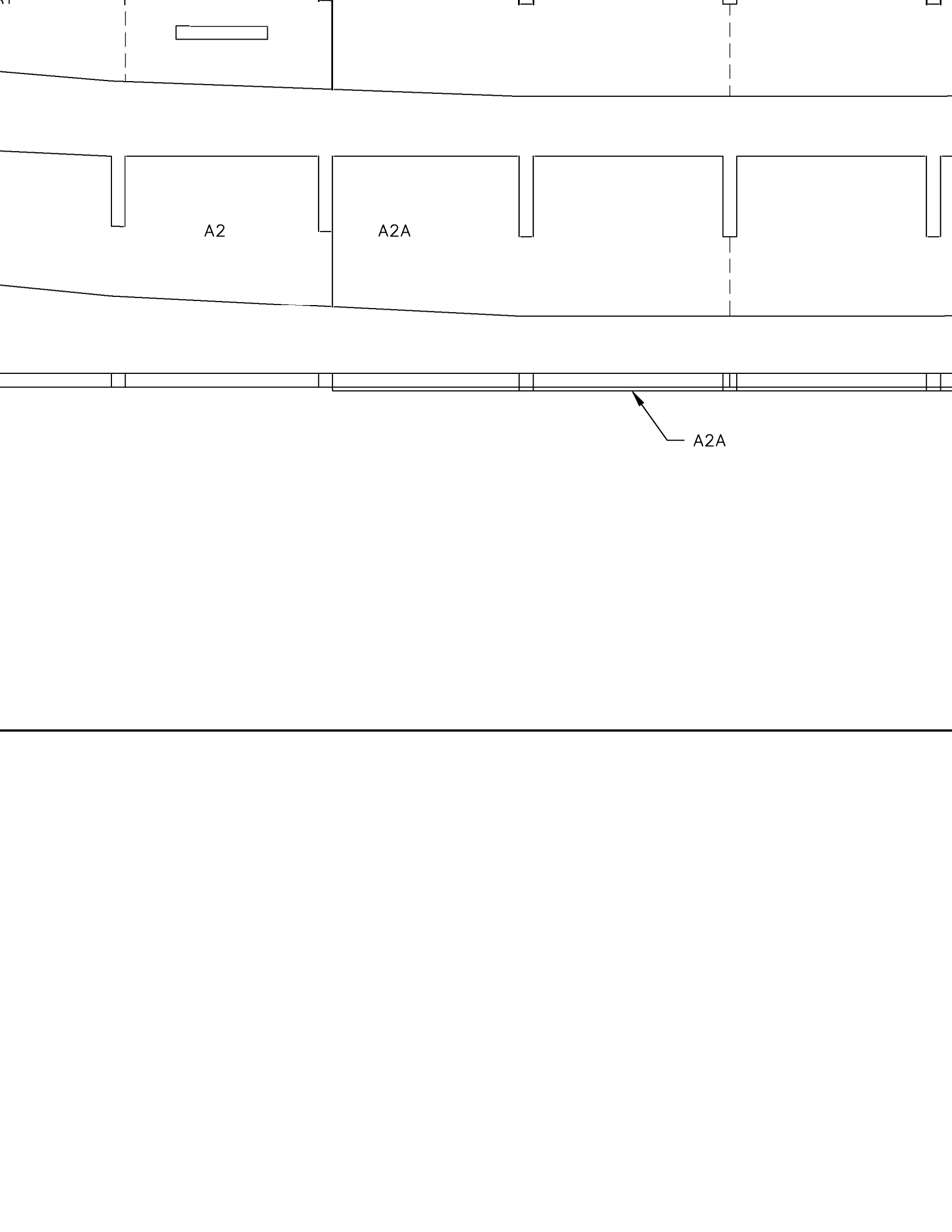
" Tail  
Wheel

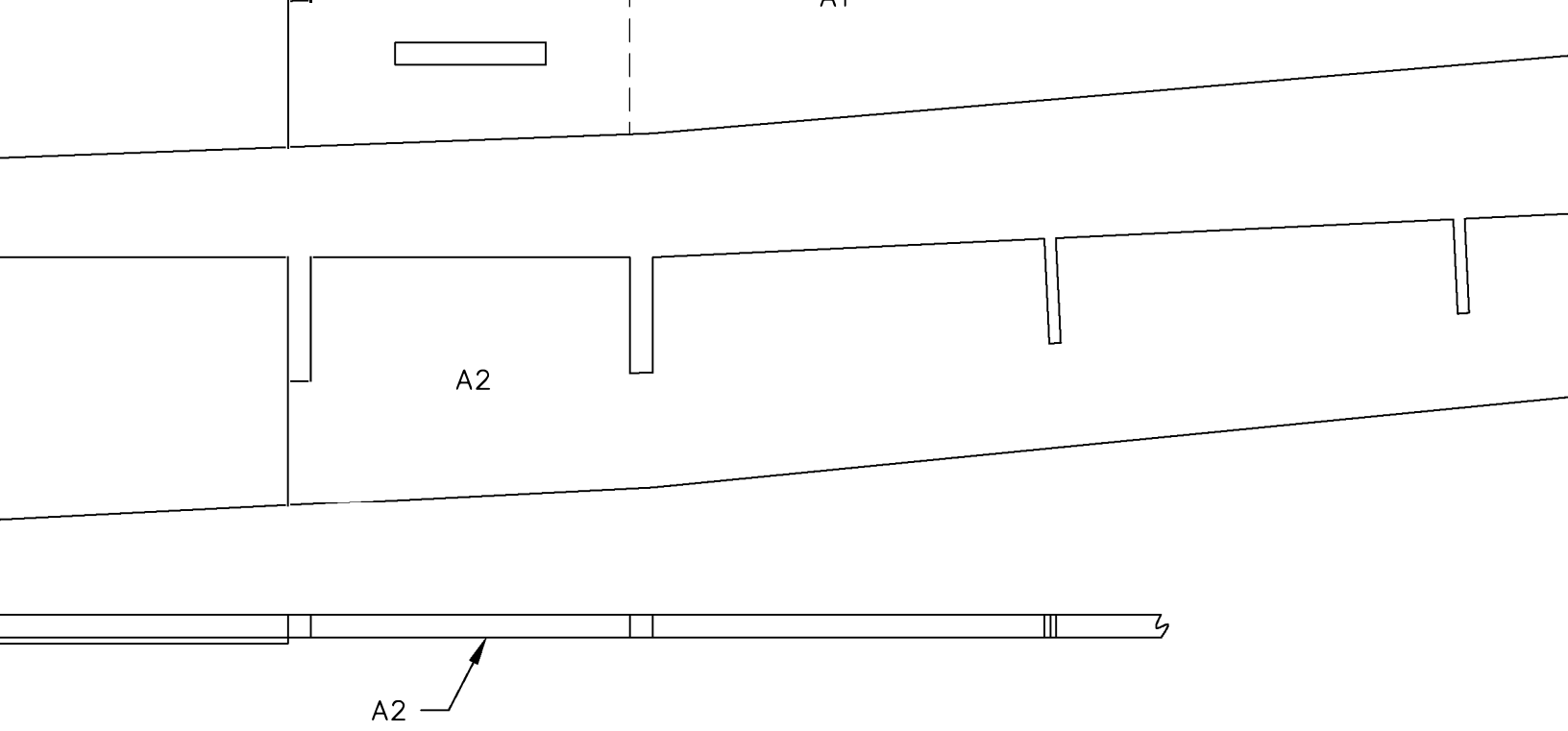


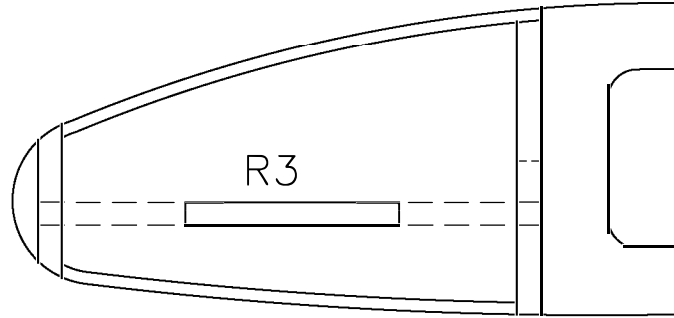
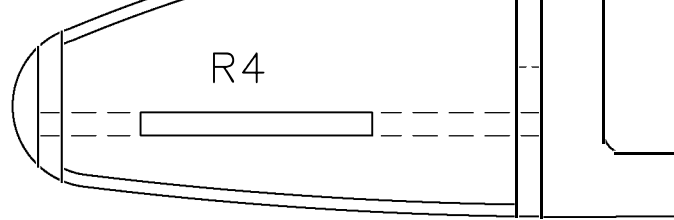
1 inch reference square



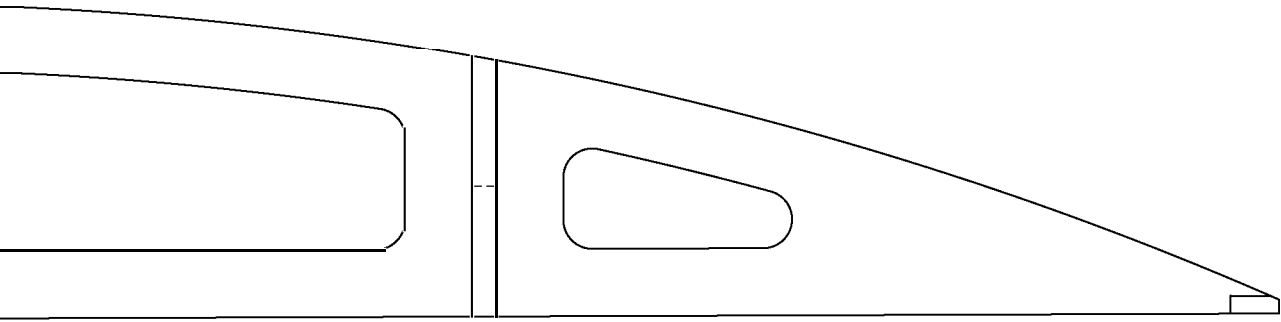
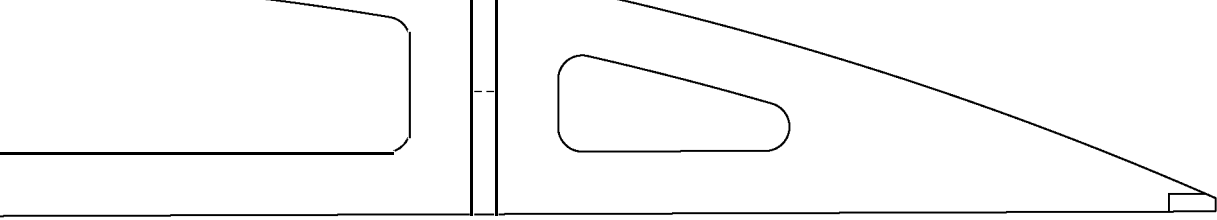








Wing Rib



o Detail Drawings

---

Copyright 2023



and **ModelAviation**  
Bringing Modelers Together

**Copying for resale of this drawing without  
the written approval or consent of AMA  
is expressly prohibited.**

**Plan No. 1136**

Hawker Hurricane

Span: 48"      Length 37.3"

Wing Area: 382.4 Sq. In.

Flying Weight: 20.5 Oz.

Wing Loading: 7.75 Oz./ Sq. Ft.

Des. by: Pat Tritle for Model Aviation Magazine

Sheet 2 of 3



2-20-2023