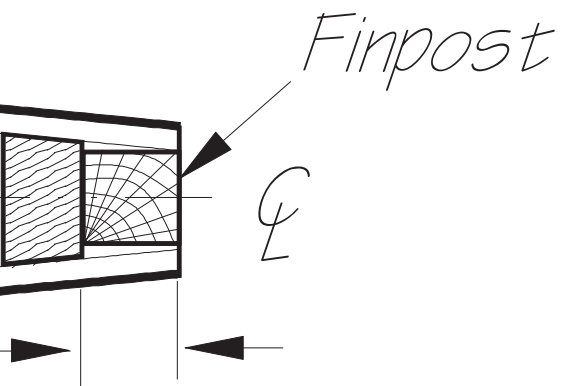




tiffener F6

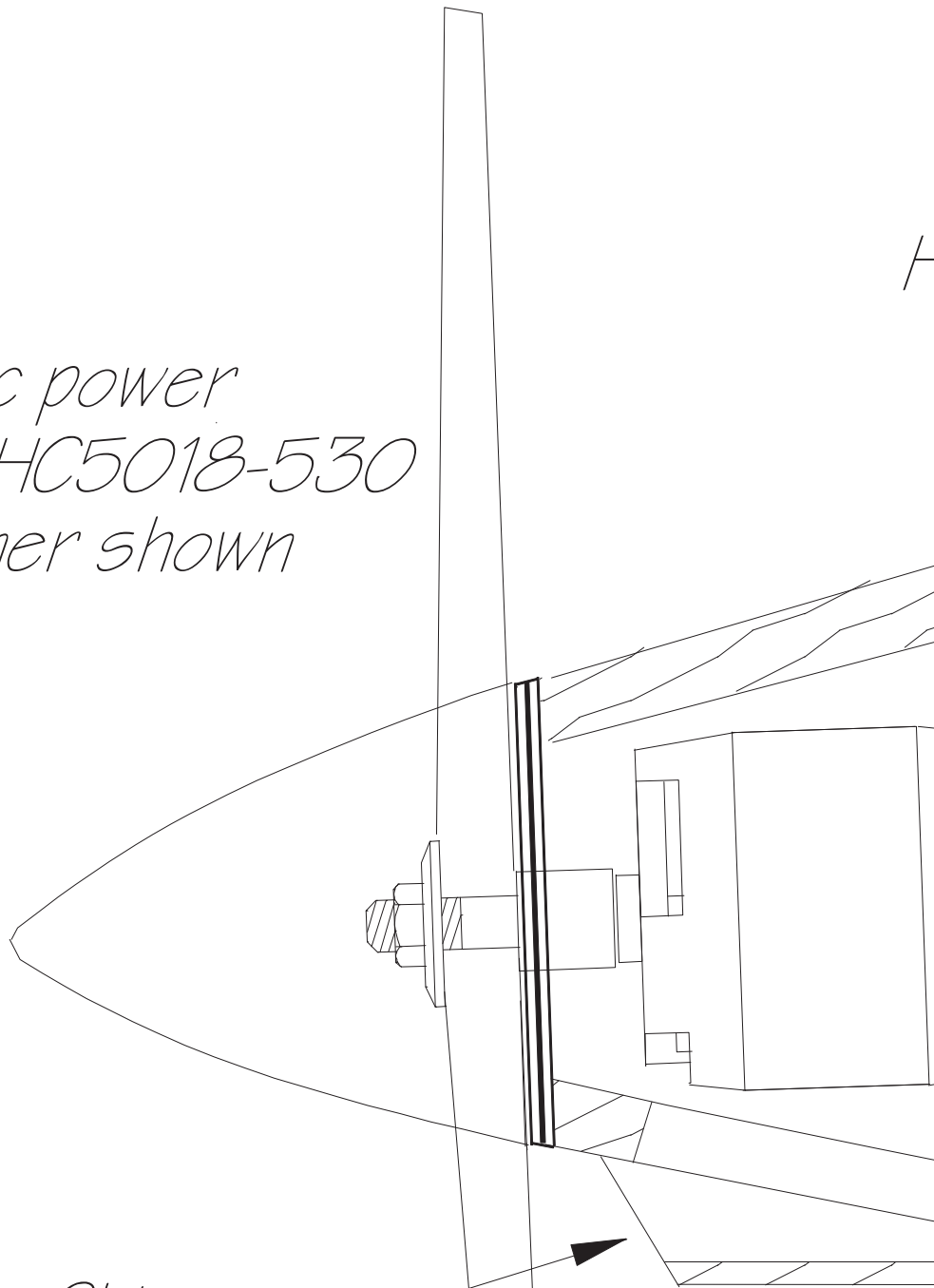
F7





ELECTRIC VERSION - NOSE DETAIL

Electric power  
HiMax HC5018-530  
Outrunner shown



Chin scoop

Slots for hook & loop straps

1/8 Ply doubler

Taildragger configuration

Battery access hatch

Hatch is planked with 1/8 Balsa sheet

Hatch baseplate

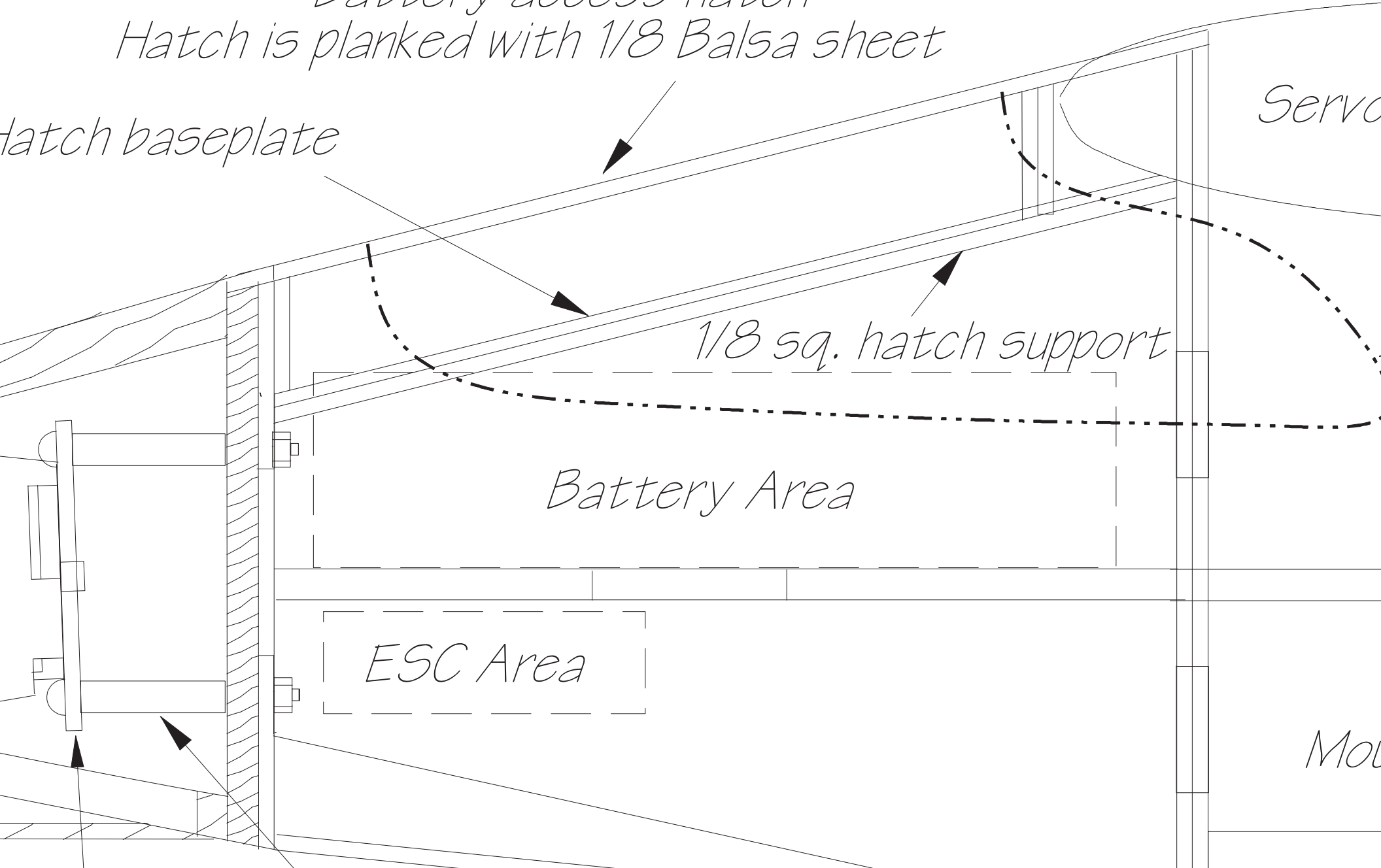
Servo

1/8 sq. hatch support

Battery Area

ESC Area

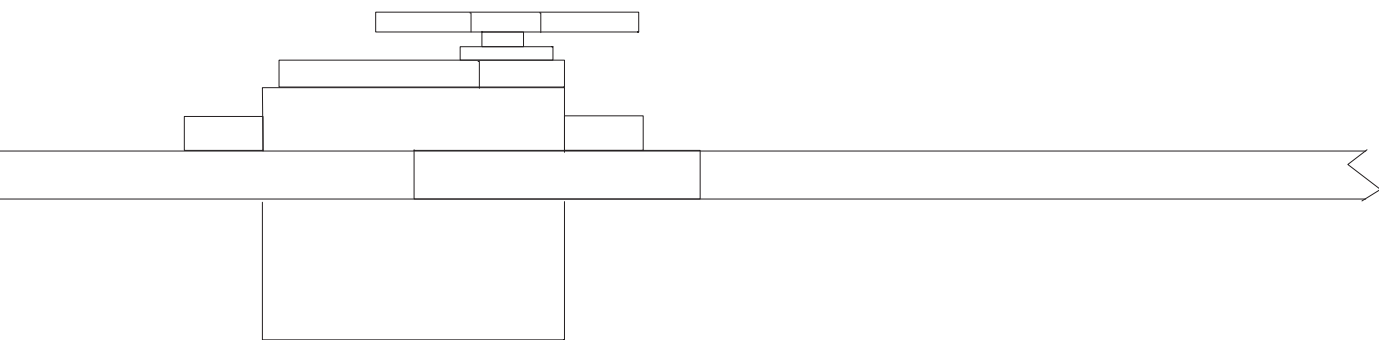
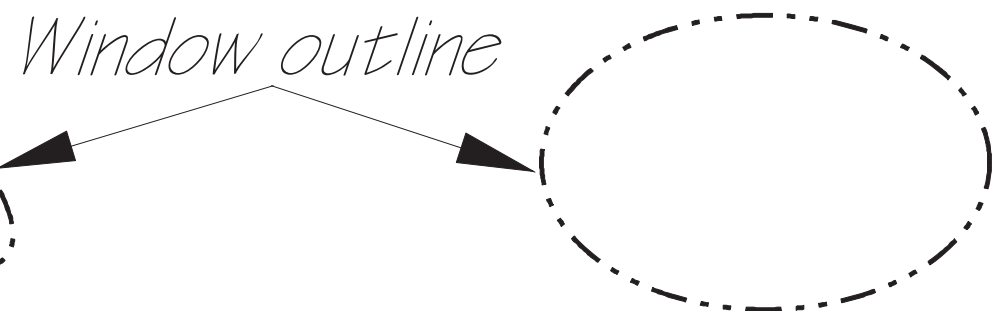
Mou





ops can be positioned for best balance

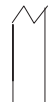
Window outline



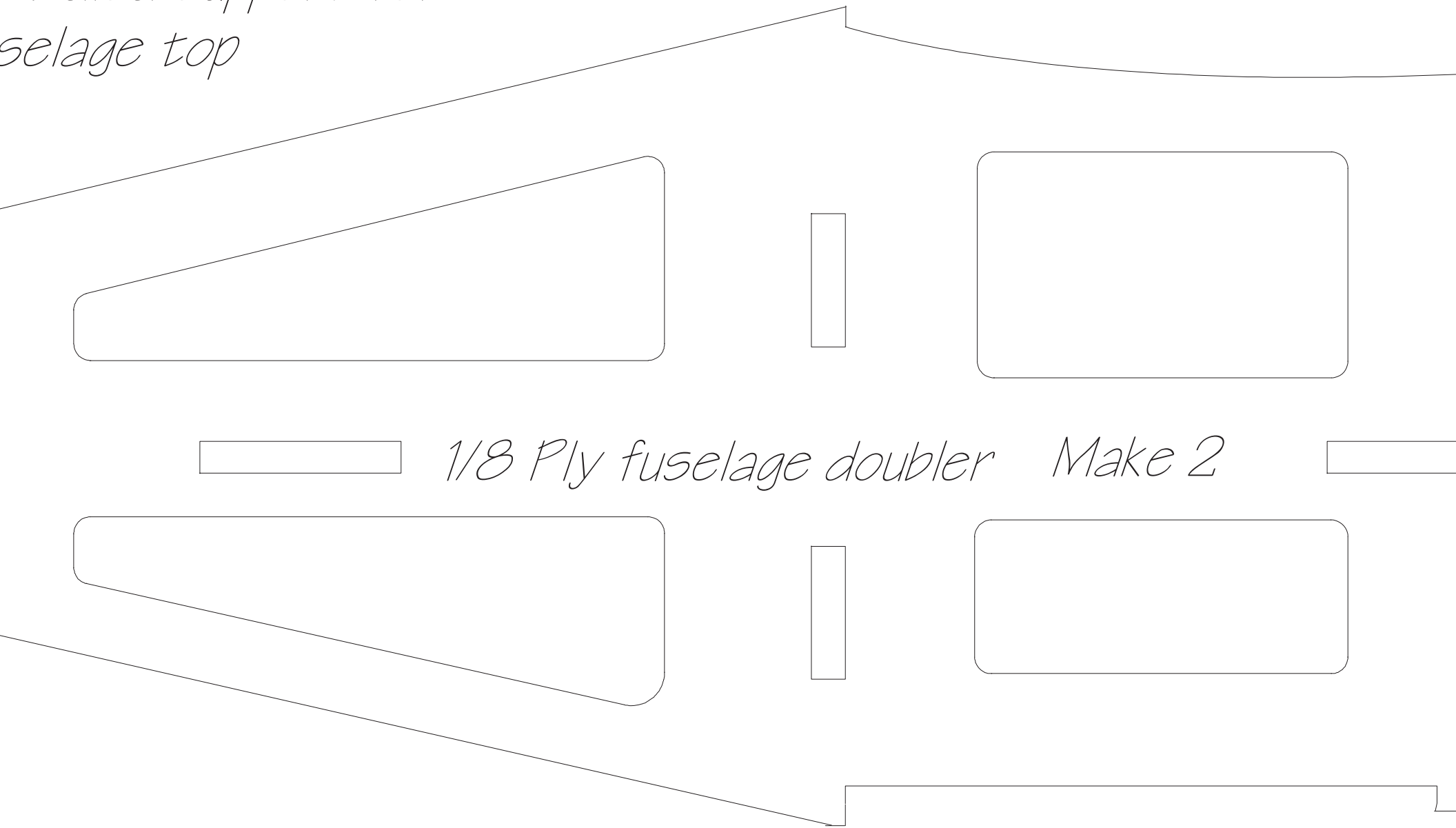
Mount LG block with holes forward for taildragger

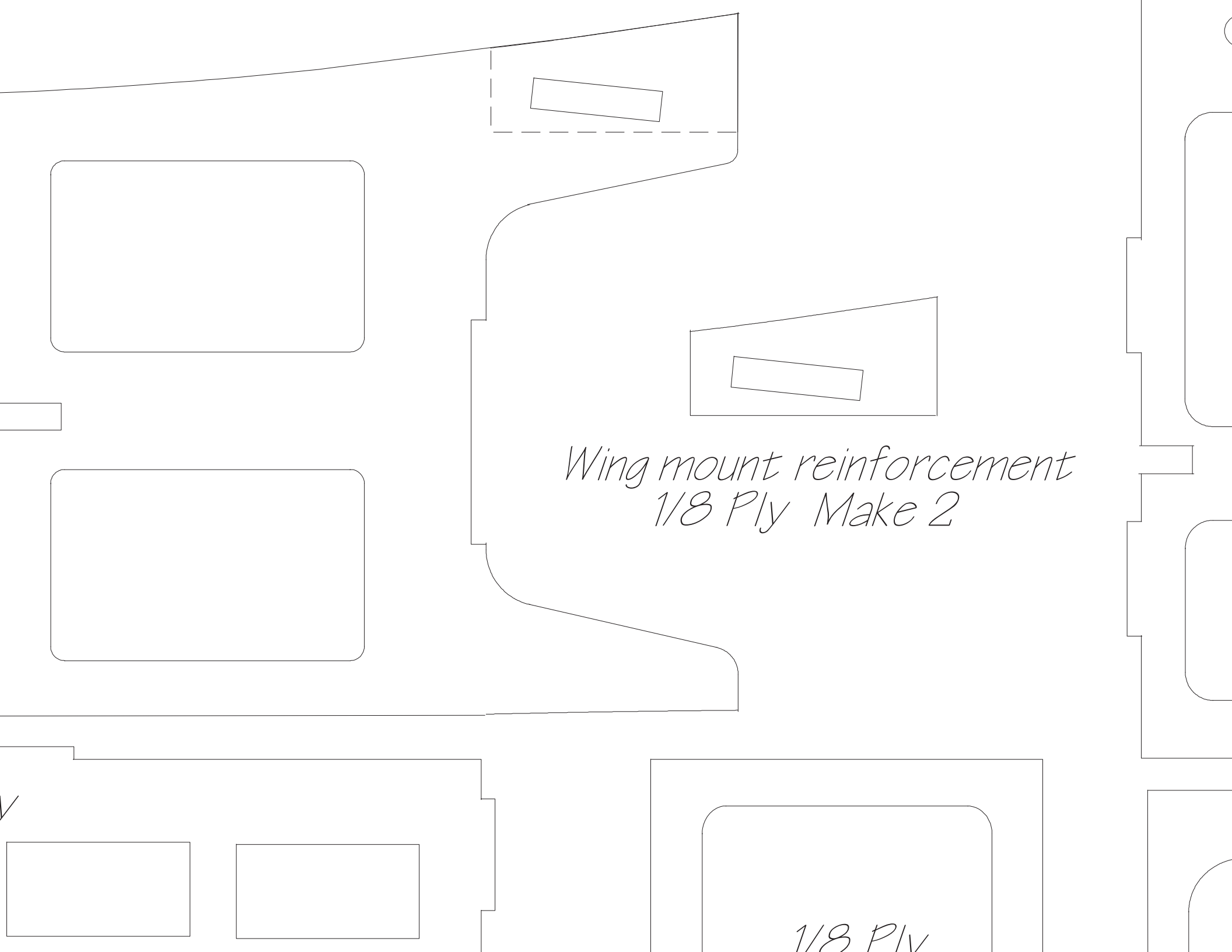


Vent bottom



1" Balsa support for  
fuselage top





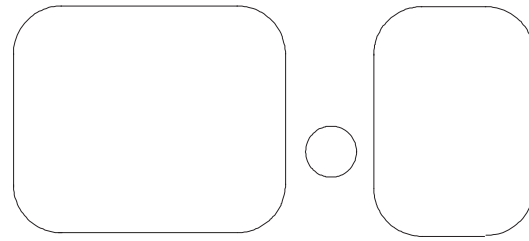
*Wing mount reinforcement  
1/8 Ply Make 2*

*1/8 Ply*

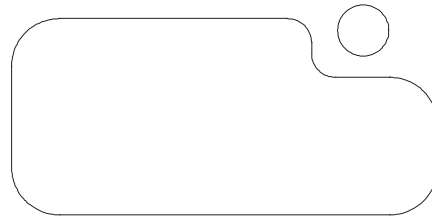
F3 F4

F3 & F4  
1/8 Ply

F5 1/8 Ply



F6 1/8 Ply



F7  
1/8 Ply

crimscope  
(optional on glow)

M1- Motor

M  
fo

1-3/4

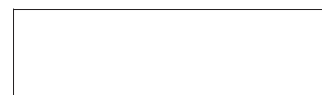
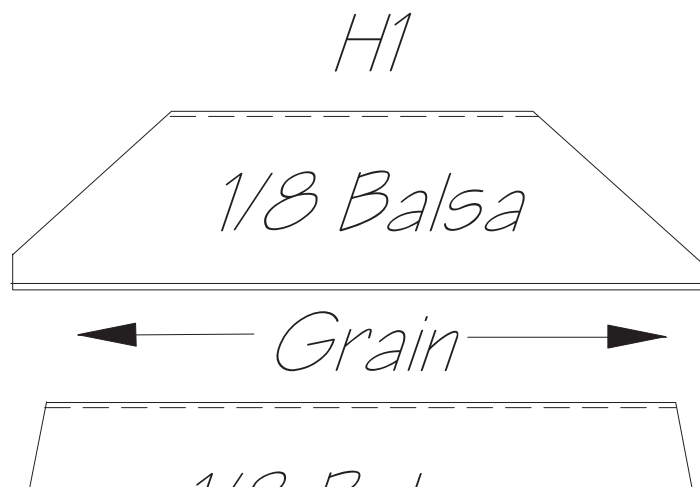
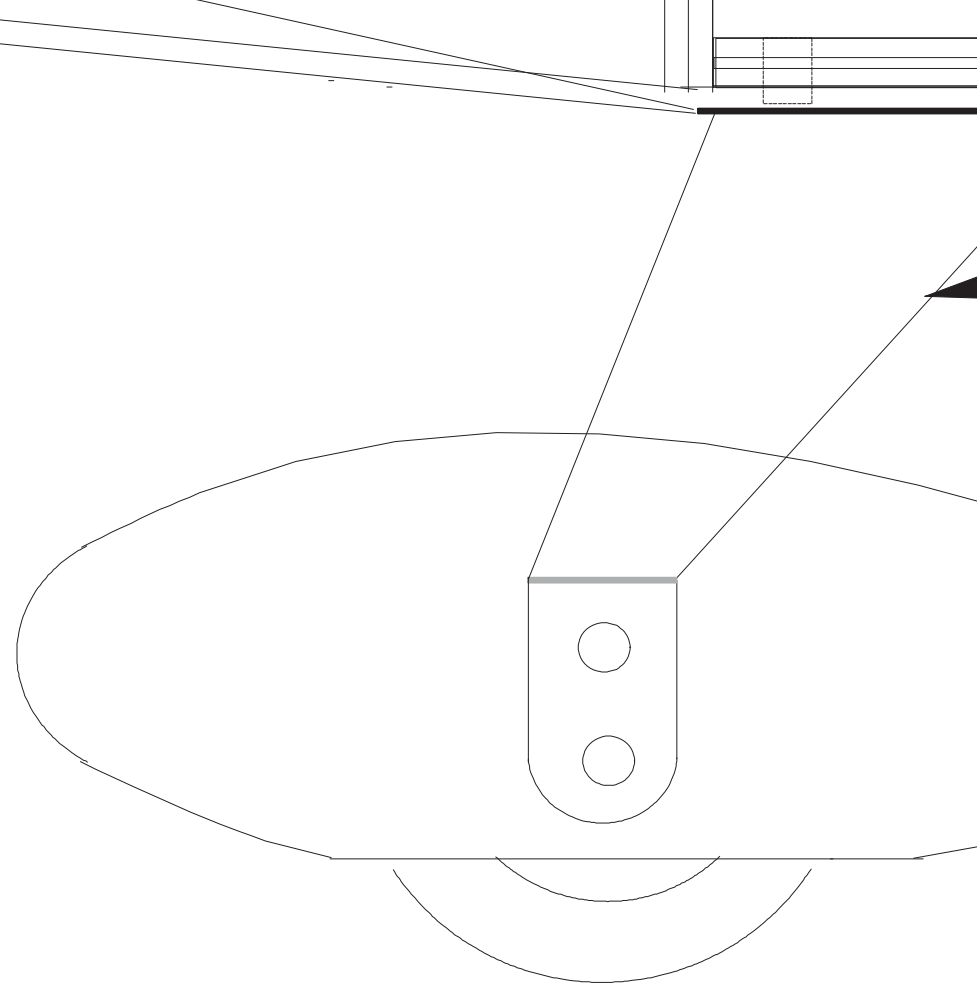
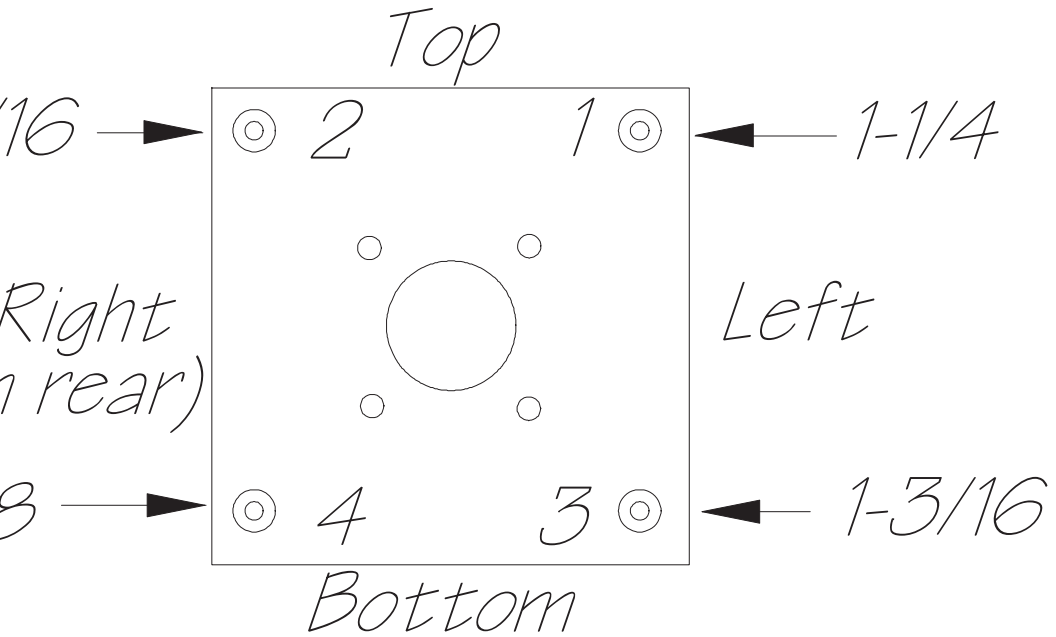
(Looking from

1-1/2

mount plate

Standoff

Motor mount standoff lengths  
for 2° down & right thrust



LG r  
1/8

Removable hatch option

(Electric only)

Creative Hobbies #3728

Note: The taildragger version uses the same aluminum landing gear as the tricycle gear version.

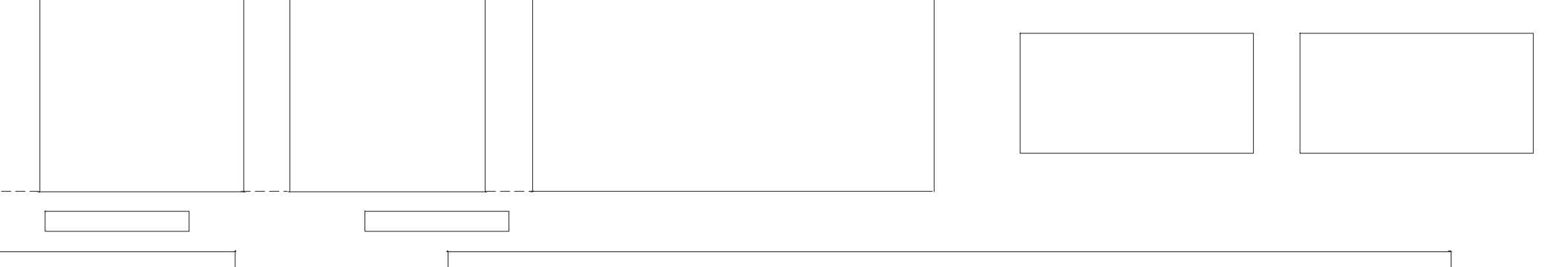
Optional Wheel Pants

reinforcement  
Ply Make 2

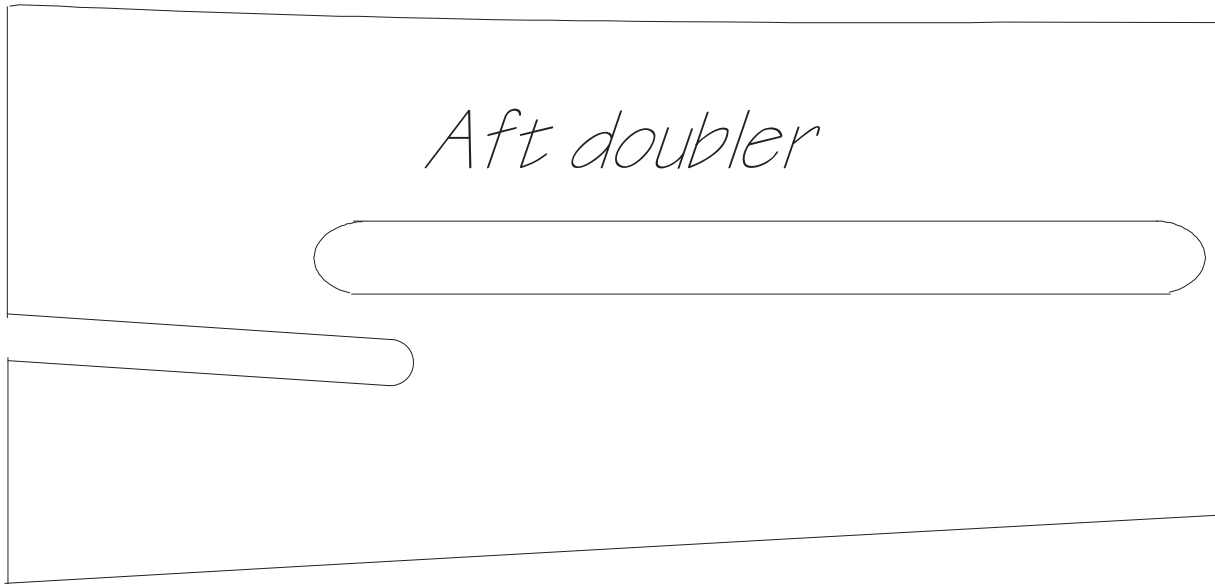
← Grain →

Fuselage top support  
1/8 Balsa

al on glow powered model

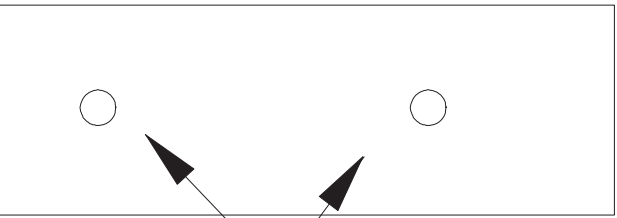


anding gear block  
1/4 Ply



Aft doubler

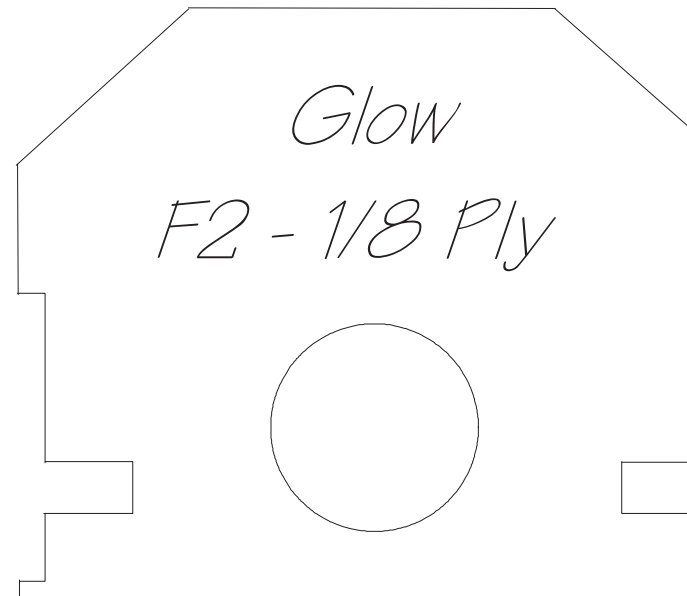
ing retainer - 1/4 Ply



ap holes 1/4-20



Glow  
Firewall - 1/4 Ply



Glow  
F2 - 1/8 Ply



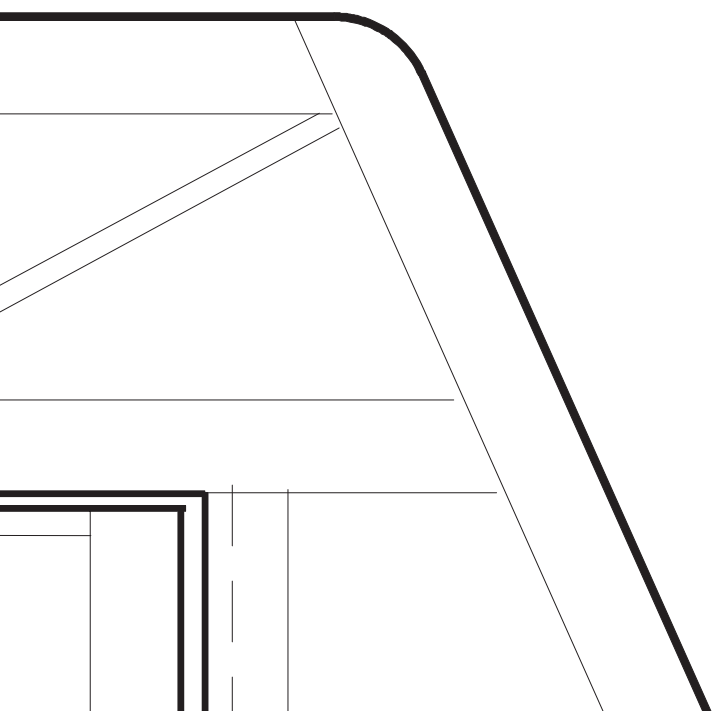
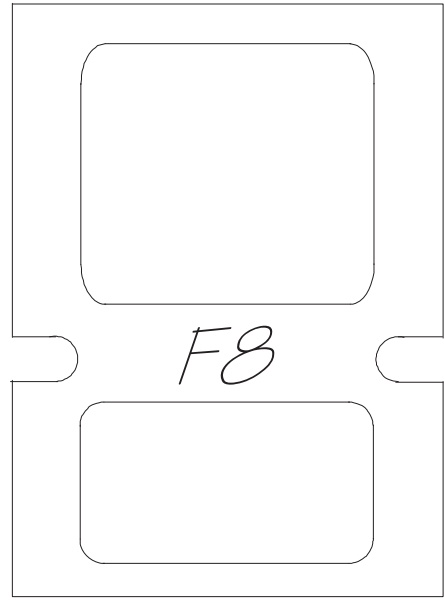
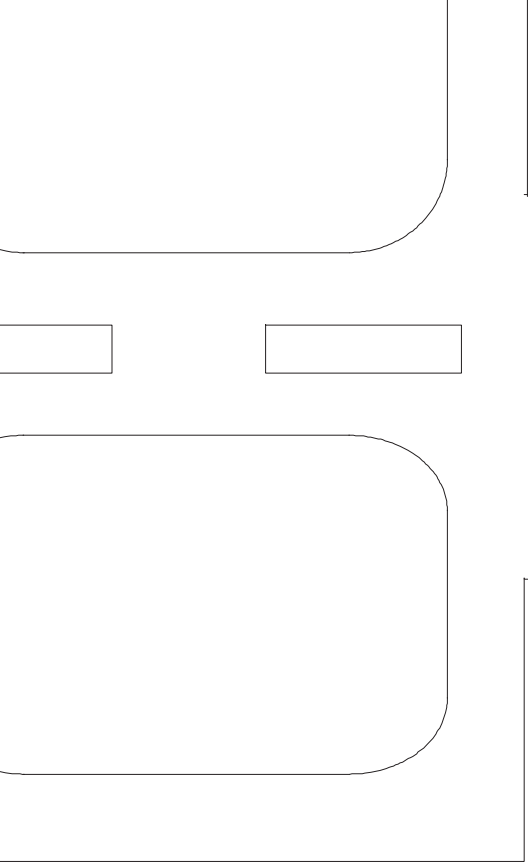
*1/8 Ply*  
Hatch  
Baseplate

*1/8 Ply*

*Motor mount plate*

*Electric  
Firewall - 1/4 Ply*

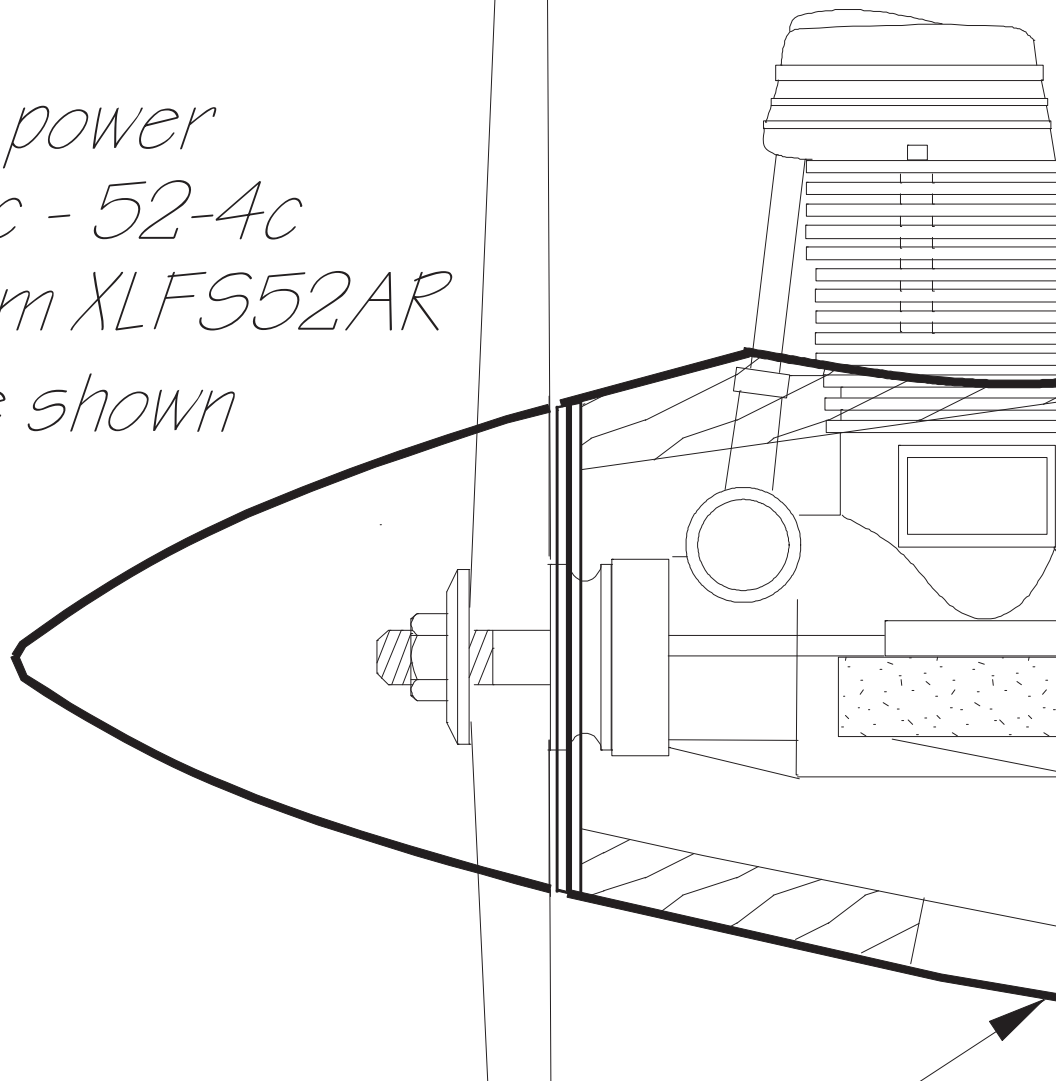
*Electric  
F2 - 1/8 Ply*



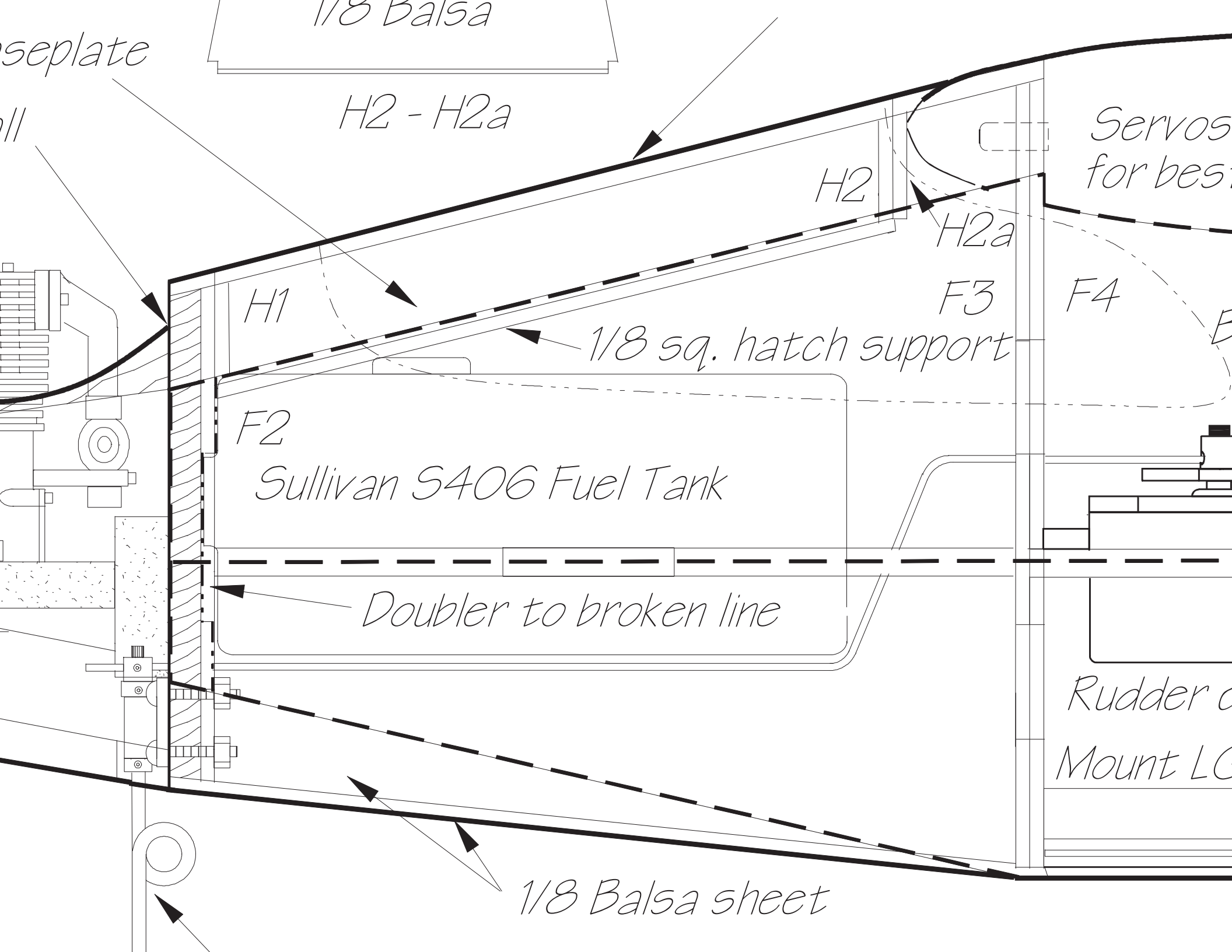
Hatch ba

Firewa

Glow power  
.40-2c - 52-4c  
Magnum XLFS52AR  
engine shown



Cowl vent



and flight battery can be positioned  
t balance

T A  
Balance Range  
T - Trainer  
A - Aerobatic

Wing retainer

1/4-20

F1

Joint stiffener

& nose wheel servo

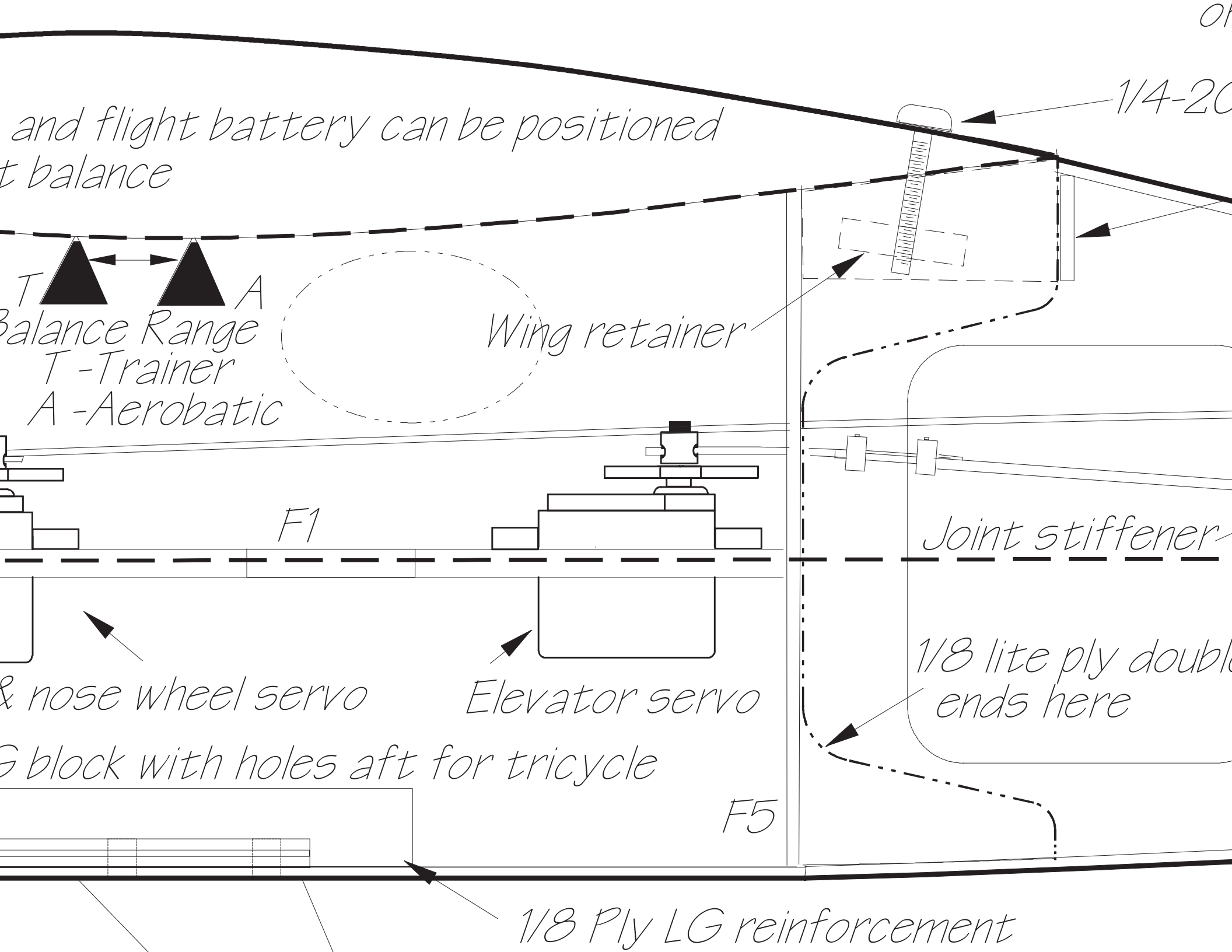
Elevator servo

1/8 lite ply double  
ends here

G block with holes aft for tricycle

F5

1/8 Ply LG reinforcement



drill for 1-nuts

2 nylon screws (2)

Fuselage top support

1/8 Balsa fuselage top

F7

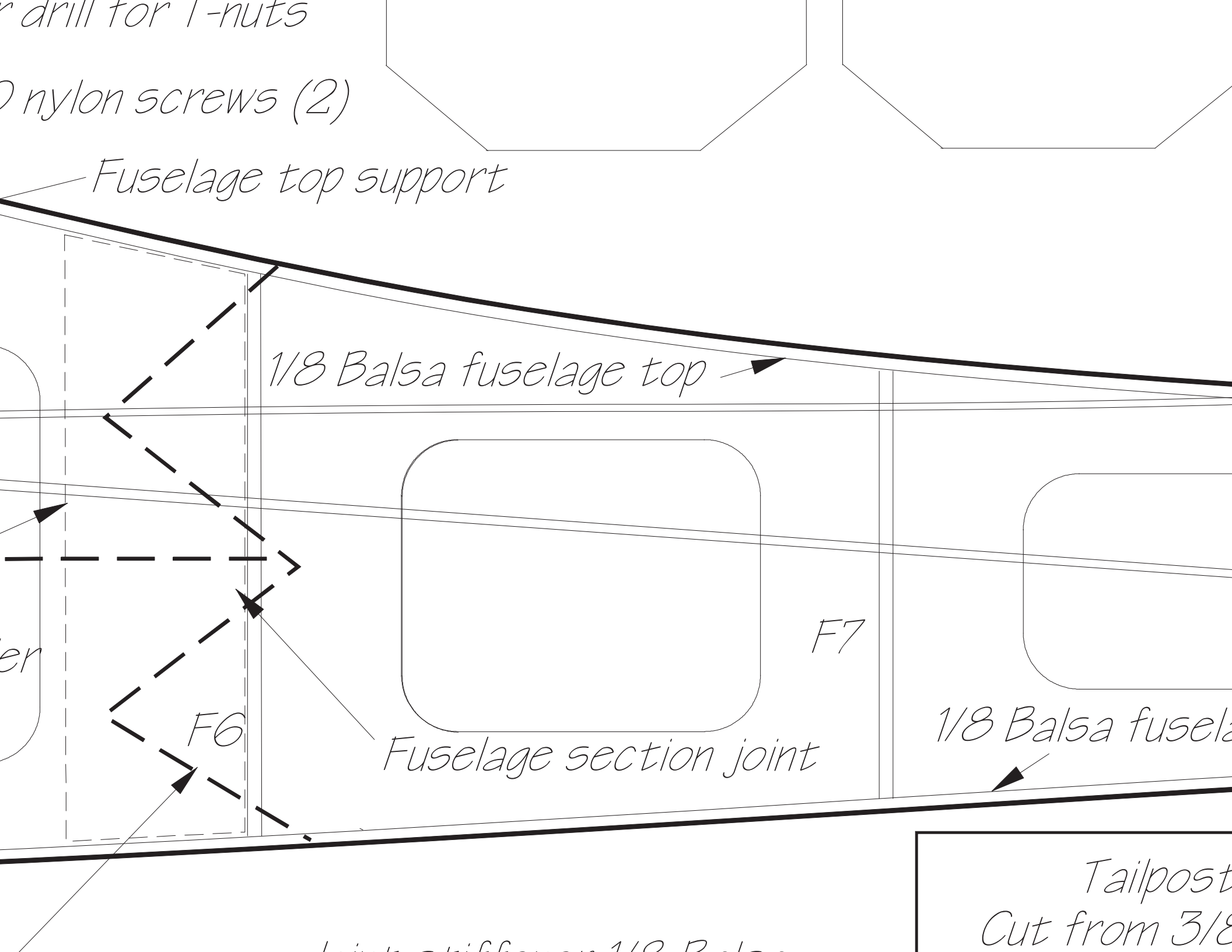
F6

Fuselage section joint

1/8 Balsa fuselage

Tailpost  
Cut from 3/8

Lighter stiffer 1/8 Balsa



Front

Front

Note: Standoff holes are offset

Balsa tailpost  
(See below)

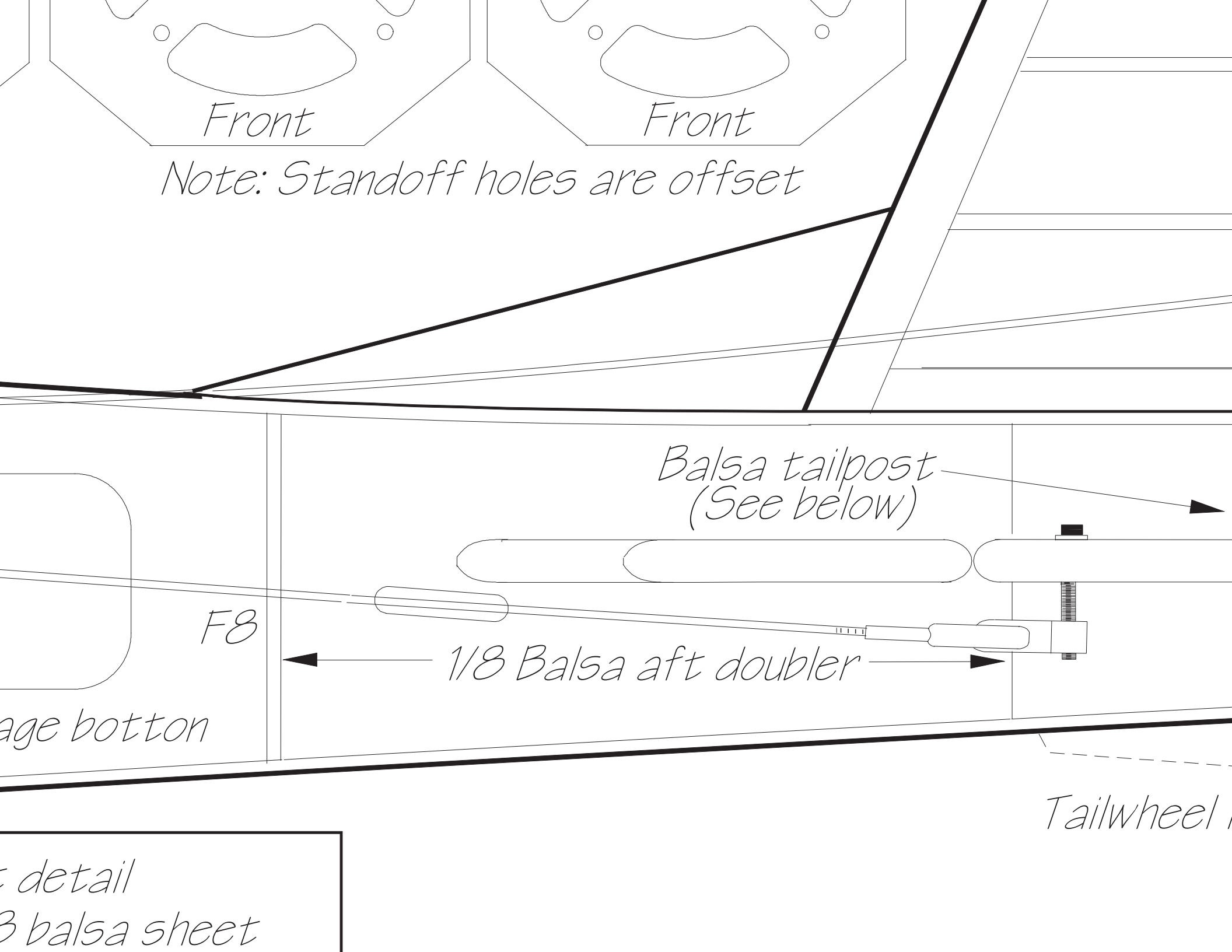
F8

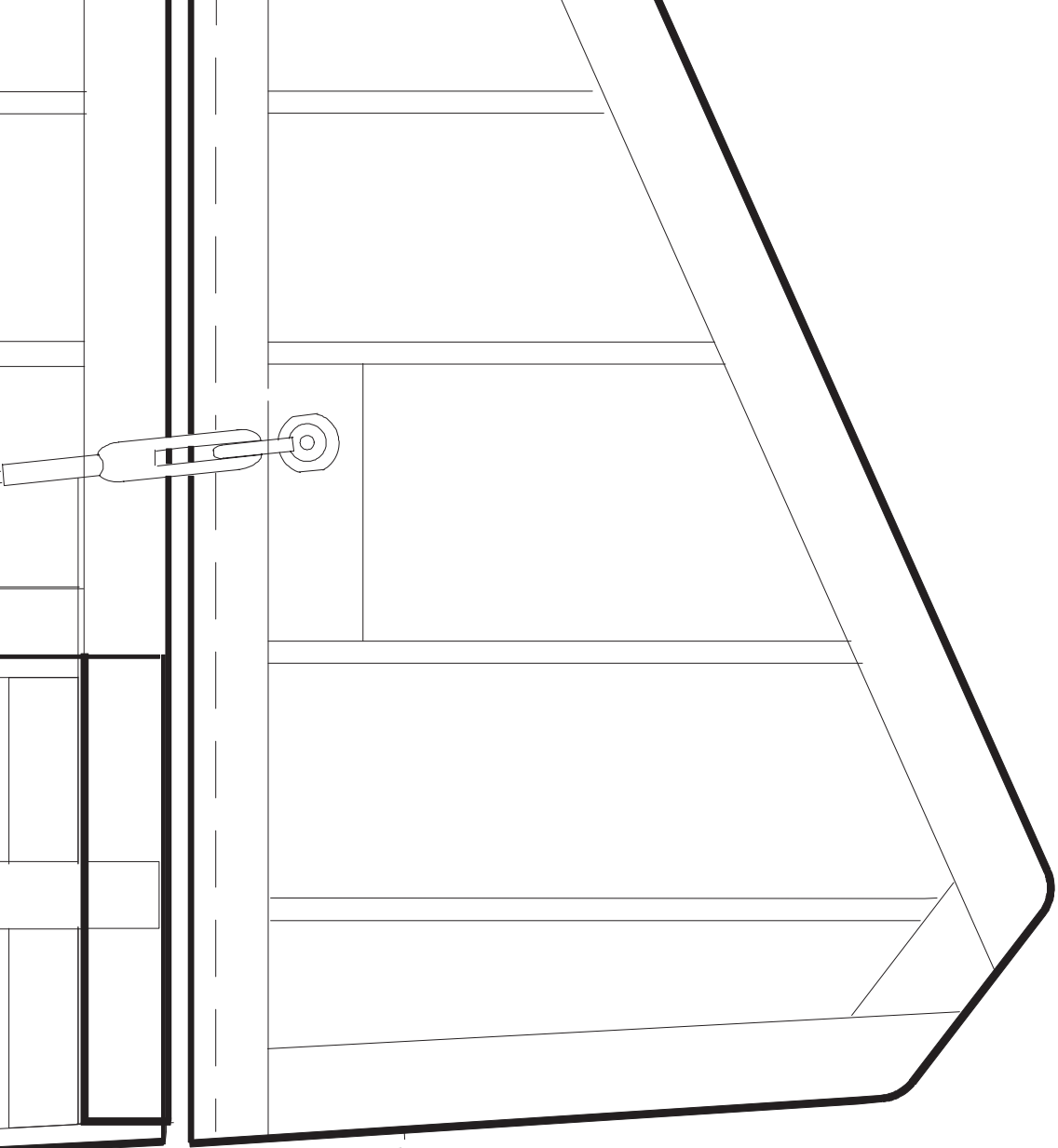
1/8 Balsa aft doubler

age botton

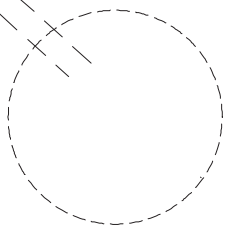
Tailwheel

detail  
3 balsa sheet





loc.

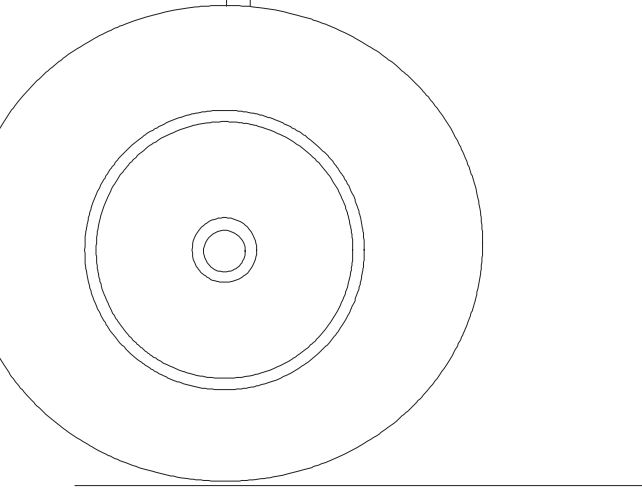




*GLOW VERSION SHOWN*

*Tricycle gear*

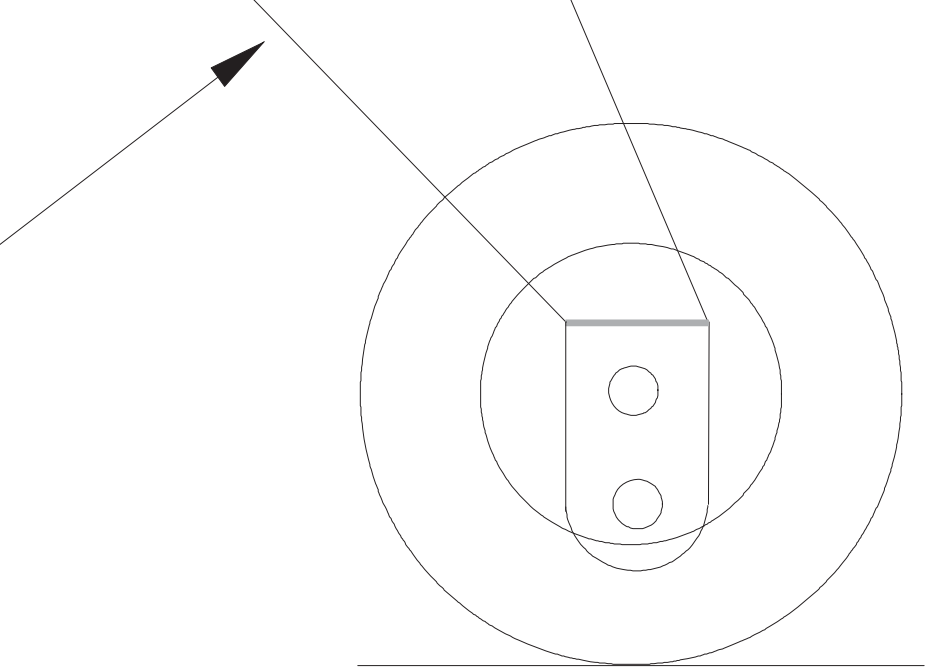
DuBro part # 52  
Universal nose gear



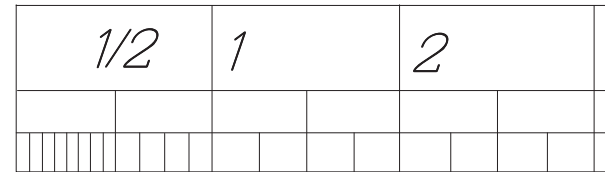
Aluminum landing gear  
Creative Hobbies #3728  
(see text)

r configuration

---



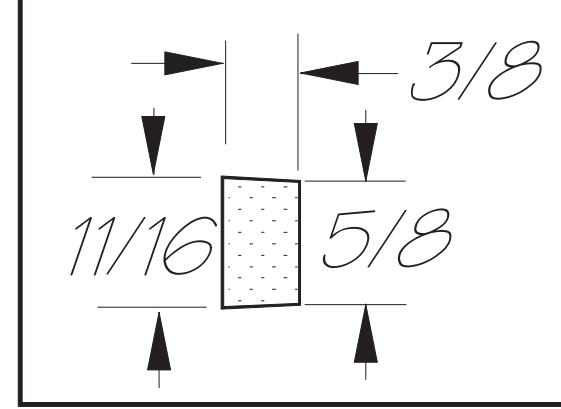
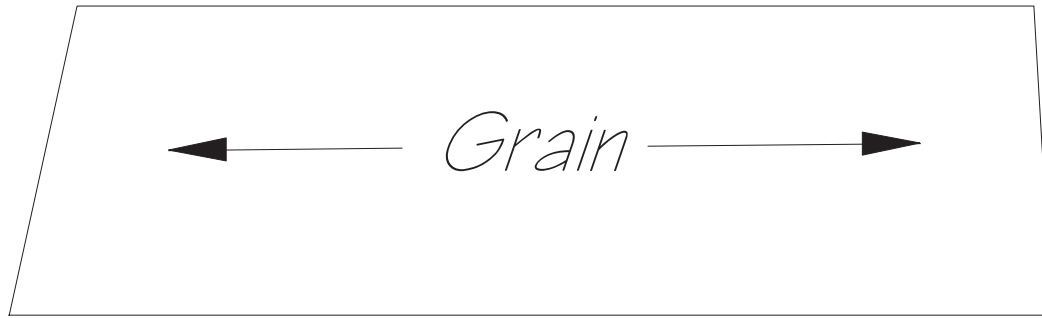
*Because of available balsa stock  
1/8 Balsa sides are made in 3 sec  
bounded by heavy dashed lines*



*All dimensions*

JOINT STIFFENER 1/8 Balsa

sizes  
ations



3	4	5	6	7	8	9	10	11	12

are in inches except when in decimal notation

← 2-1/2 →

← Grain →

The End

Designed and

v 10/19 Plan number

nter Trainer

Drawn by Fred Randall

er

Panel 1 of 3