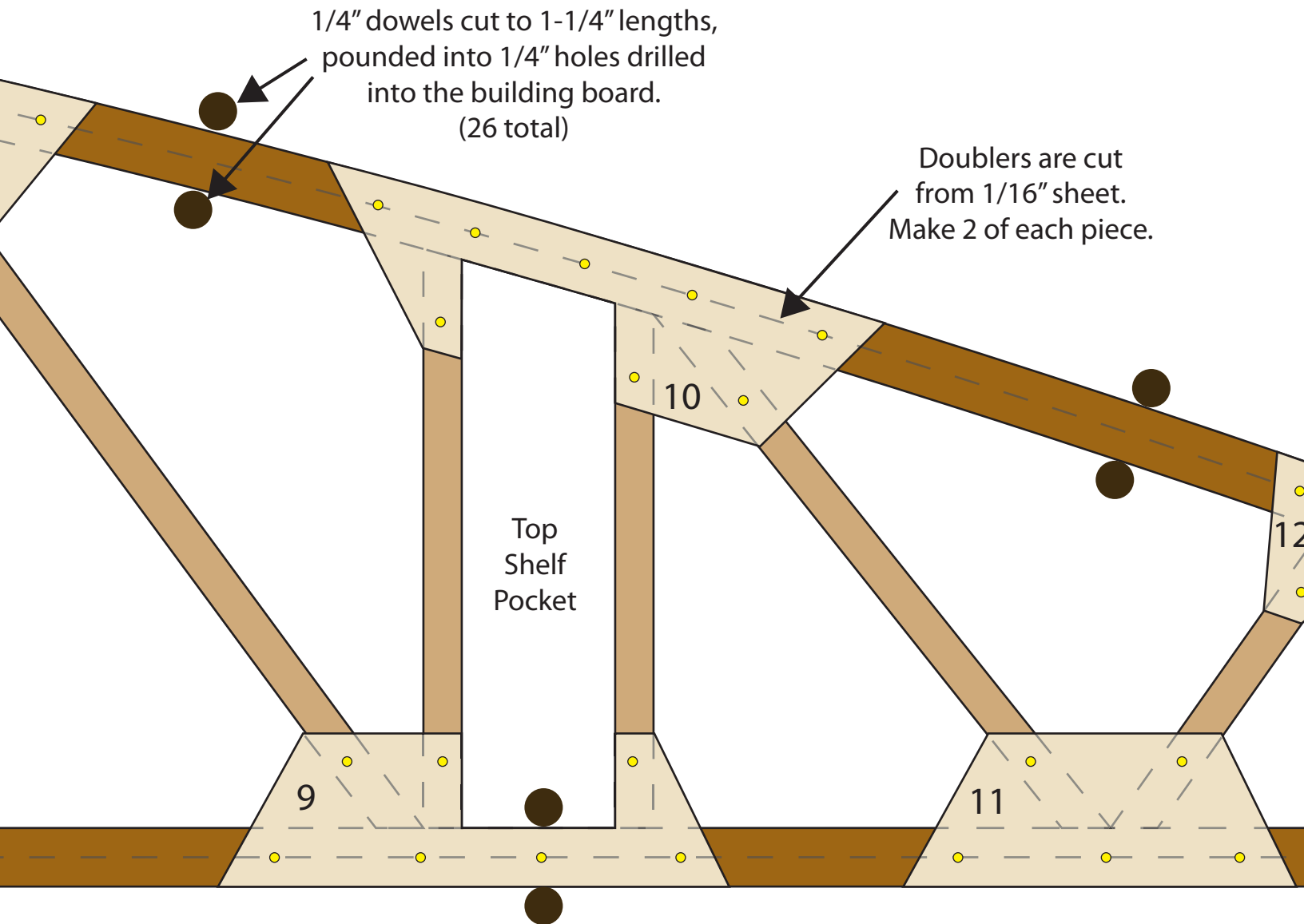
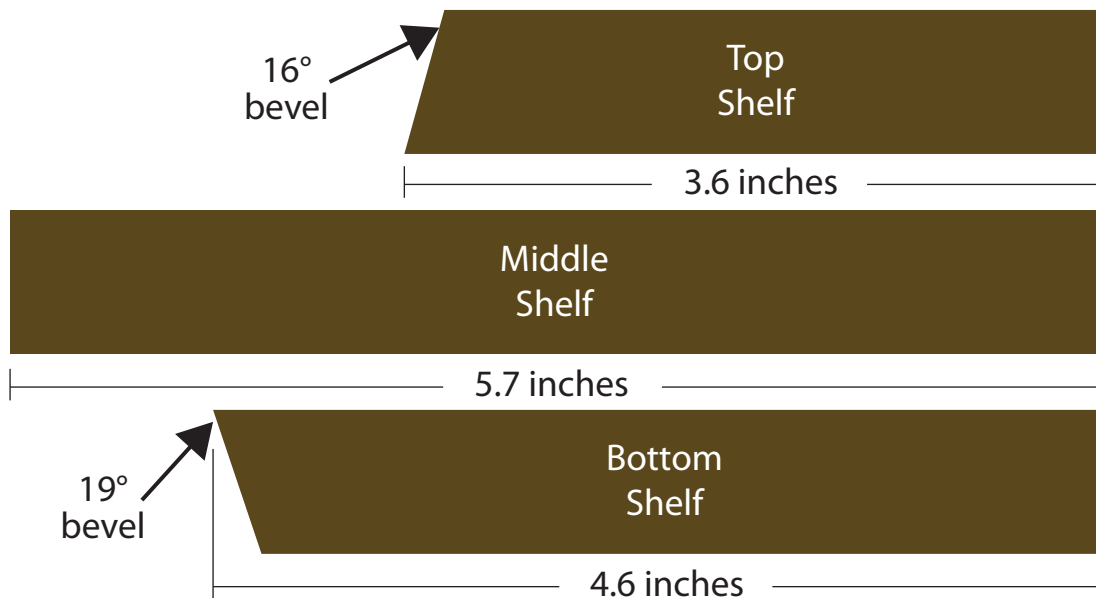


3/16" and 3/8" stick lengths are cut from Poplar, Pine, or similar woods.
1/16" doublers can be cut from similar woods, or from birch plywood.



O-38F Shelf – Wing Rib Plan

Designed & drawn by Mark Lanterman



Shelves are cut from 3/4" x 6" Poplar, Pine, or similar woods. Length is up to your preference.

