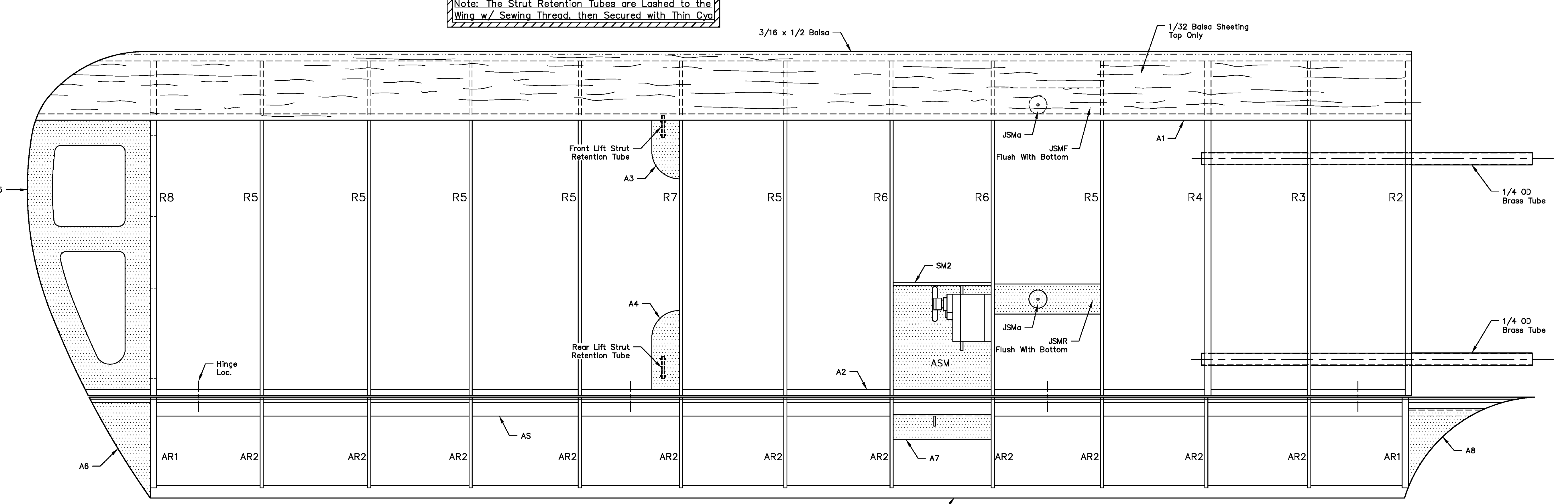
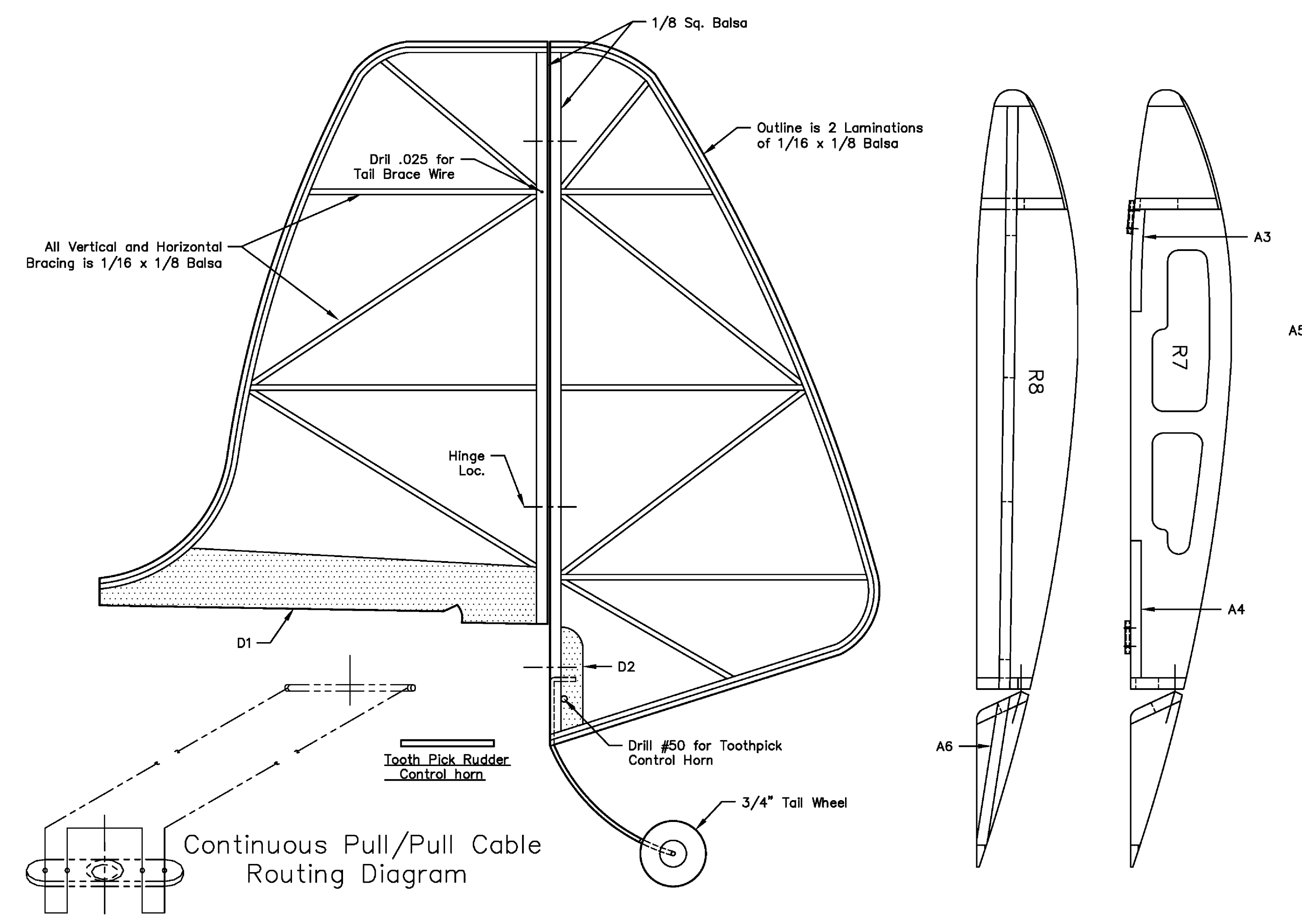


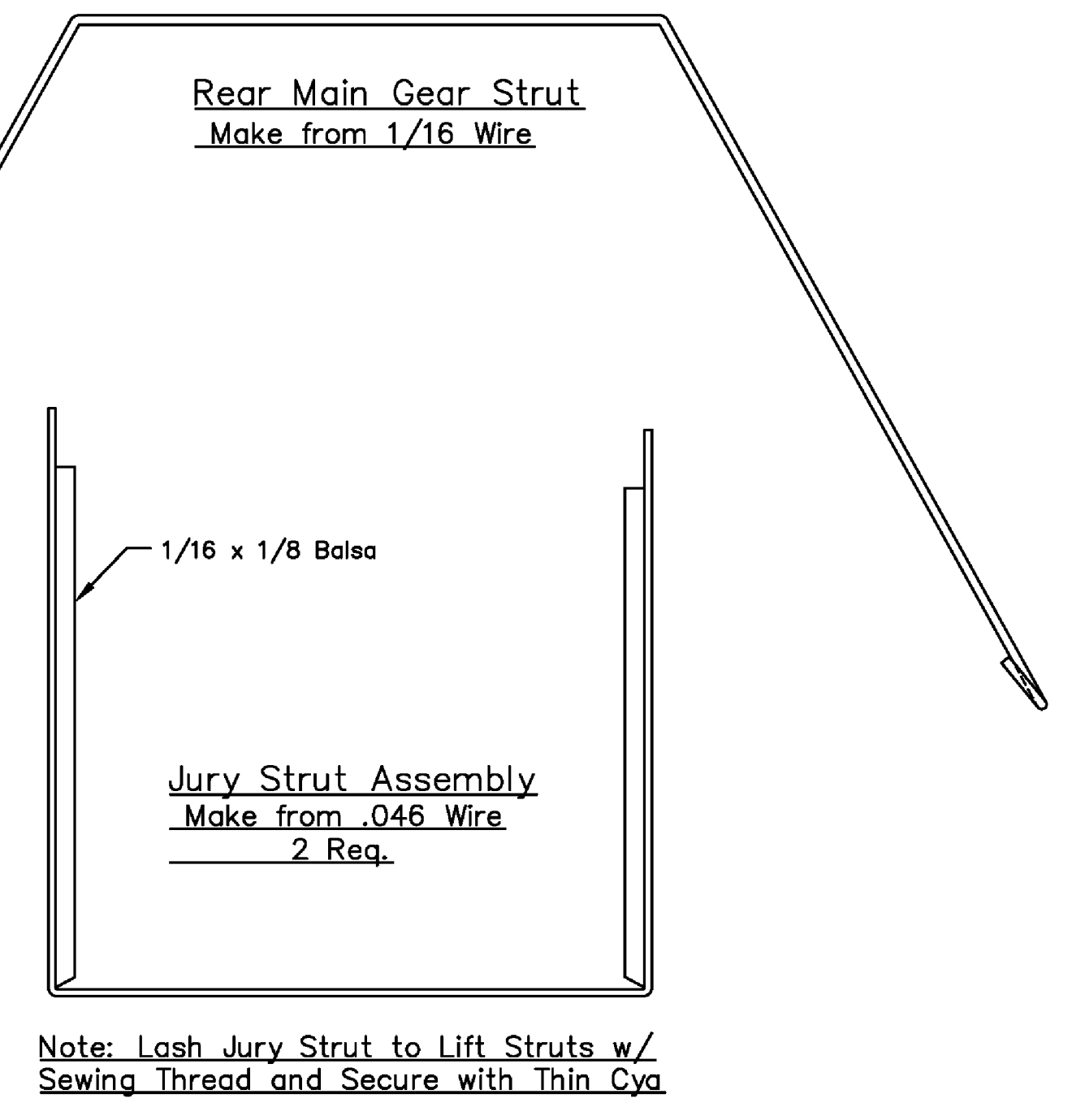
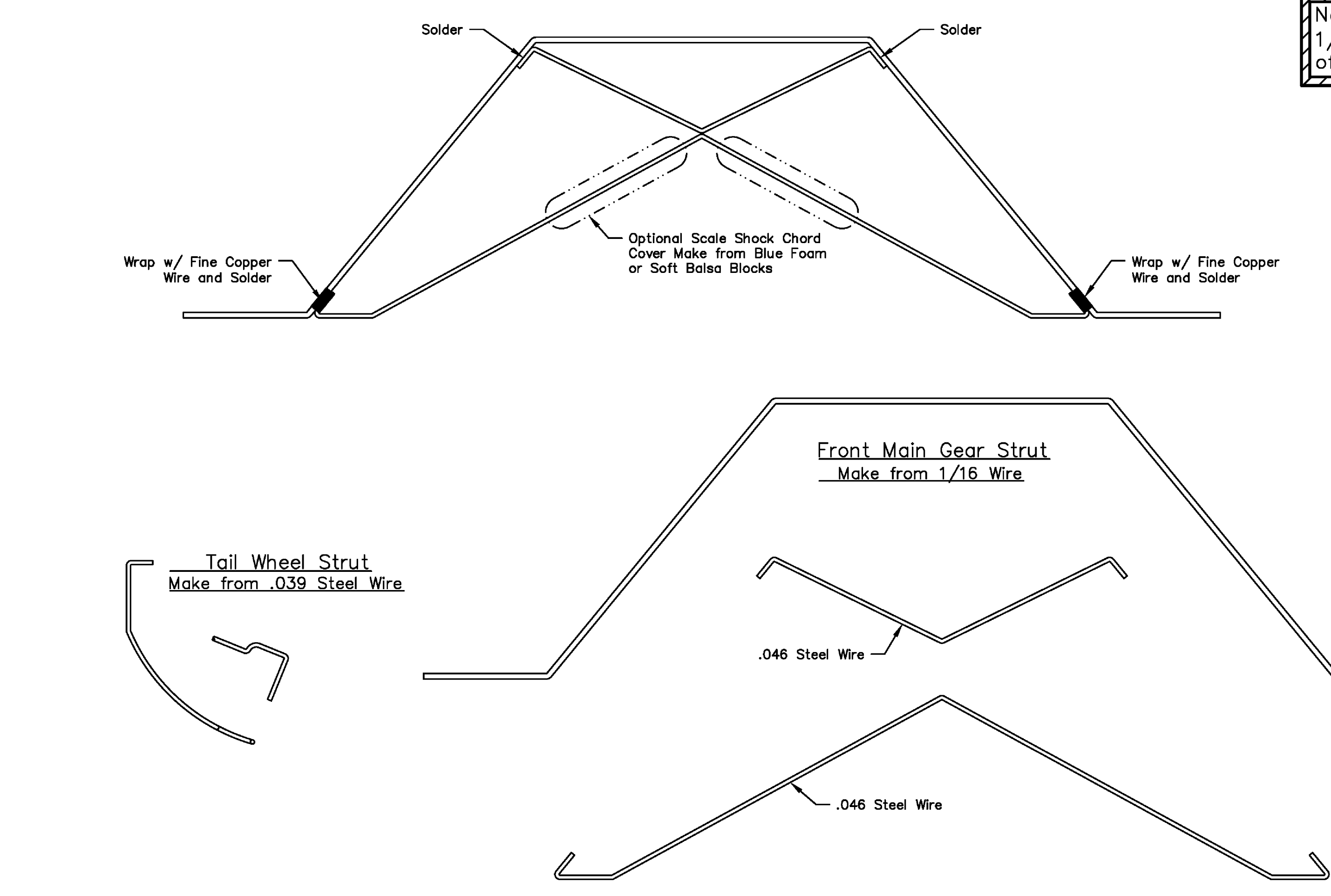
Note: The Strut Retention Tubes are Lashed to the Wing w/ Sewing Thread, then Secured with Thin Cyano



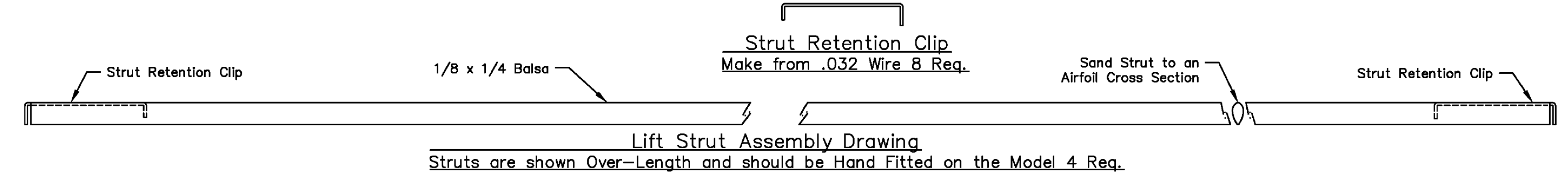
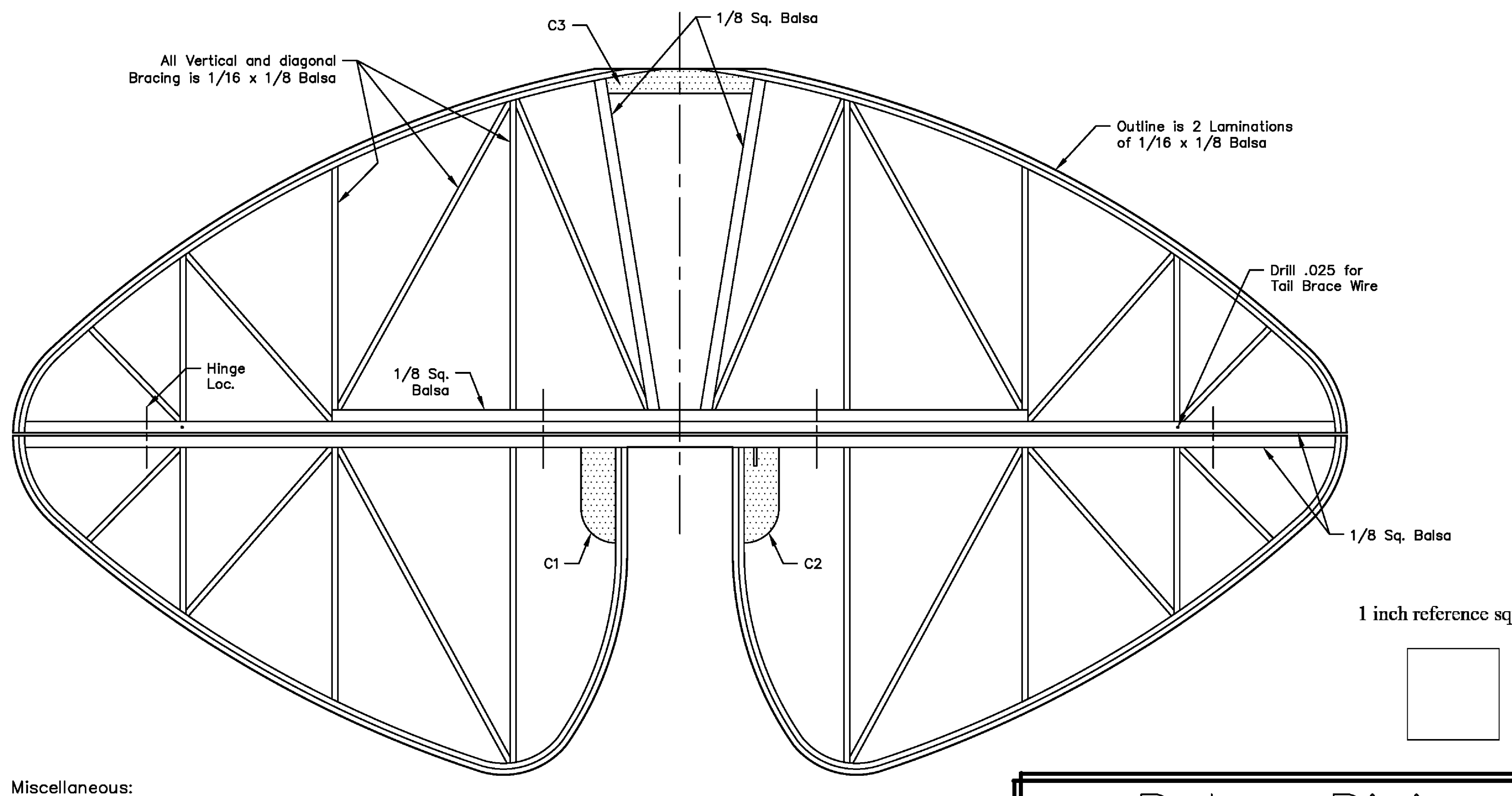
Note: Adjust Lift Struts for 1/4" of Dihedral and 1 Degree of Washout at Each Tip

Note: Mounting the Wing Center Section: First, cover the Center Section on the Bottom Only, and Run in the Aileron Servo Y-Lead. Then Plug in the Wing Panels and Fit the Wing Assembly onto the Cabane Struts using the Alignment Jig to set up the incidence and pin it in place. Align the Wing and Glue the Struts in Place using 15 Minute Epoxy. When Fully Cured, Remove the Alignment Jig and Wing Panels and Cover the Top of the Center Section.

Control Throws:
 Ailerons: 1/2" Up & Down w/ 70% Dual Rate
 Elevator: 3/4" Up 5/8" Down w/ 70% Dual Rate
 Rudder: 1 1/2" Each Way



- Materials List:**
- Wood:**
 3- 1/16 x 4 x 36 Balsa (If Short Kit is Not Used)
 3- 1/8 x 4 x 36 Balsa (If Short Kit is Not Used)
 1- 1/8 x 3 x 3 Lite Ply (If Short Kit is Not Used)
 1- 1/32 x 2 x 3 Plywood (If Short Kit is Not Used)
 15- 1/16 x 1/8 x 36 Balsa
 2- 3/32 x 1/4 x 36 Balsa
 8- 1/8 Sq. x 36 Balsa
 3- 1/8 x 1/4 x 36 Balsa
 2- 3/16 x 1/2 x 36 Balsa
 1- 3/16 x 1/2 x 4 Basswood
- Metal:**
 1- .025 x 36 Steel wire
 1- .032 x 24 Steel Wire
 1- .039 x 12 Steel Wire
 2- .046 x 36 Steel wire
 3- .062 x 36 Steel Wire
 1- 1/4 O. D. x 36 Brass Tube
 1- 9/32 O. D. x 12 Aluminum Tube
 1- .062 O. D. x 12 Aluminum tube
 1- .015 x 1/4 x 12 Brass Strap



- Power and Guidance:**
 1- Suppo 2217/9 Outrunner Motor
 1- 20A ESC
 1- ASP 11-5.5E Propeller
 1- 2000 mah 2S Lipoly Battery
 2- Suppo SP60 Servos
 2- Suppo SP90 Servos
 2- 6" Servo Extensions
 1- 11" Y-Lead

- Miscellaneous:**
 1 Pr- 2 1/2-inch Main Wheels
 1- 3/4-inch Tail Wheel
 4- 1/16 Wheel Collars
 2- Manila File folders
 2 Rolls- Microlite or Equivalent
 Great Planes GPMQ3960 Sheet
 6 ft.- Heavy Duty Nylon Carpet Thread
 1-.008 x 3 x 5 Acetate
 1- 1/32 I. D. x 18 Plastic Tube

Copyright 2018 AMA and ModelAviation
 Copying for resale of this drawing without the written approval or consent of AMA is expressly prohibited.

Pober Pixie

Wing Span: 60 in.	Wing Area: 533 Sq. In.
Length: 35.5 in.	Flying Weight: 23 Oz.

Des. by: Pat Trittle for Model Aviation Magazine for Electric Power and 4 Channel R/C
 6-27-2018 Plan No. 1108 Sheet 2 of 3