

1 inch reference square

---

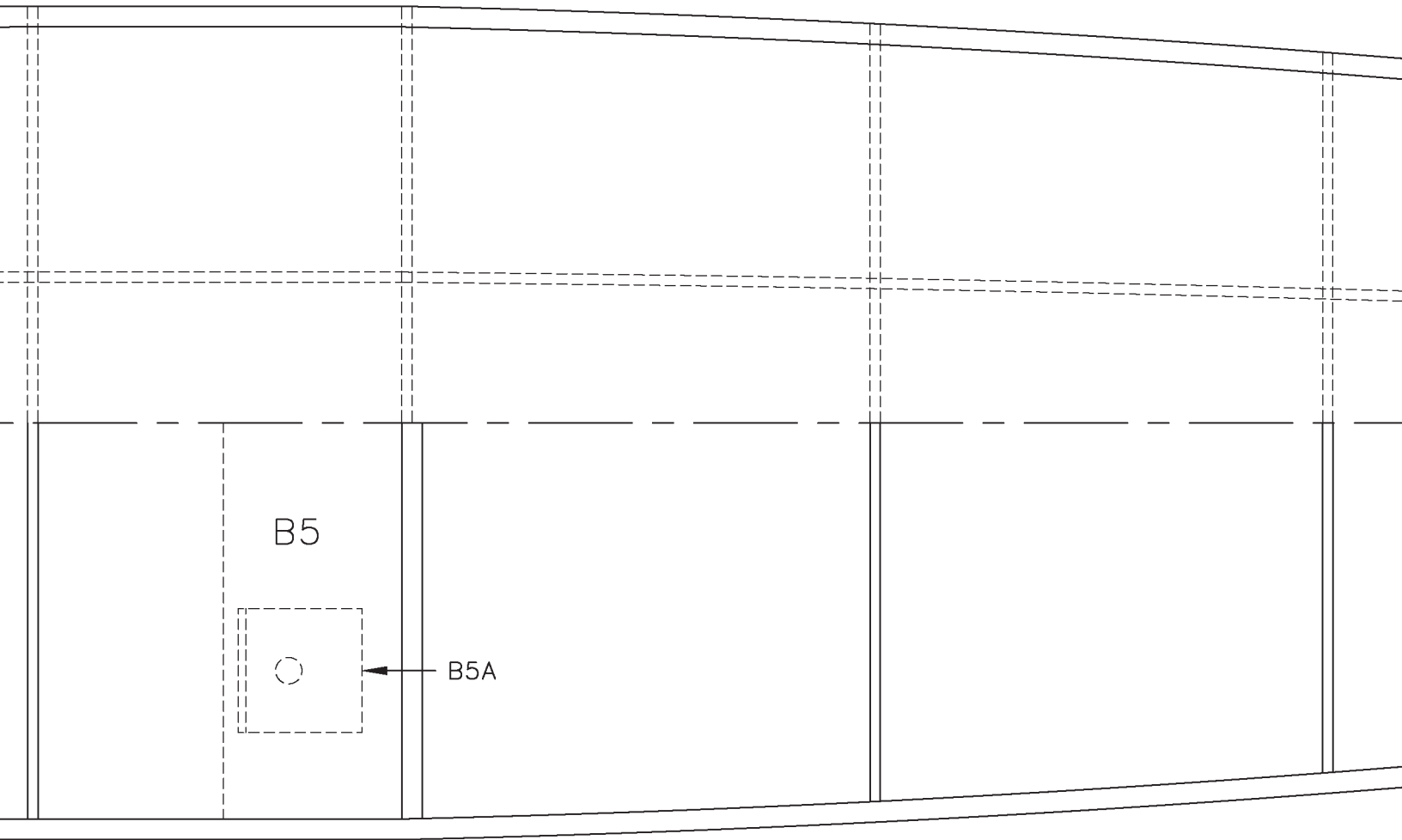
---


← B6

2

3

4



B5

B5A

5

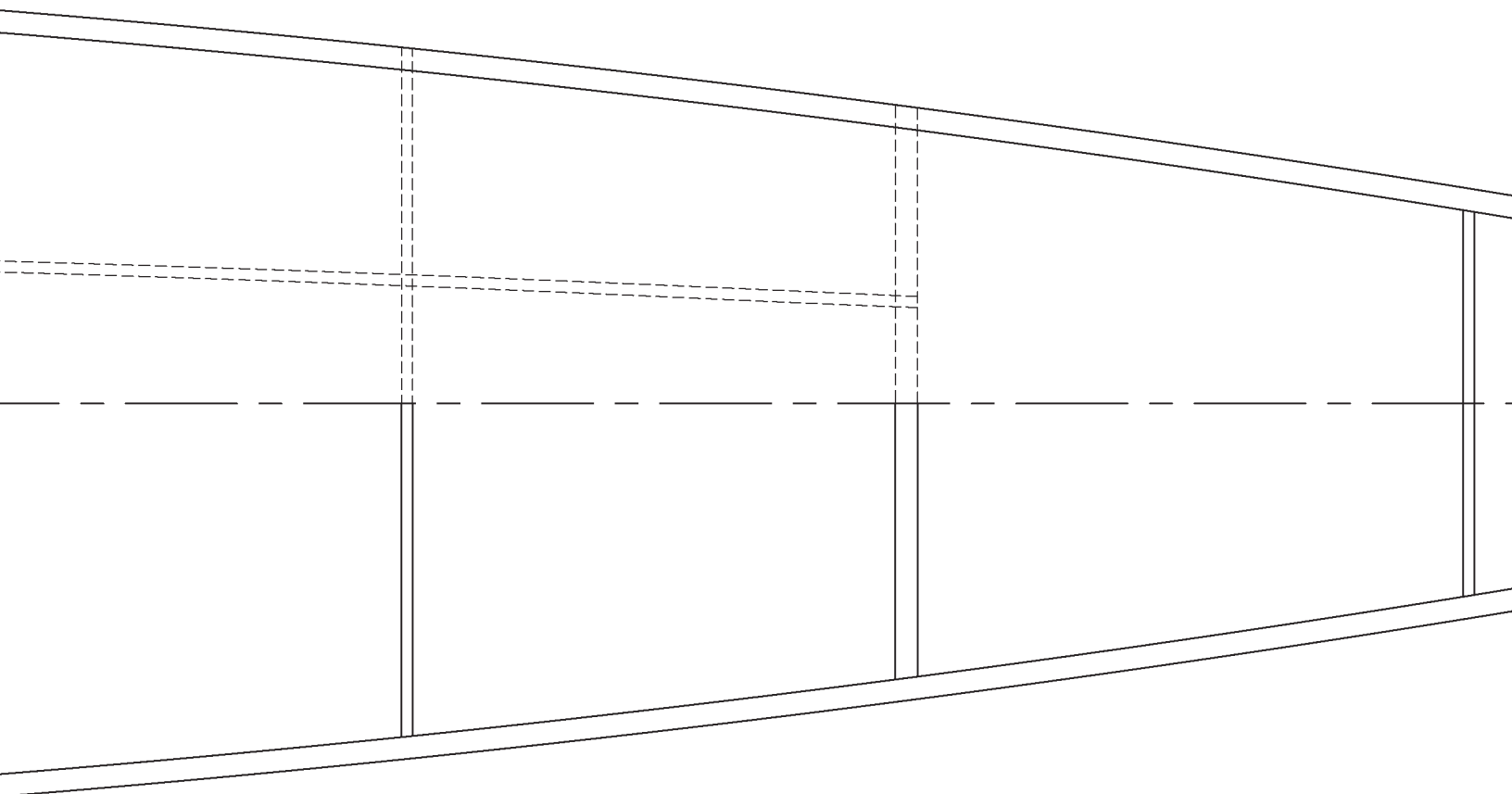
6

7

8

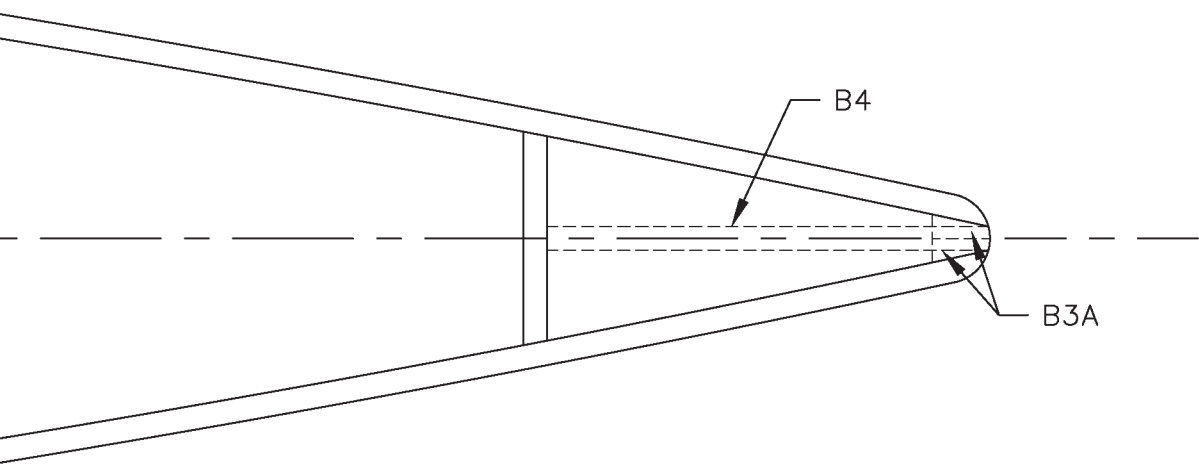
\_\_\_\_\_

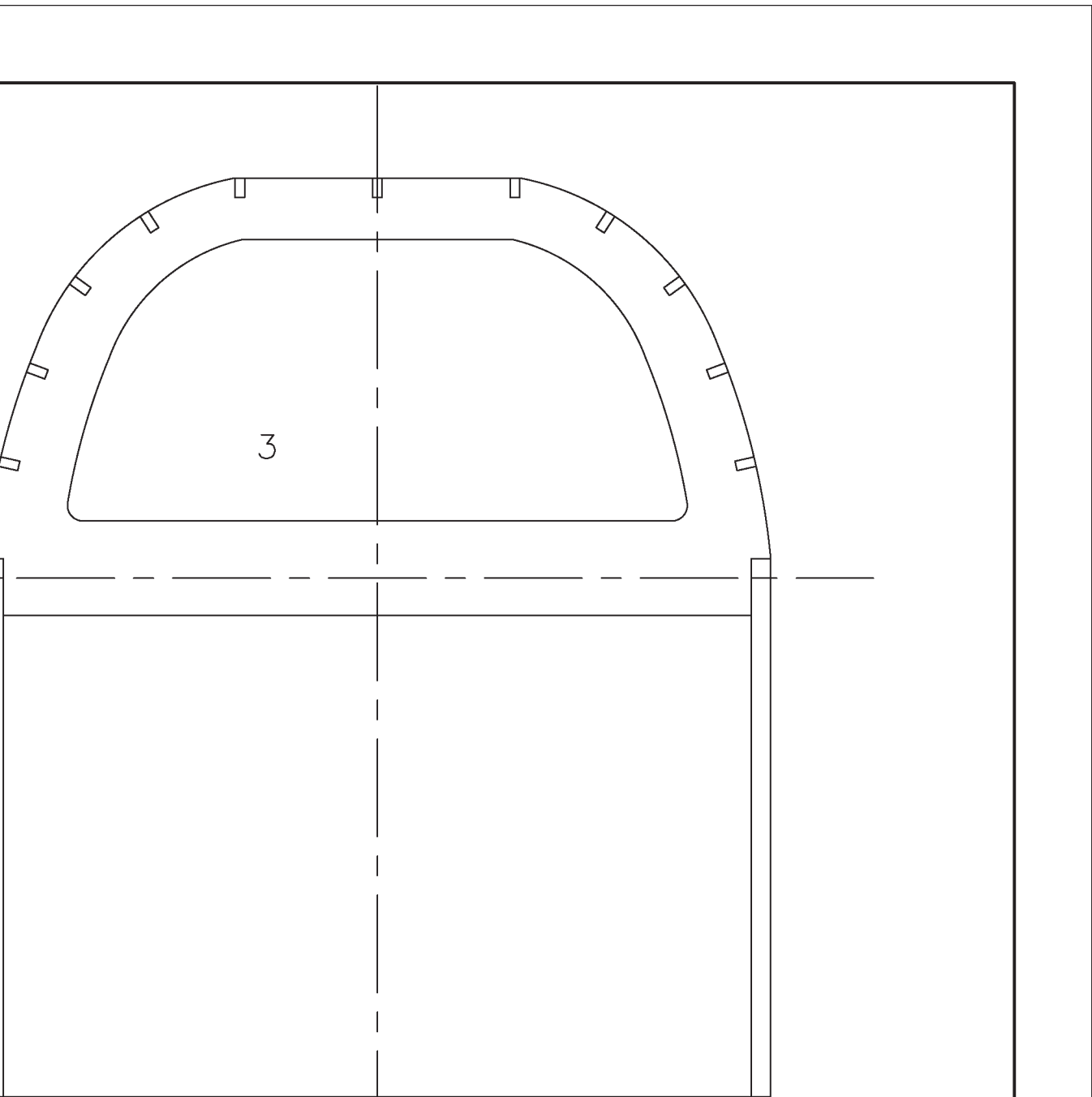
\_\_\_\_\_

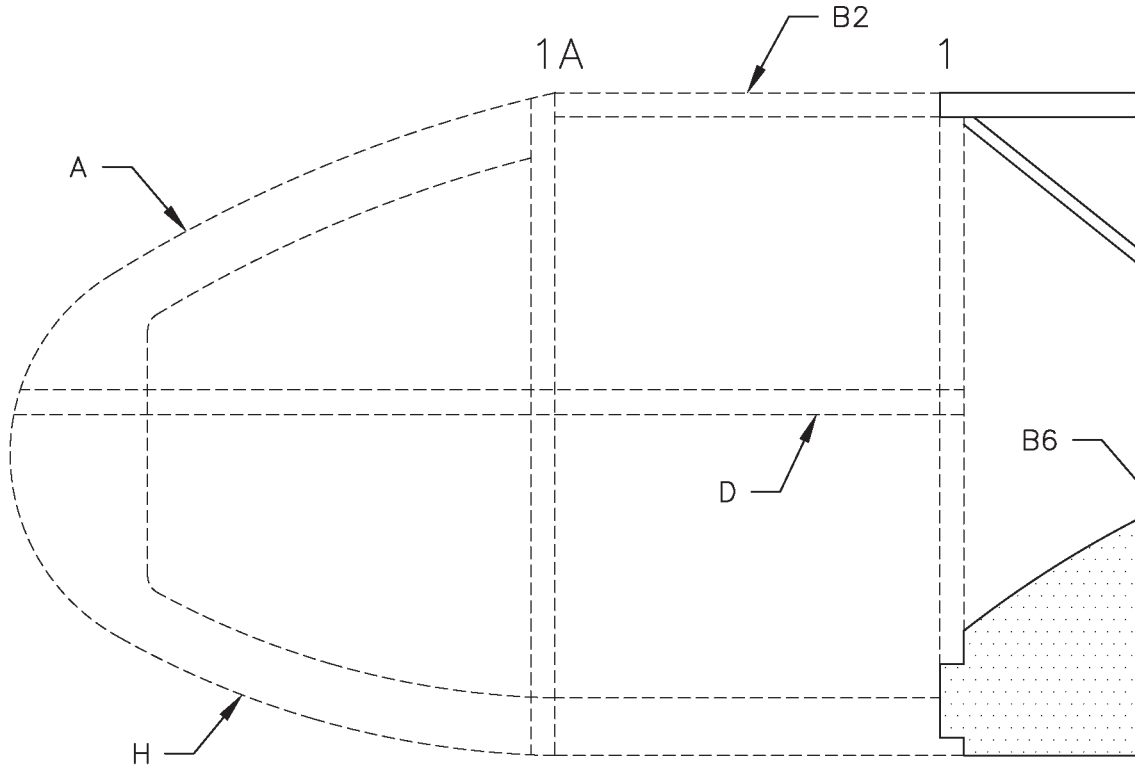
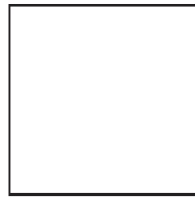


0

10





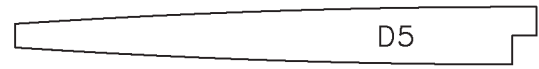
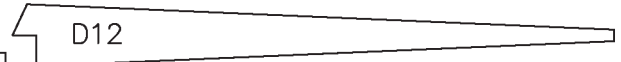
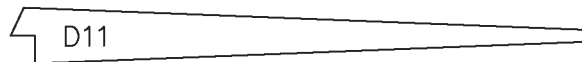
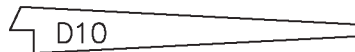
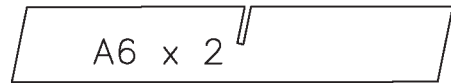
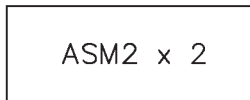
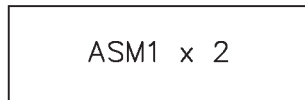


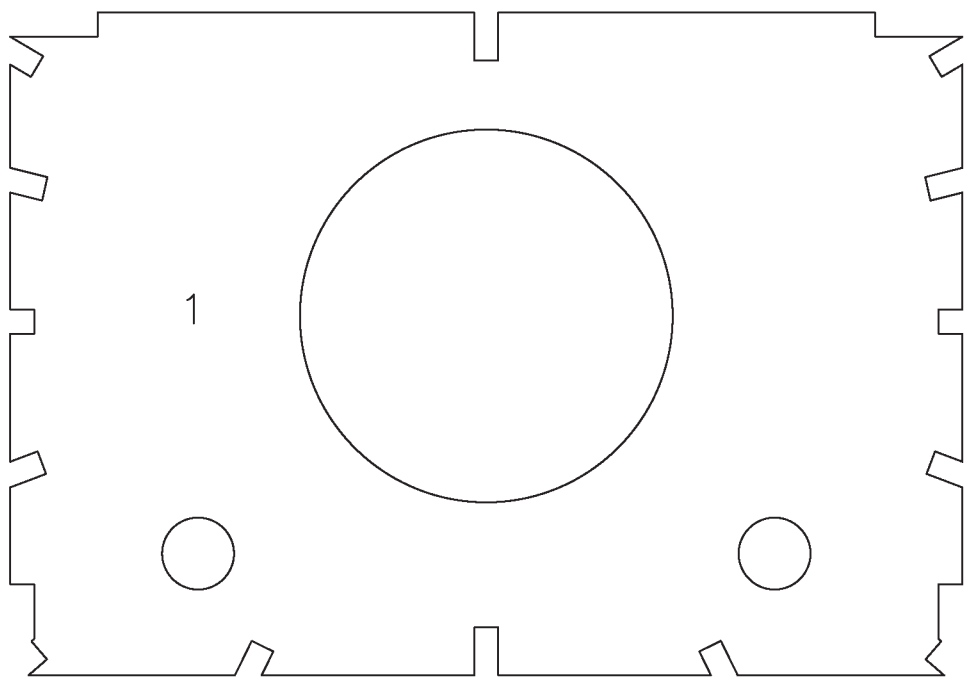
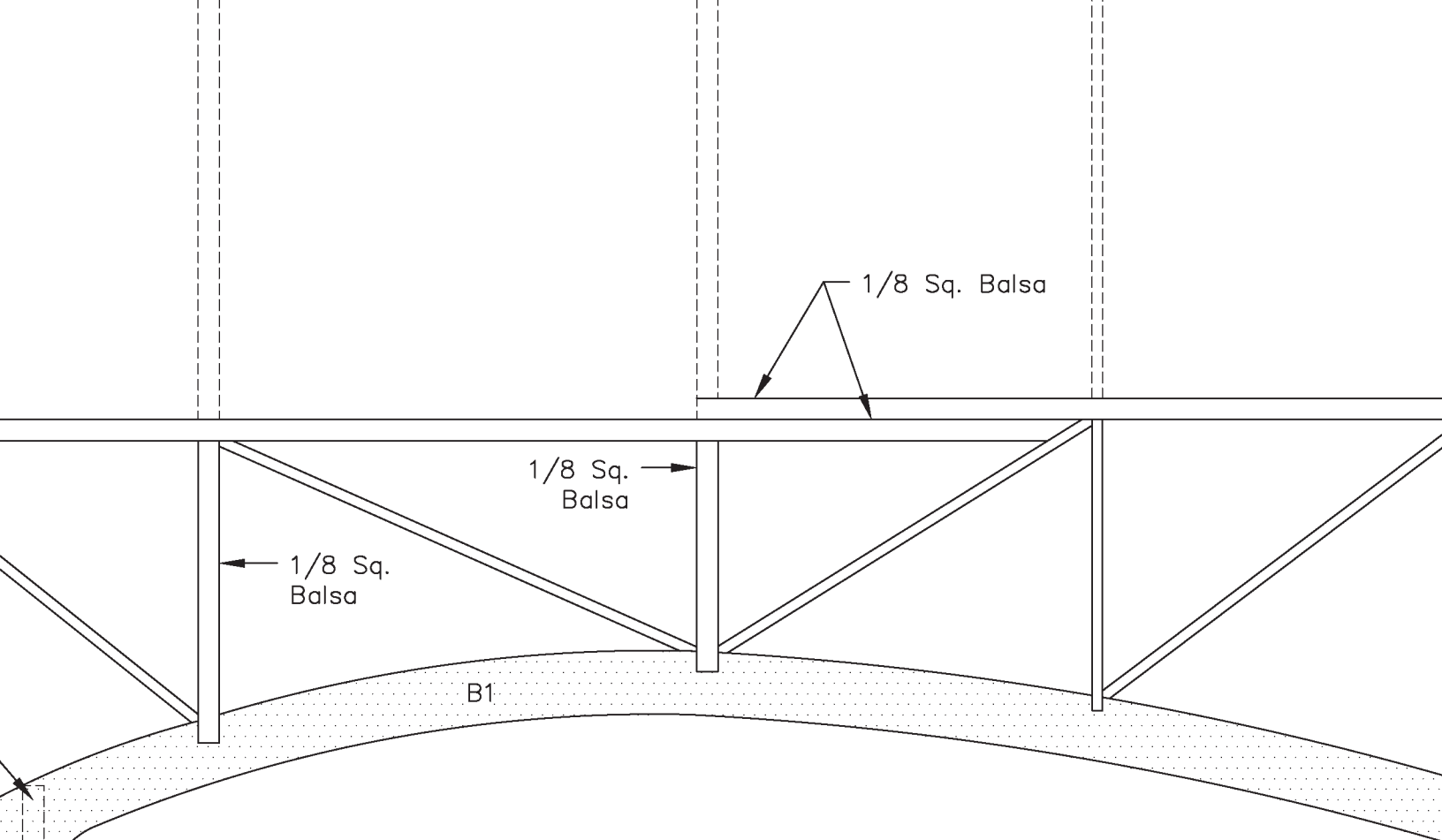
Copyright 2021



and **ModelAviation**  
Bringing Modelers Together

Copying for resale of this drawing without  
the written approval or consent of AMA  
is expressly prohibited.

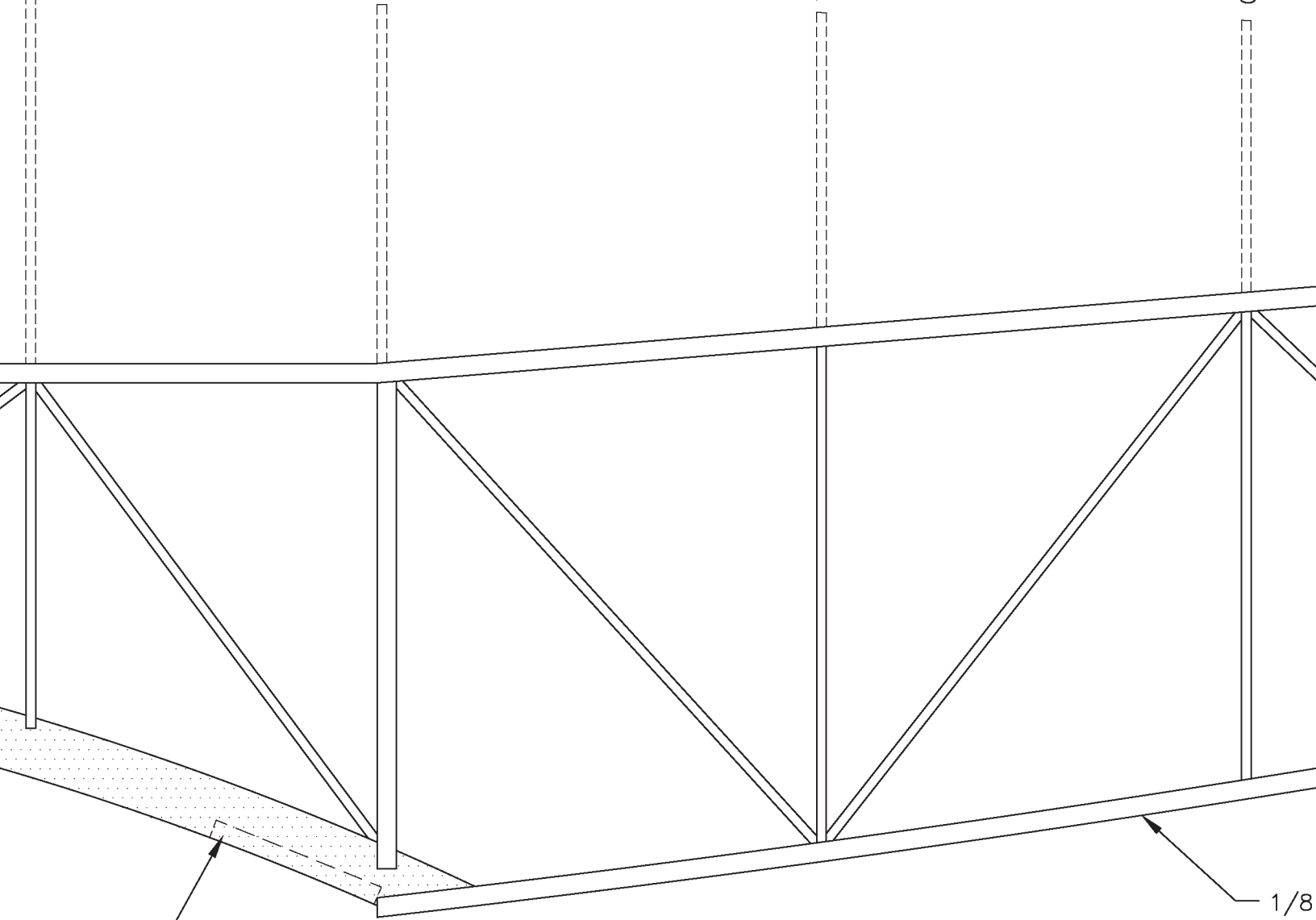




WST x 2

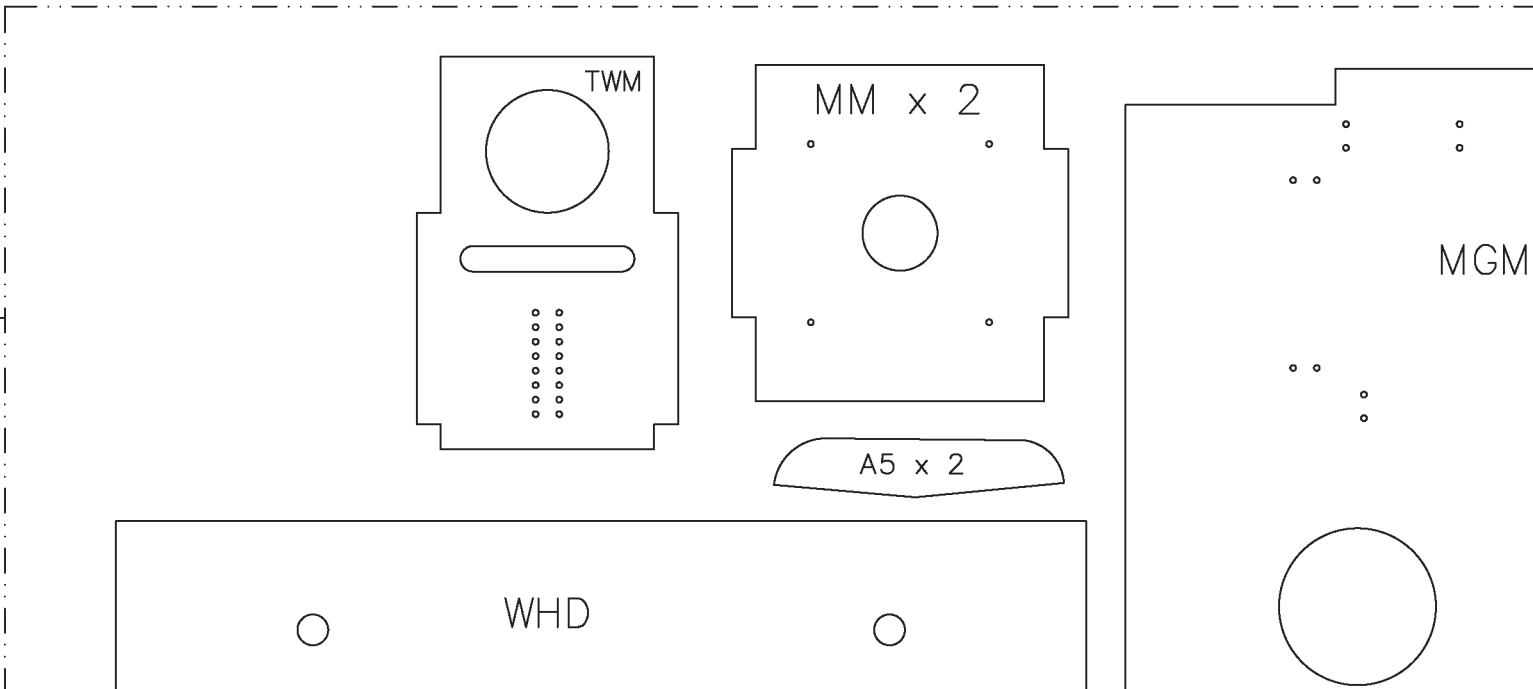
WCP x 2





B5

1/8



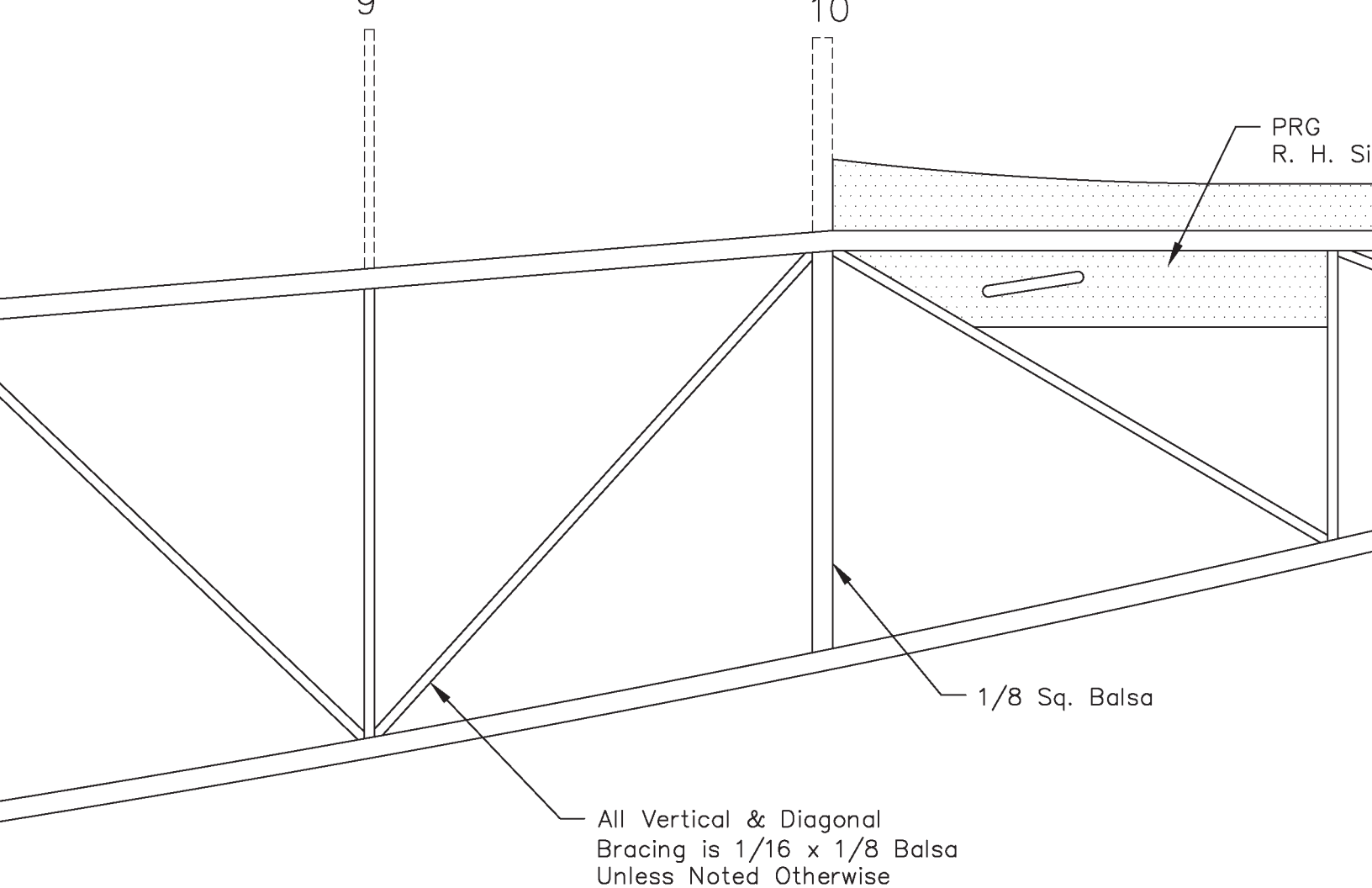
TWM

MM x 2

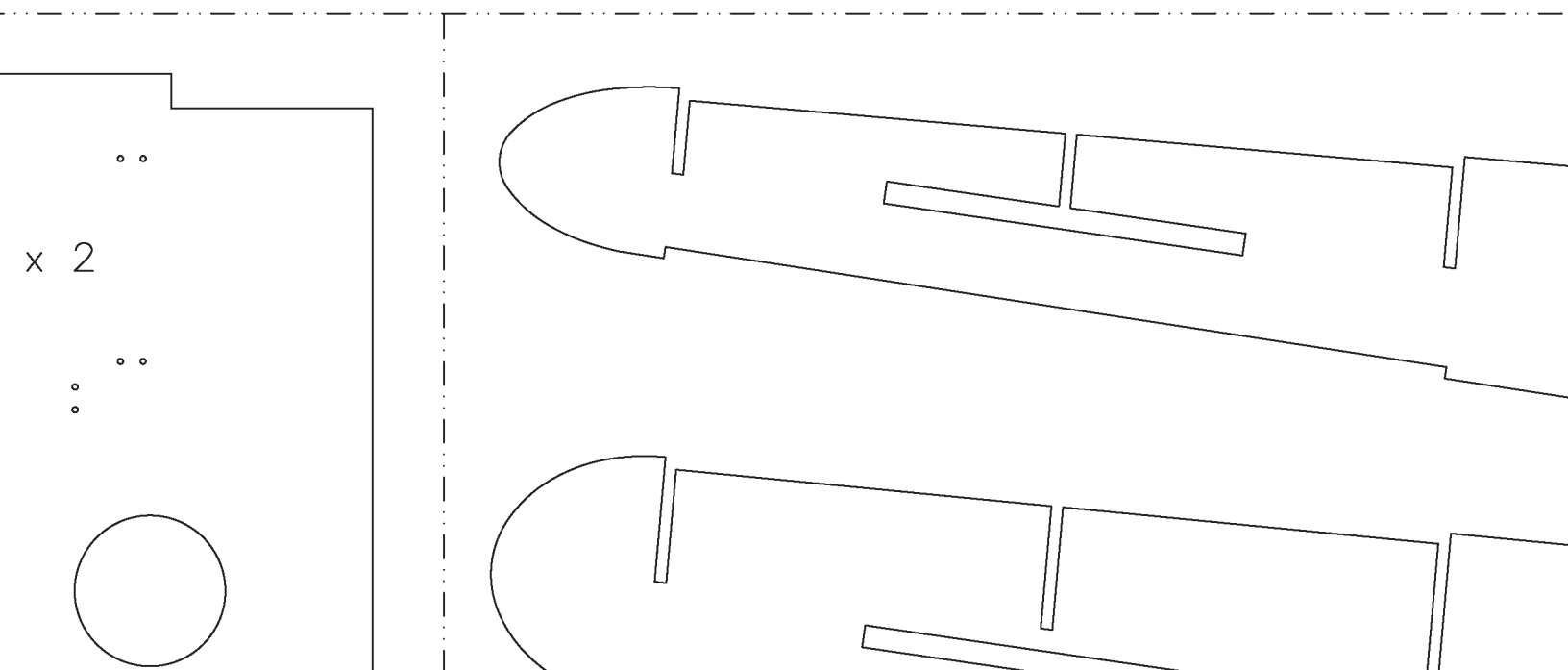
A5 x 2

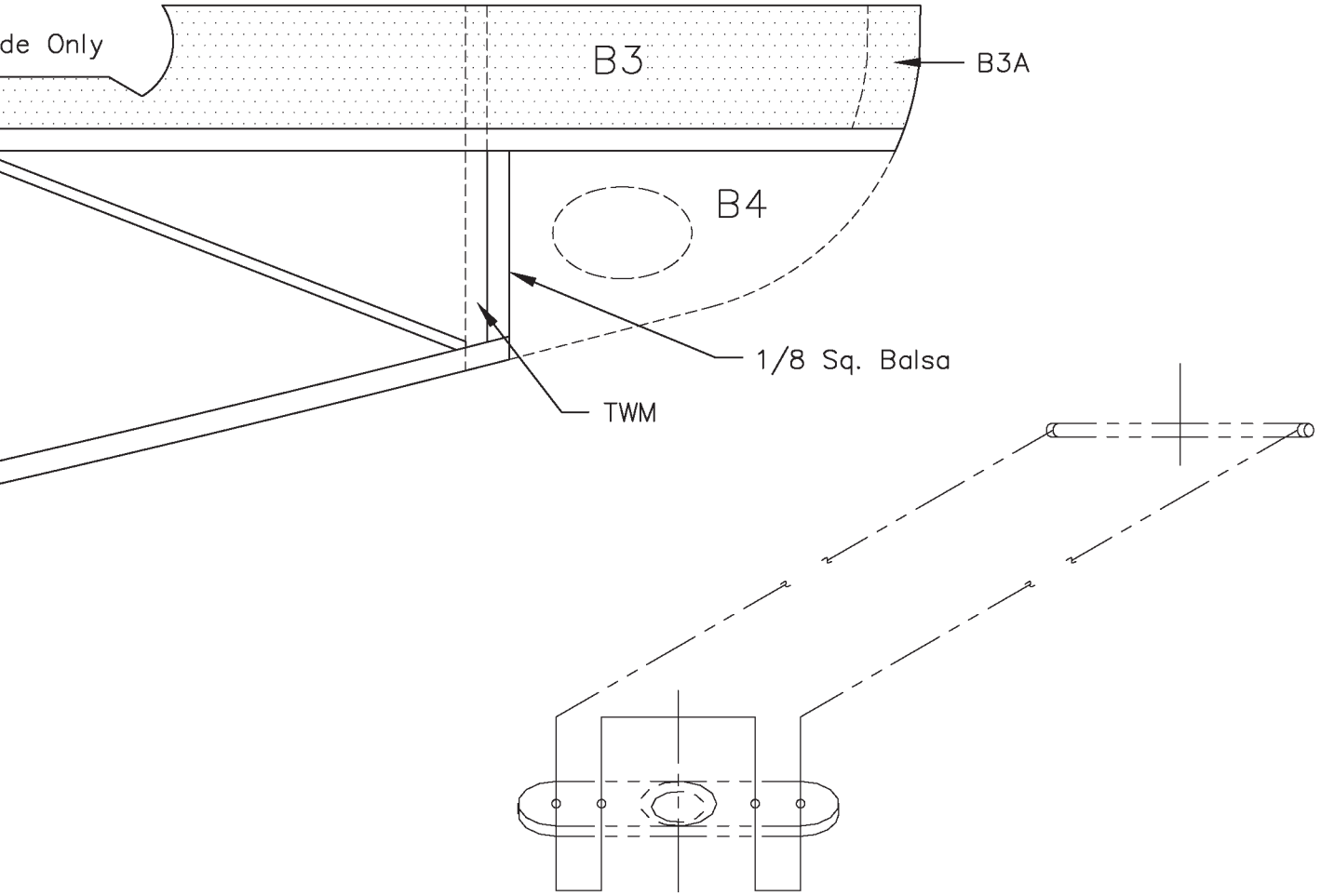
WHD

MGM



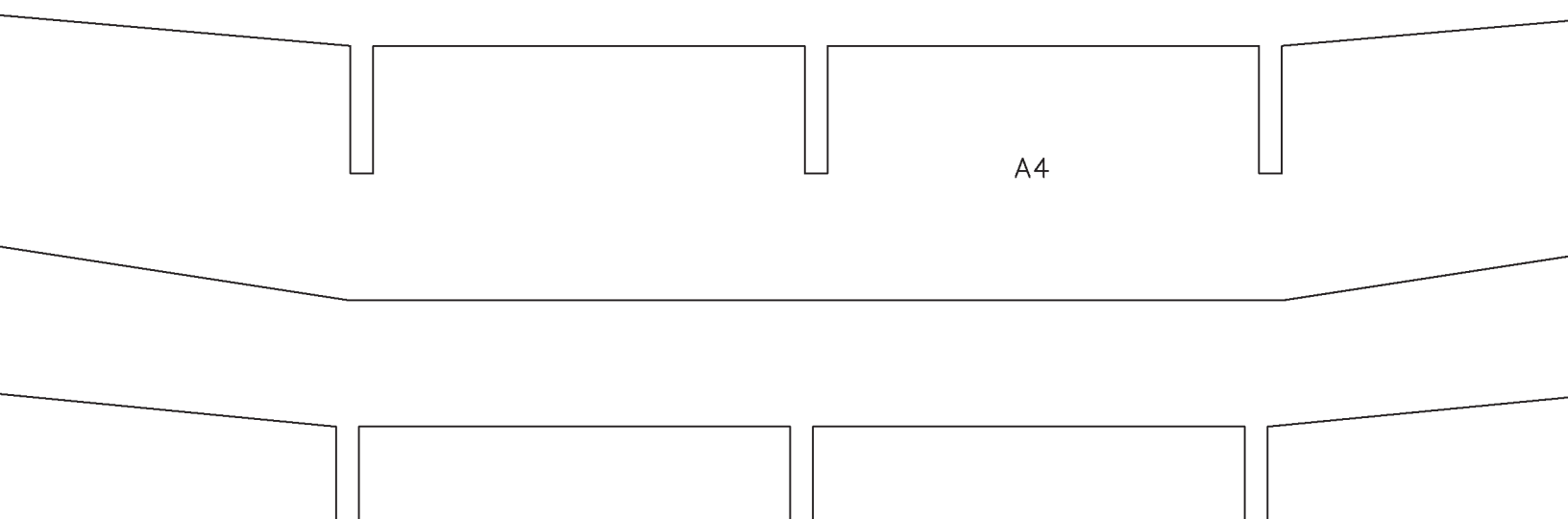
Sq. Balsa

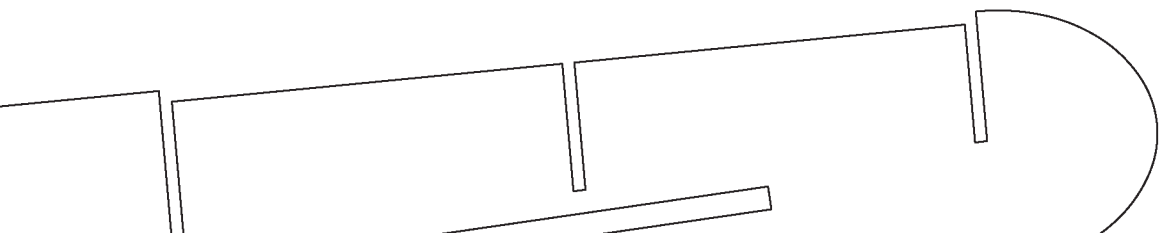
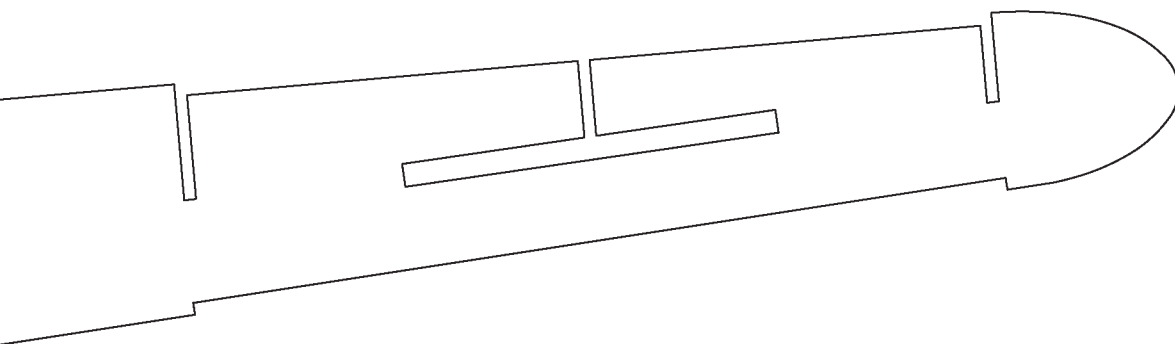
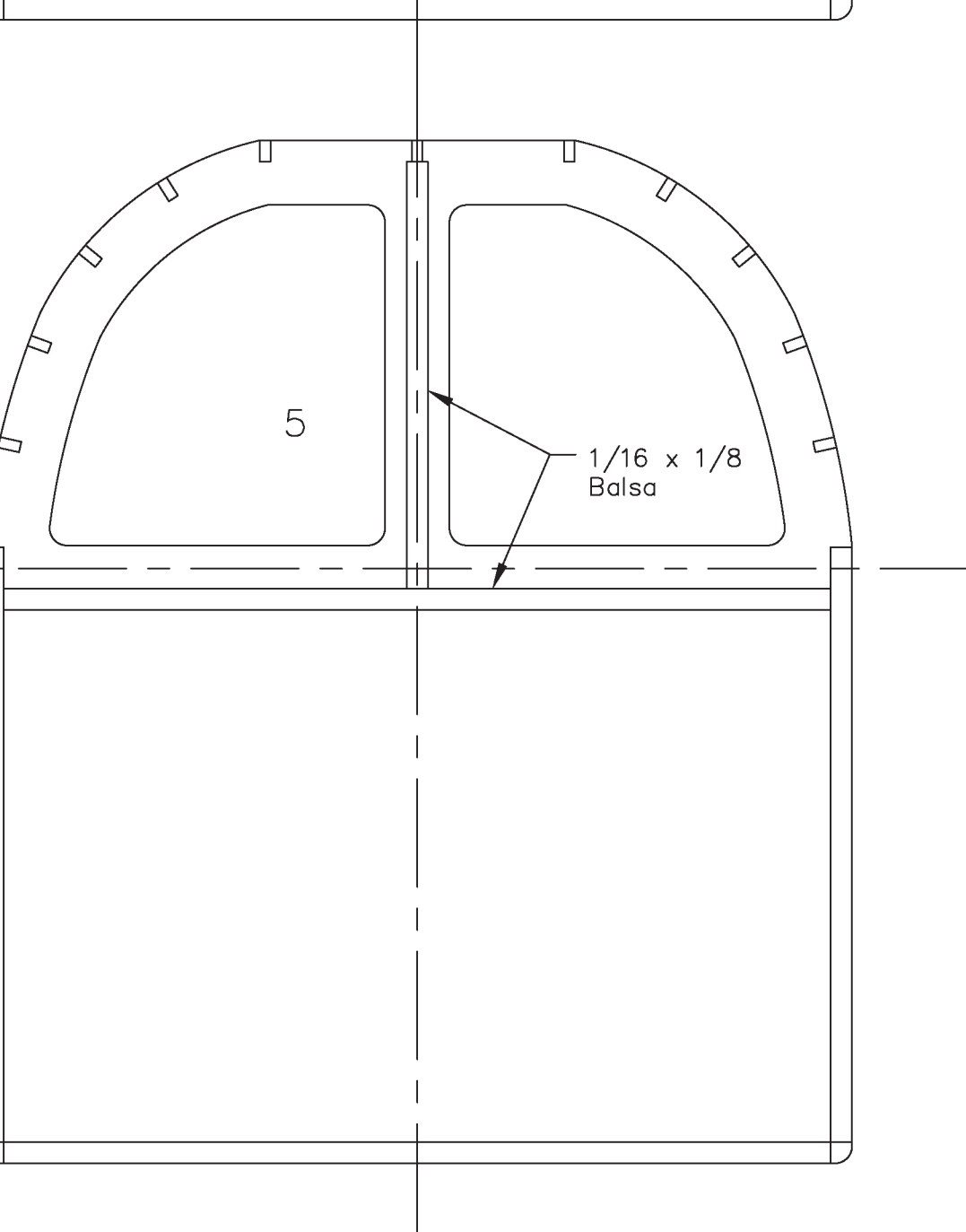


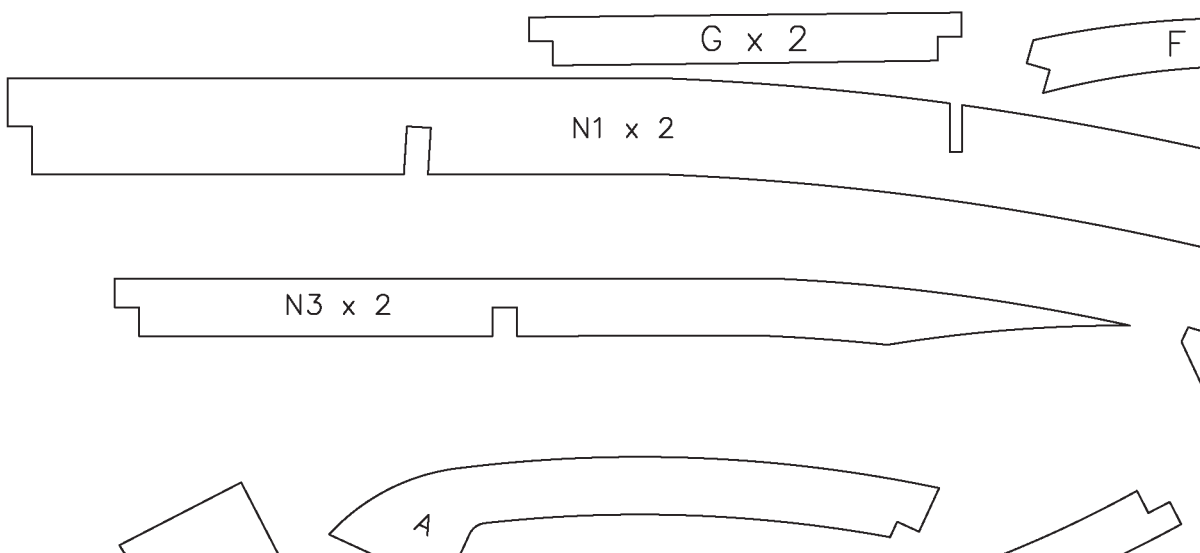
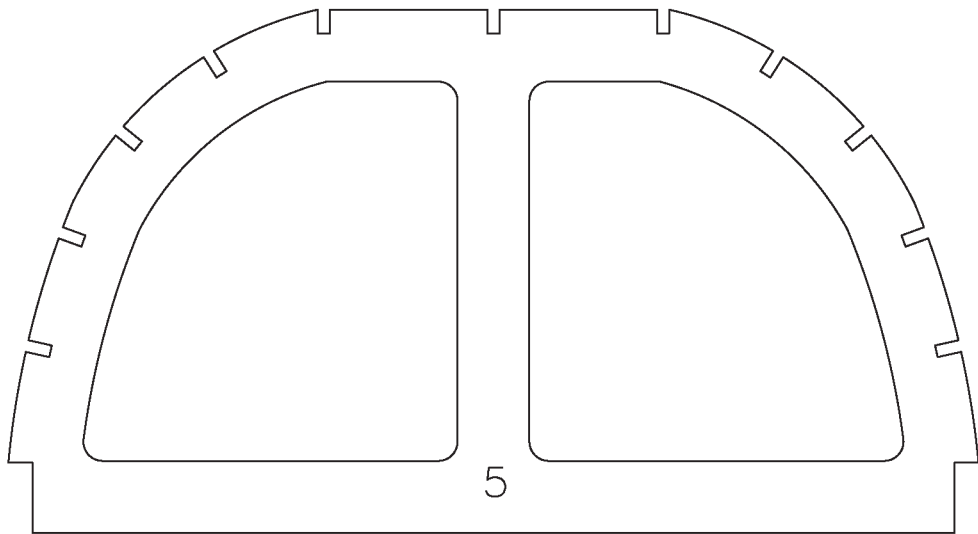
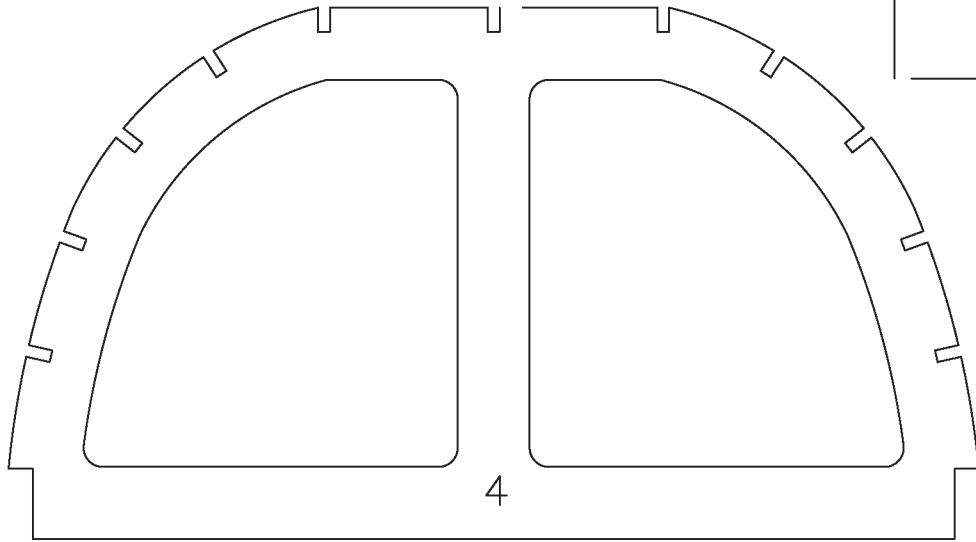
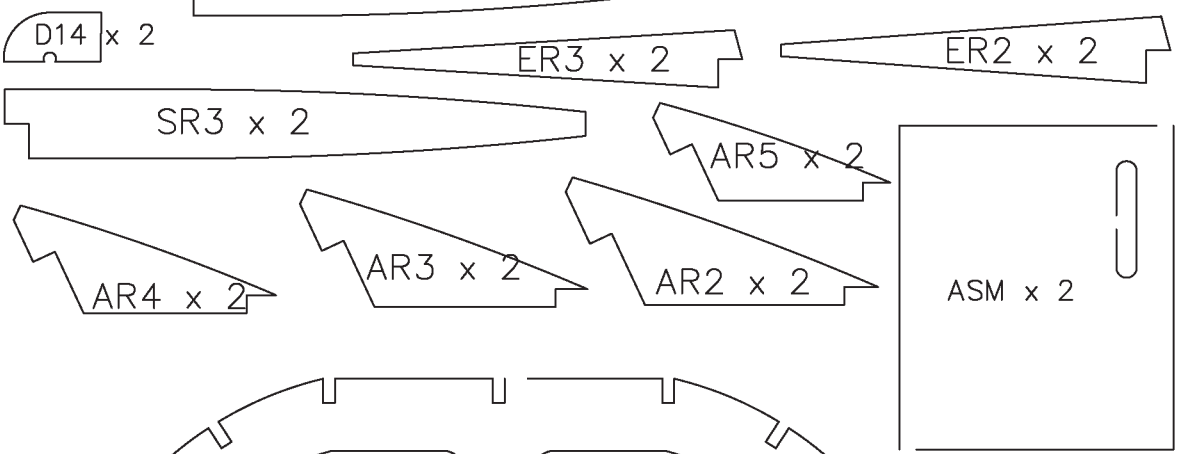


Continuous Pull/Pull  
Cable Routing

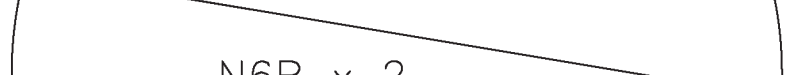
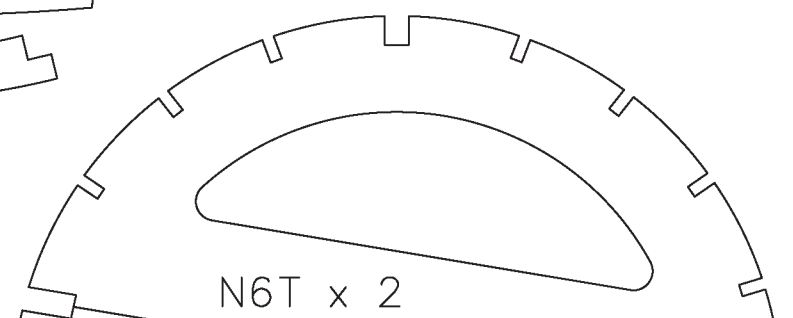
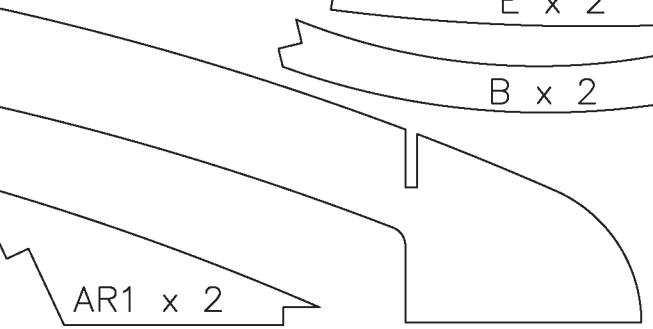
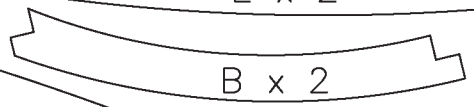
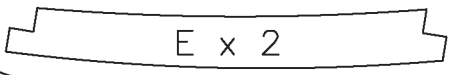
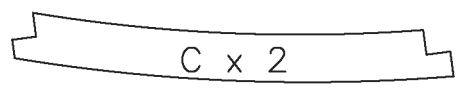
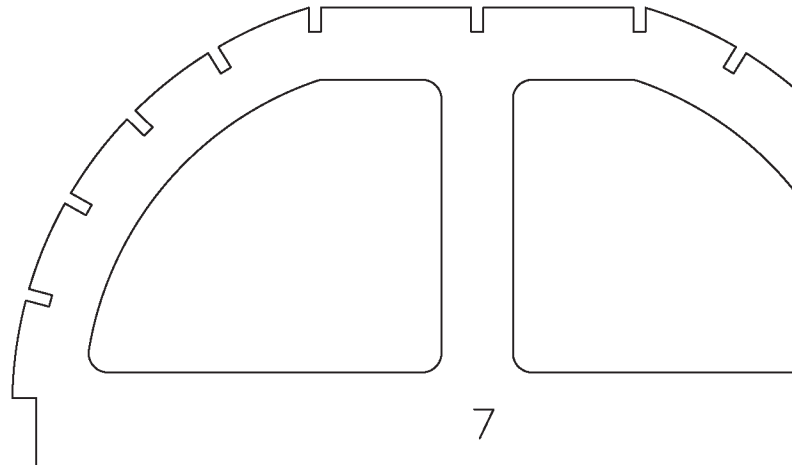
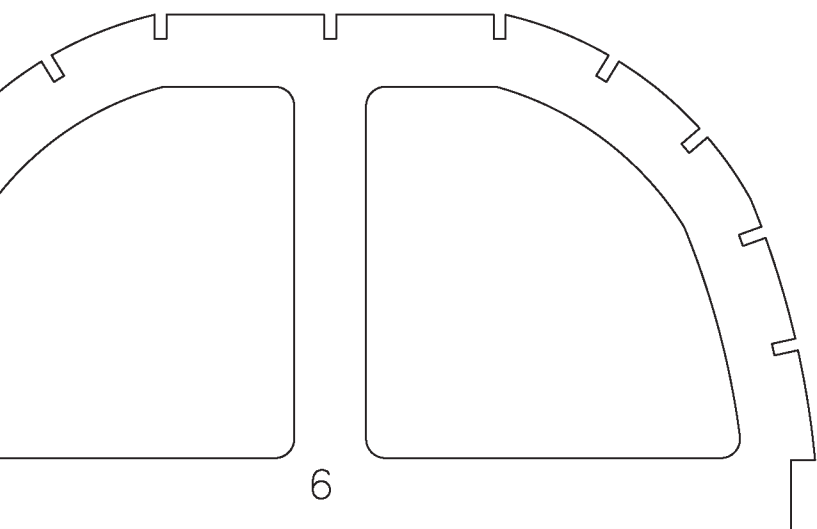
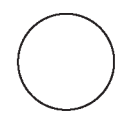
1/32 Ply 1 Ea. Req. Except Where Noted



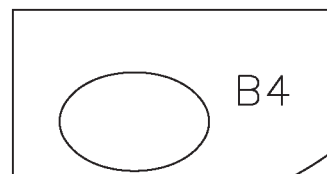
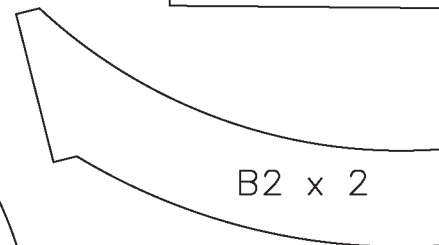
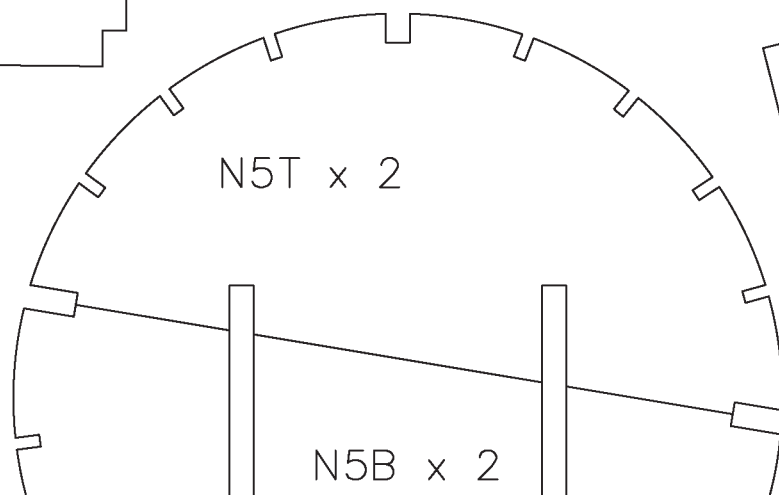
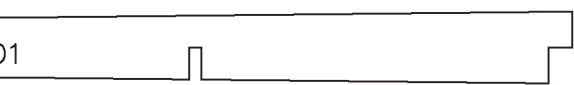
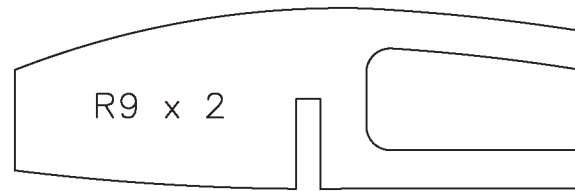
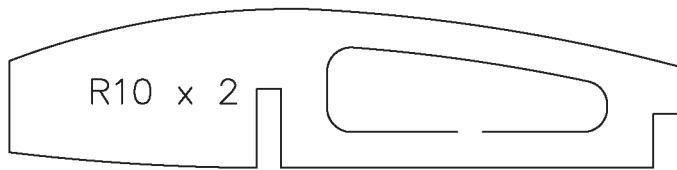
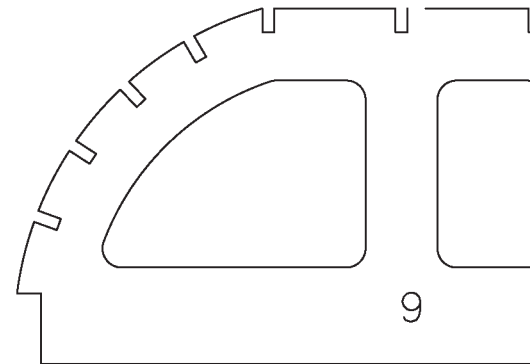
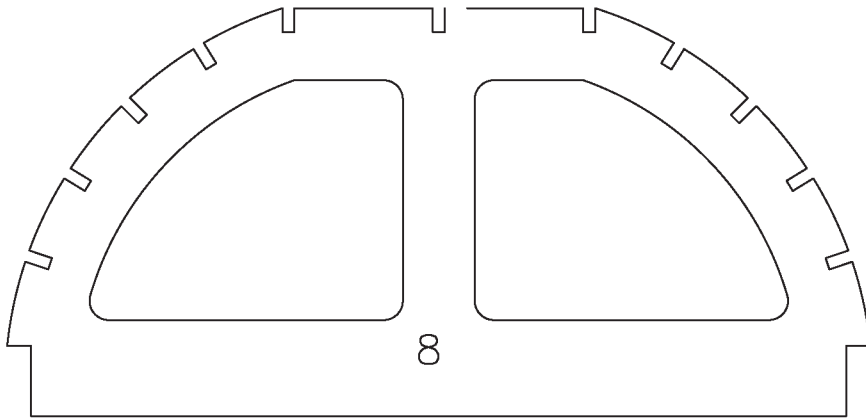
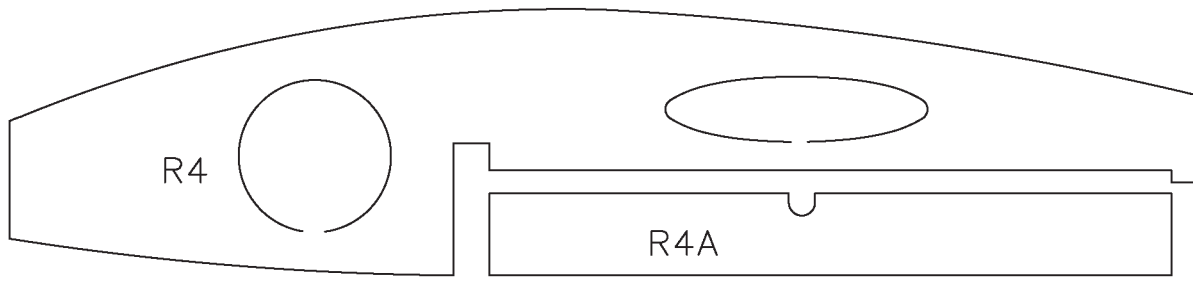
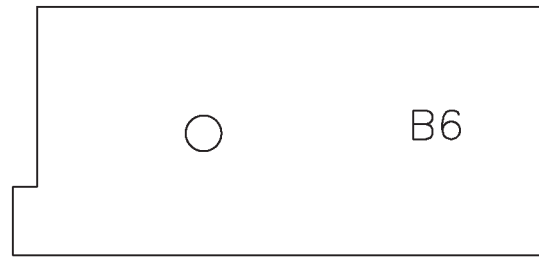
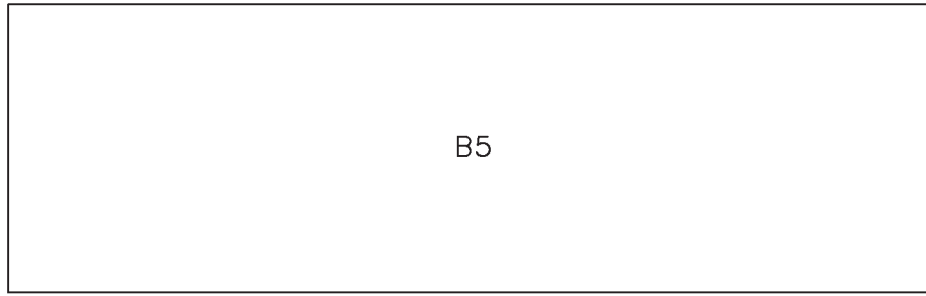


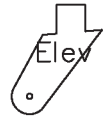


WSB x 2

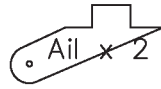


1/8 Lite Ply  
1 Ea. Req. Except Where Noted





Elev



Ail x 2

R5 x 2

R6

R7 x 2

R8 x 2

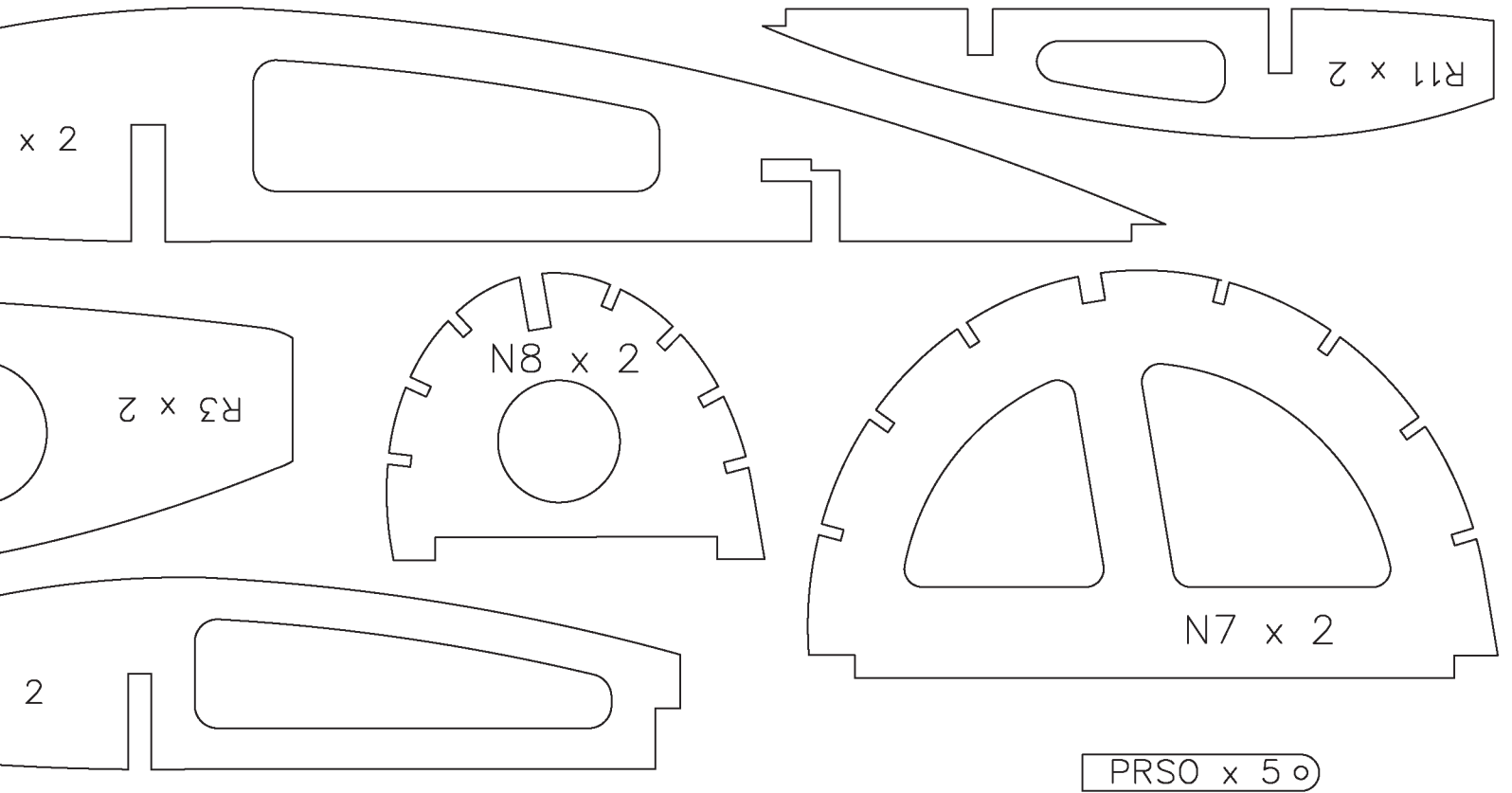
C2

B3A x 2

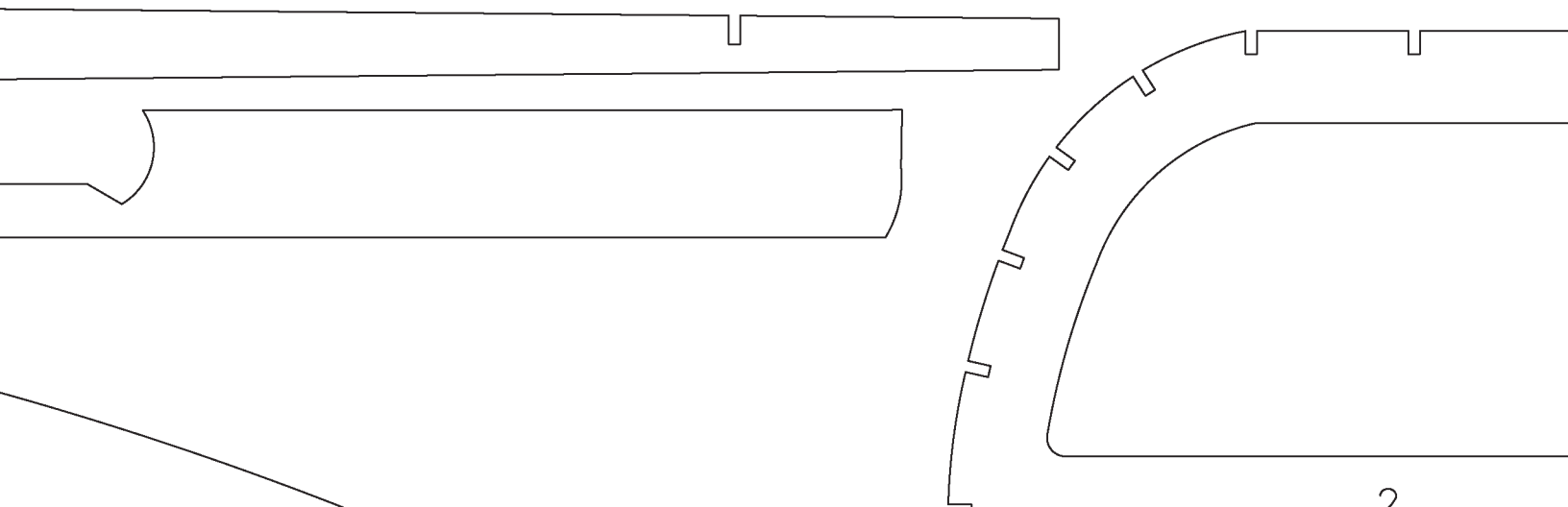
B3 x 2

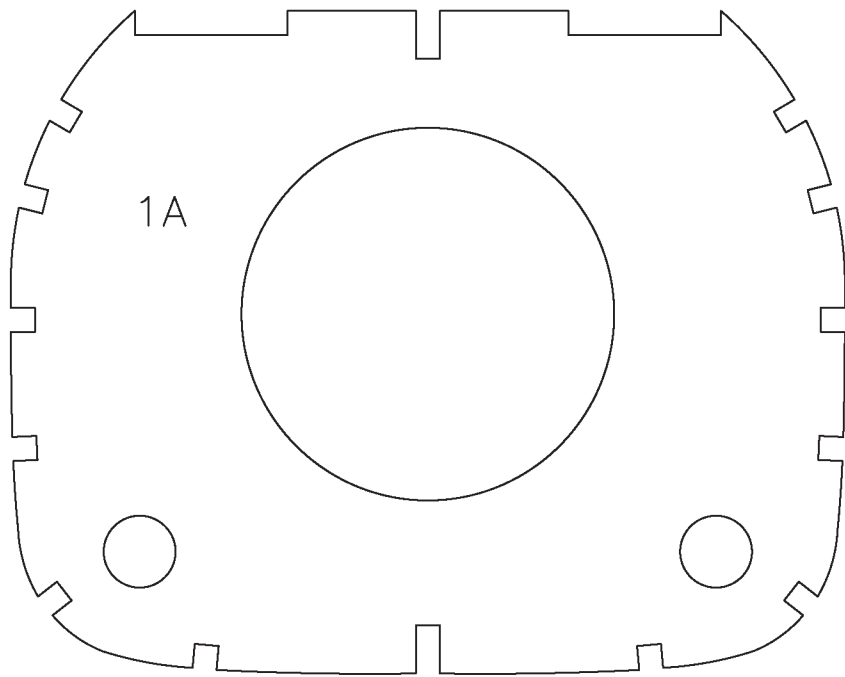
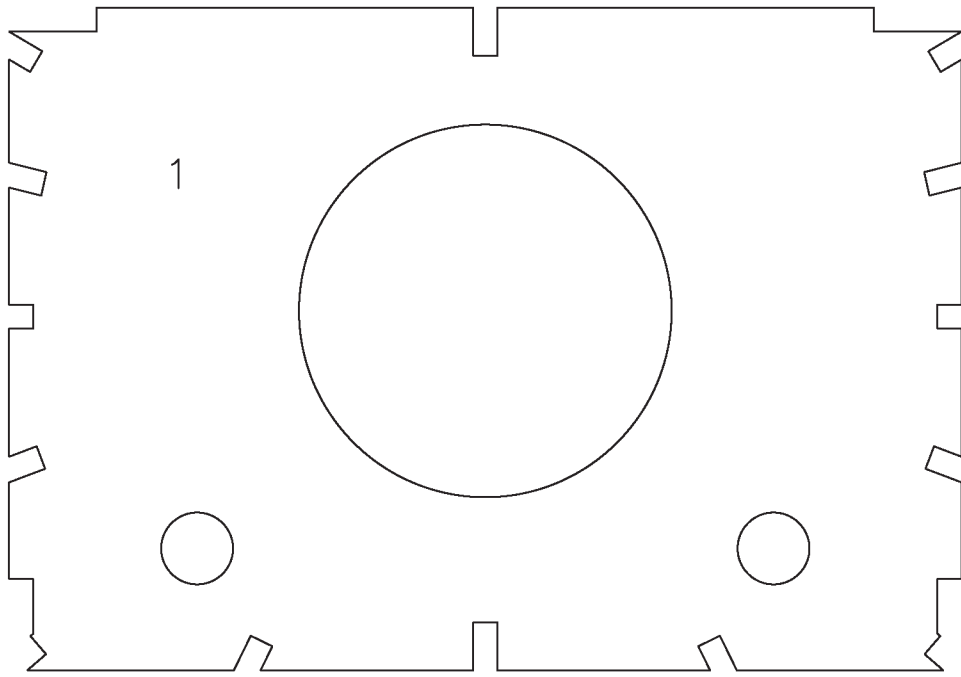
R1





1/16 Balsa  
1 Ea. Req. Except Where Noted





D x 2

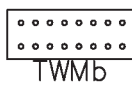
N2 x 2

A1

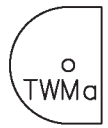
AR6 x 2

NOB x 2

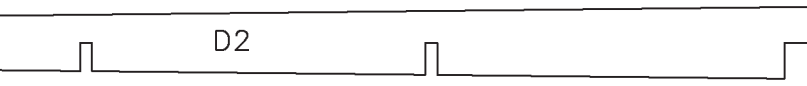
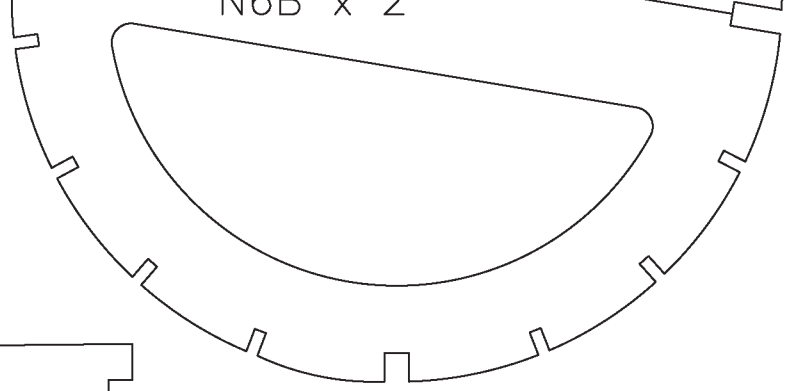
LGFL



TWMB



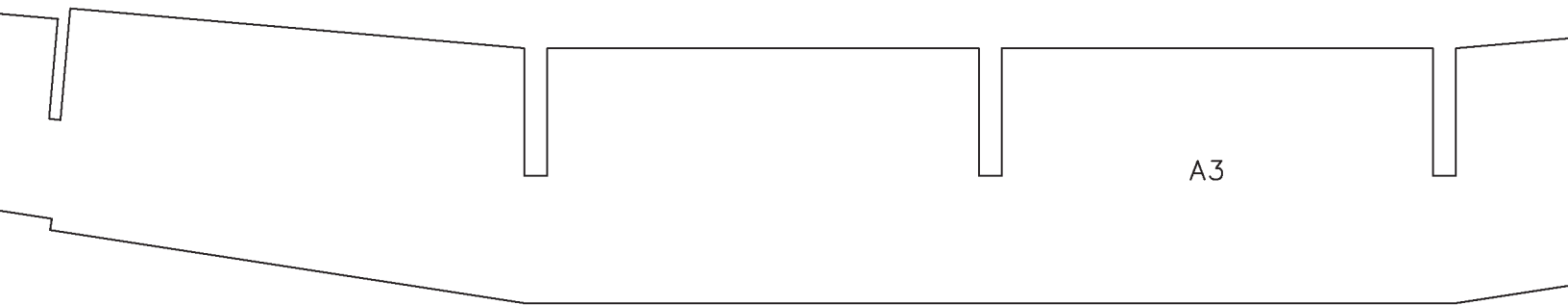
TWMa



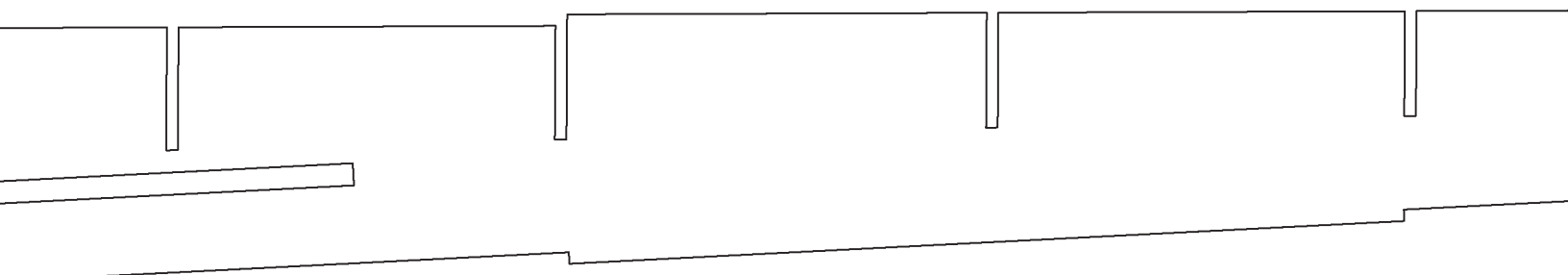
D2

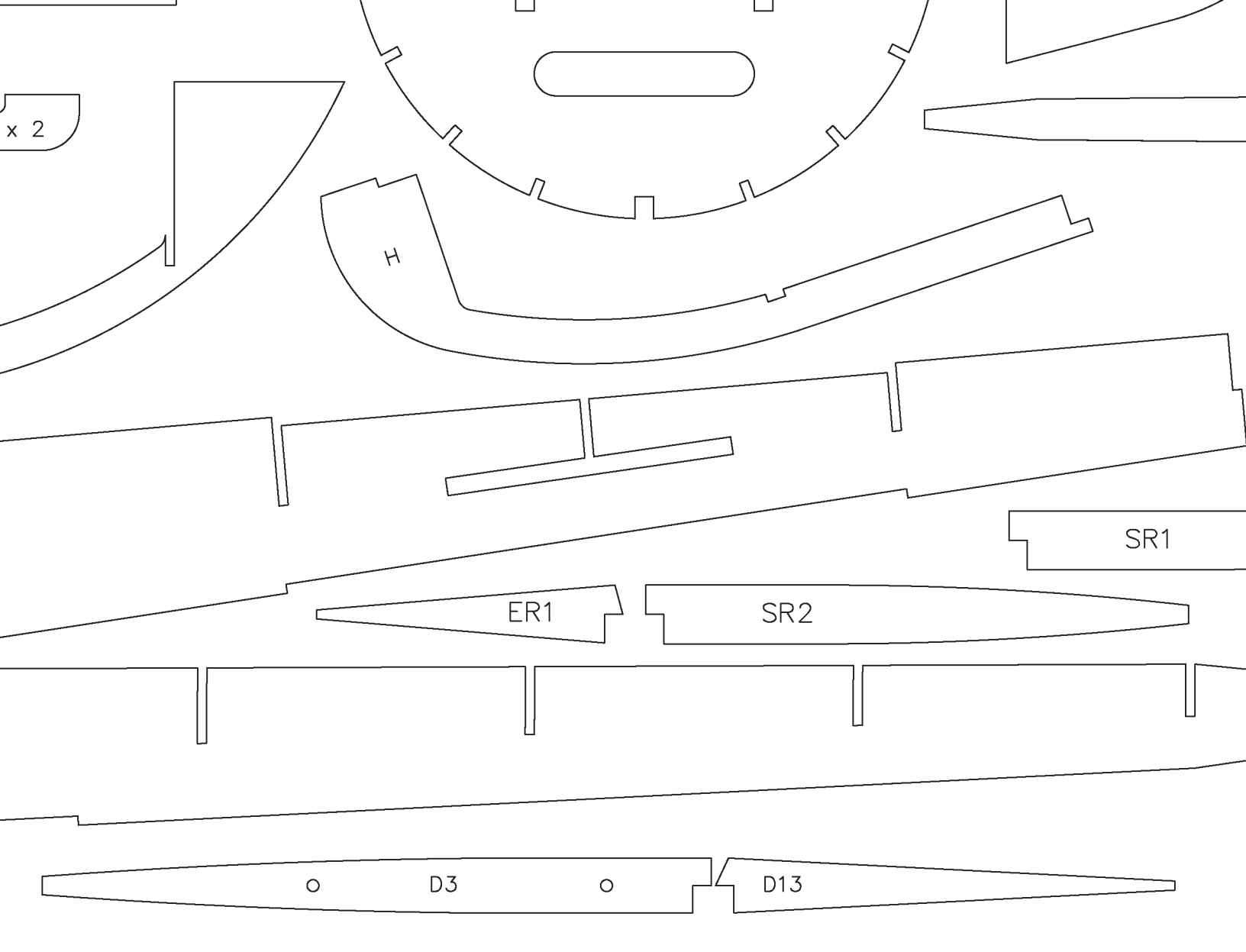


N4 x 2



A3





---

C3

A8 x 2

A7 x 2

B1 x 2

D9

C5 x 2

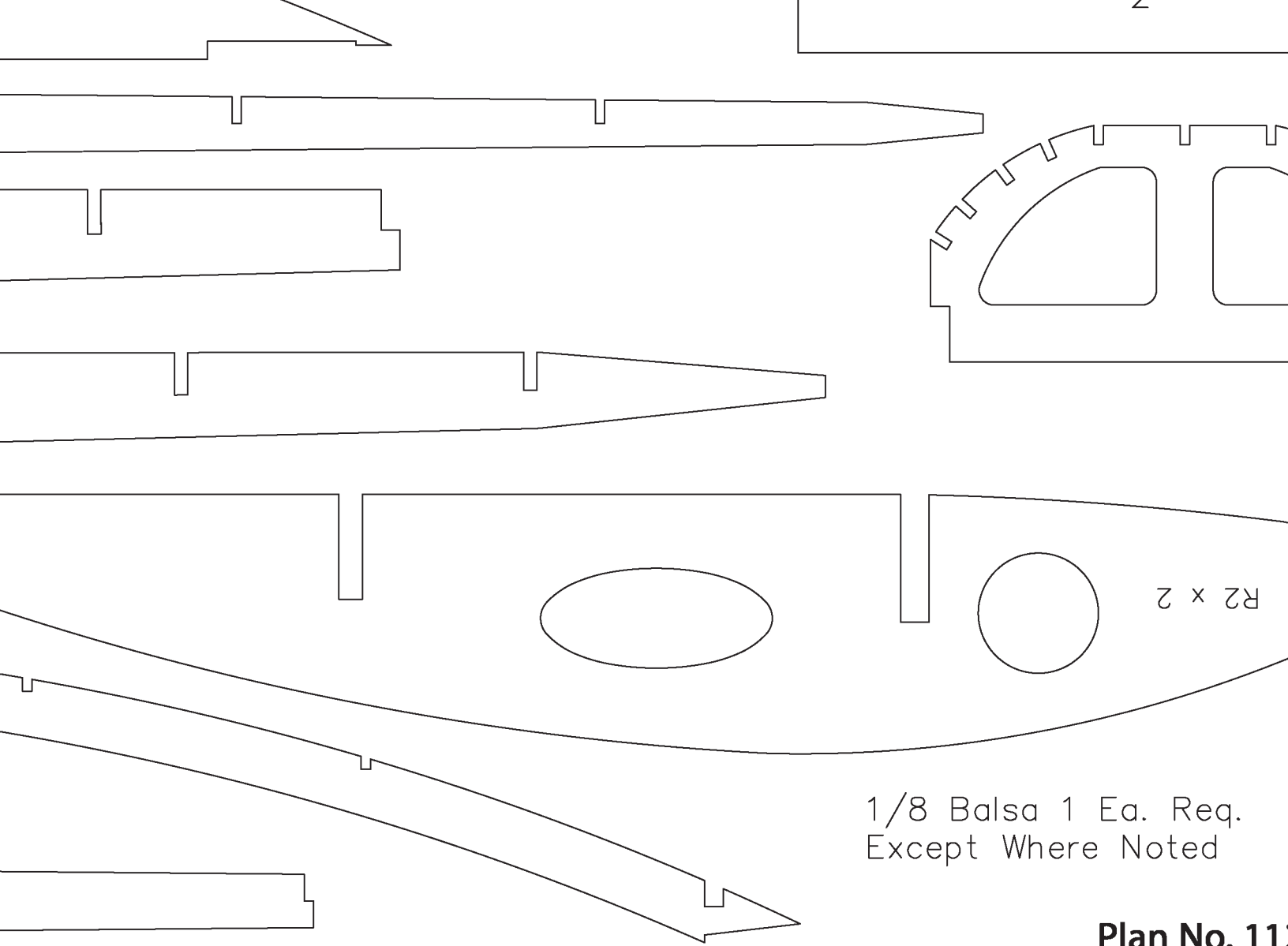
D8

D7

C4

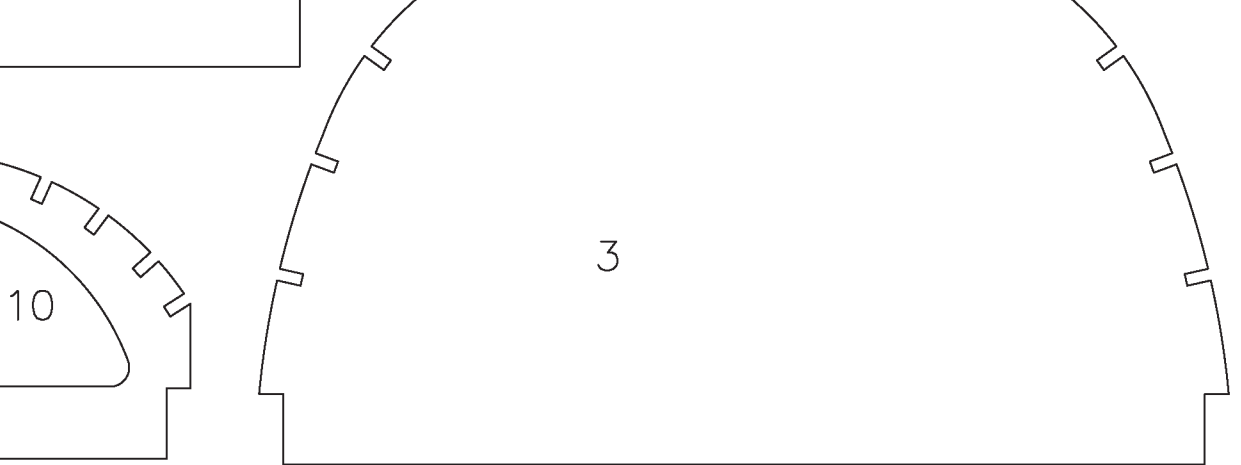
C6 x 2

C1



1/8 Balsa 1 Ea. Req.  
Except Where Noted

**Plan No. 11.**



## Beech AT-10 Wichita

Span: 50" | Area 377 Sq. In.

Length: 36 1/2"

Flying Weight: 33 Oz.

Wing Ldg: 13.3 Oz./ Sq. Ft.

Designed by: Pat Tritle

Sheet 3 of 3 © 5/15/2020