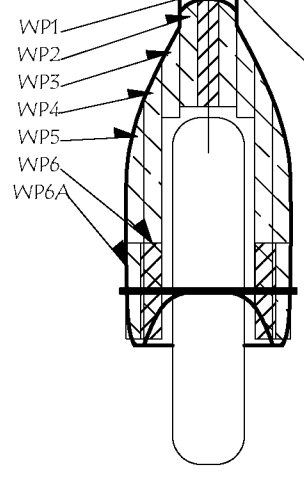
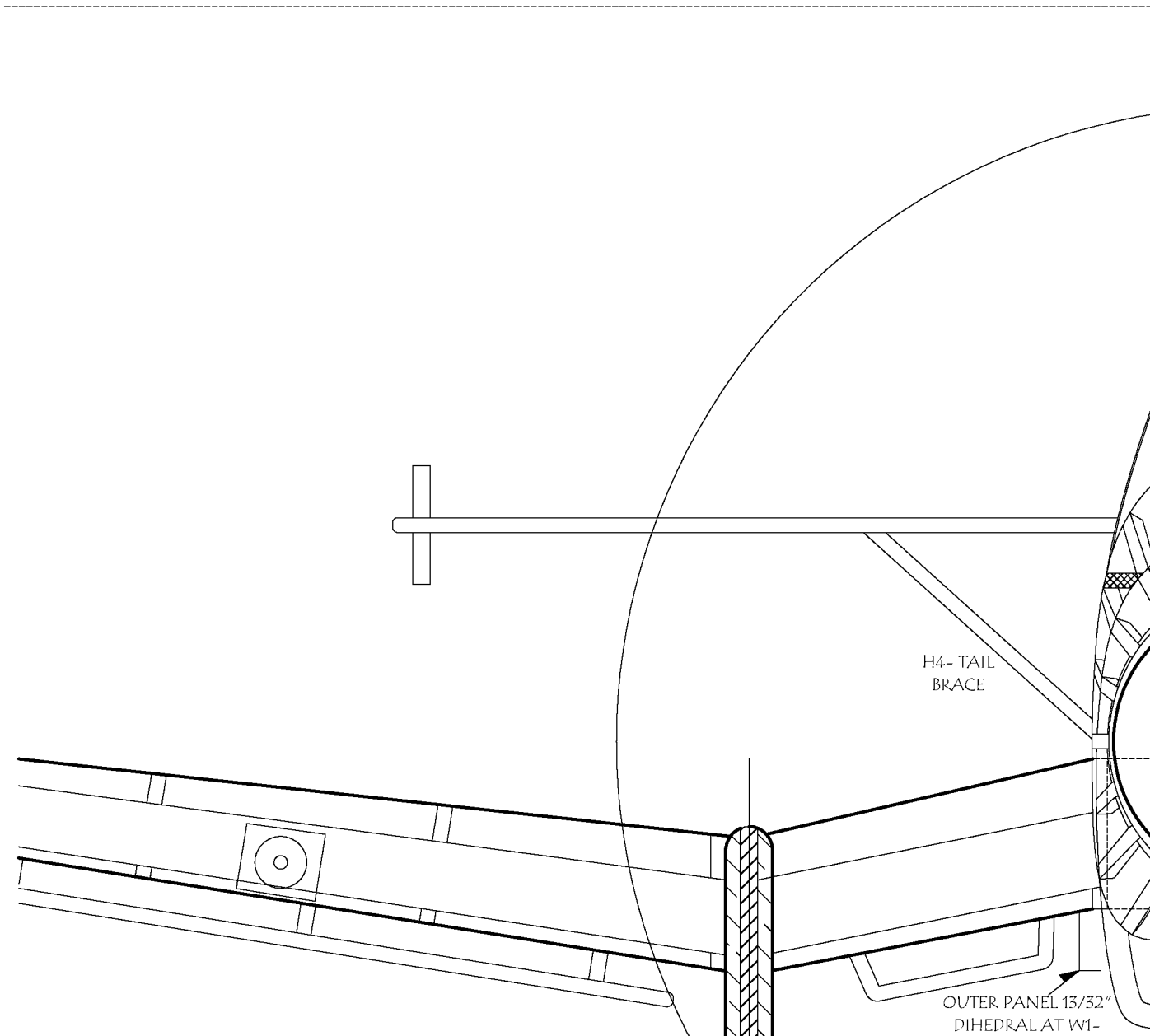
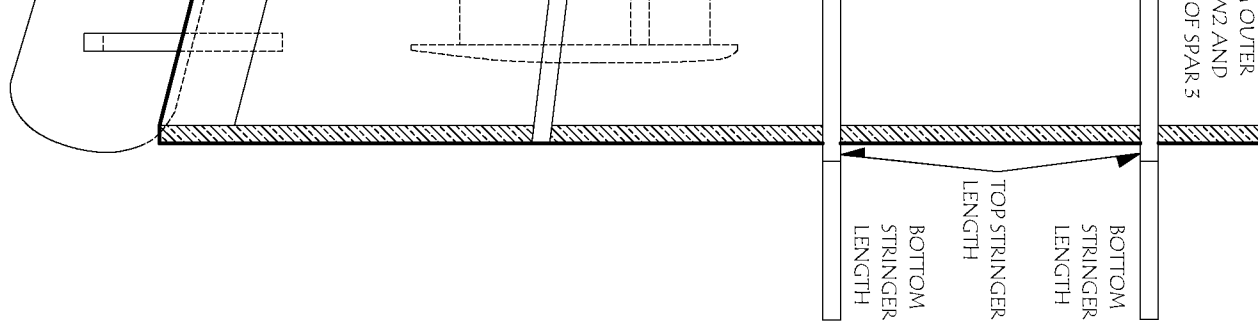


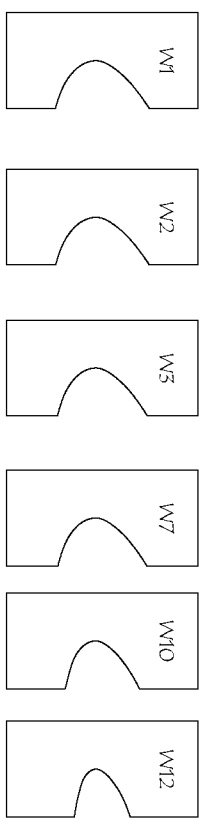
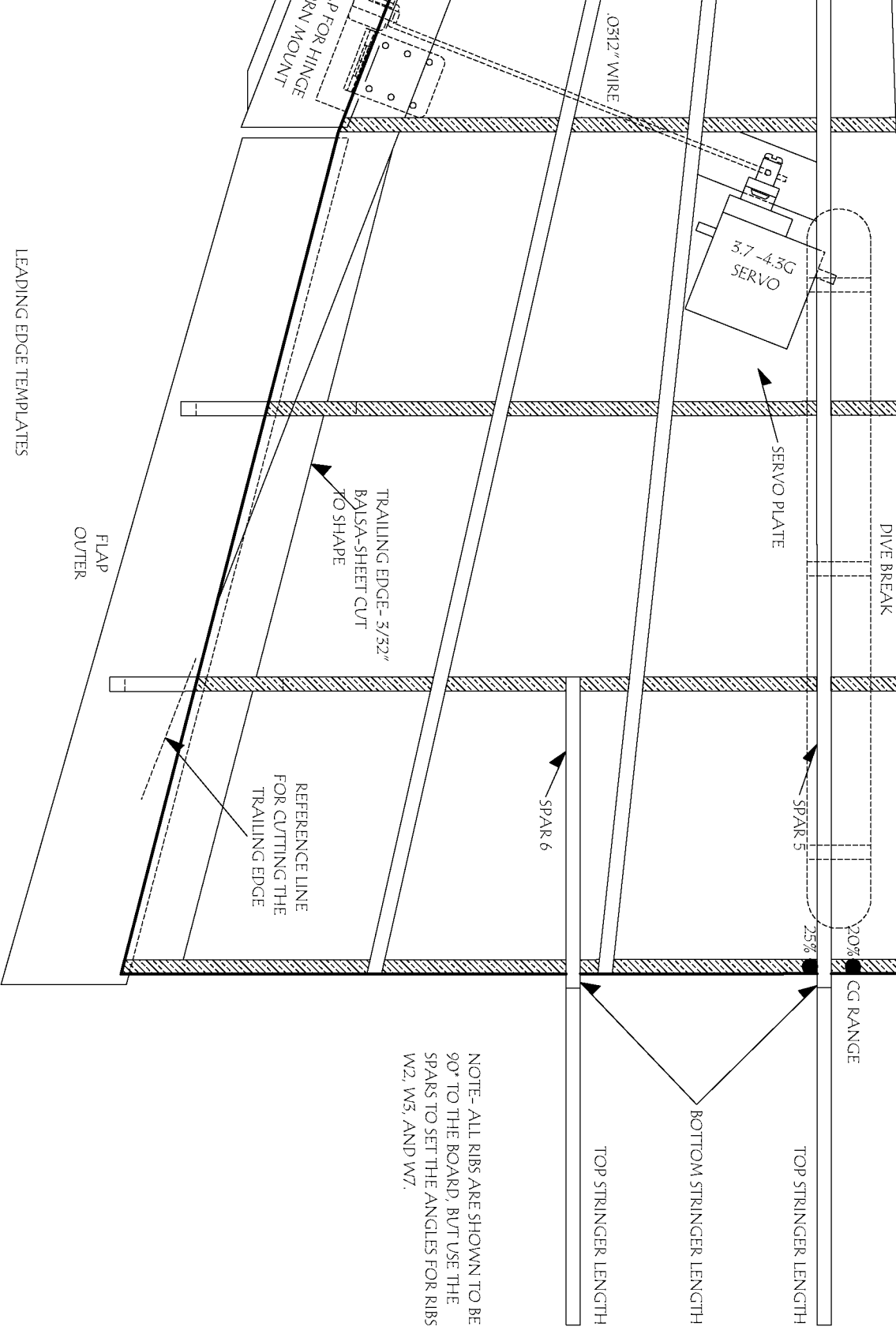
RADIATOR DETAIL



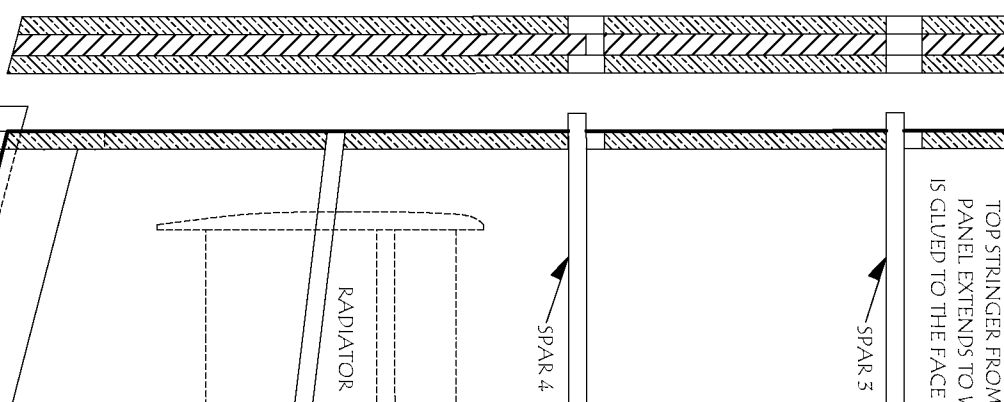
REAR OF WING	CENTER SECTION DIHEDRAL JIG BUILDING BOARD	STRINGER #1
--------------	---	-------------

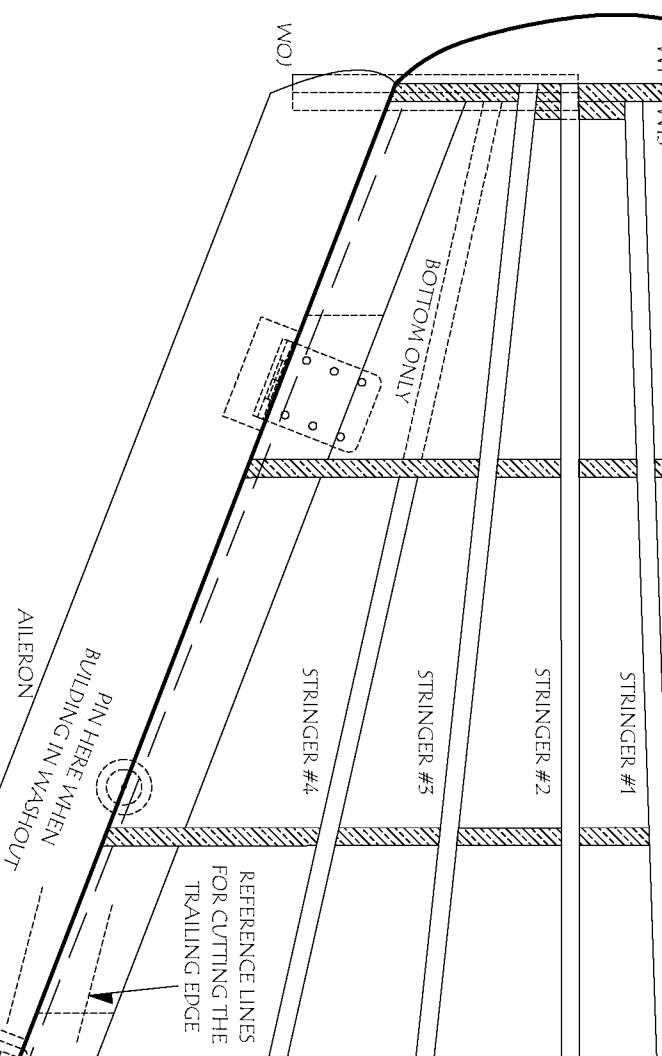
OUTER  
N2 AND  
OF SPAR 3



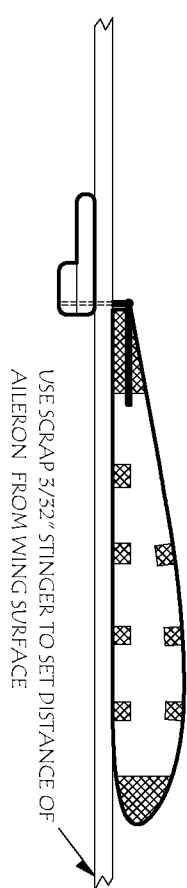


NOTE - ALL RIBS ARE SHOWN TO BE 90° TO THE BOARD, BUT USE THE SPARS TO SET THE ANGLES FOR RIBS W2, W5, AND W7.

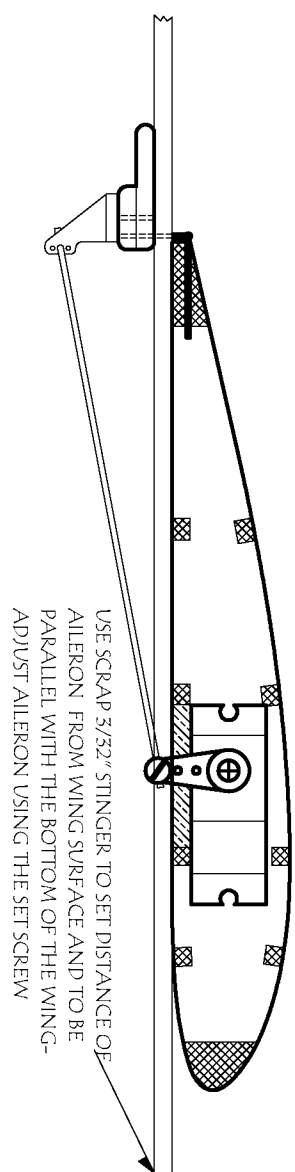




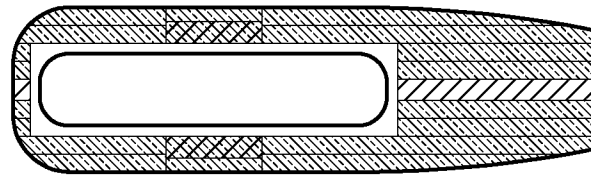
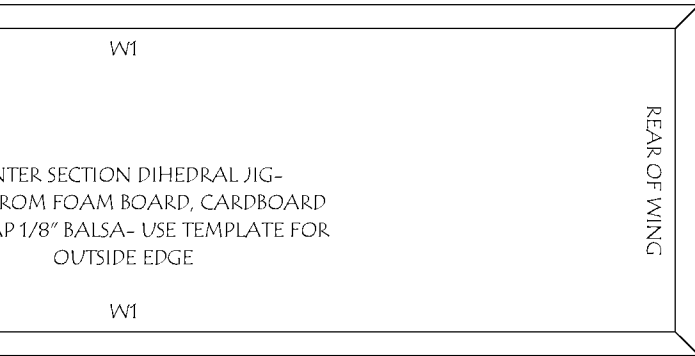
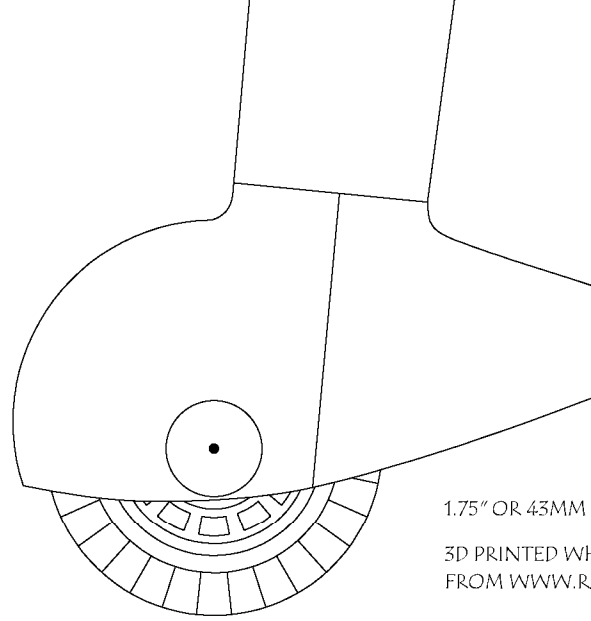
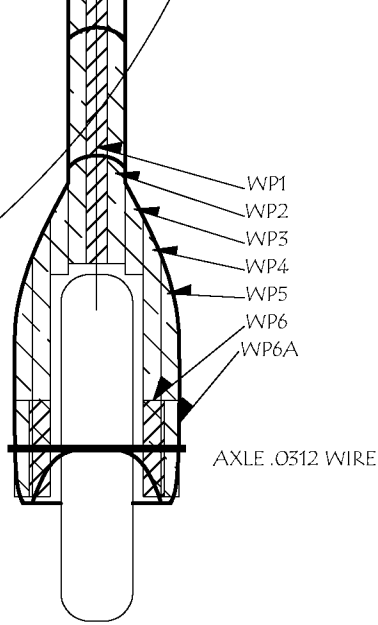
W12 AILERON ALIGNMENT DETAIL-  
LOOKING AT THE TIP



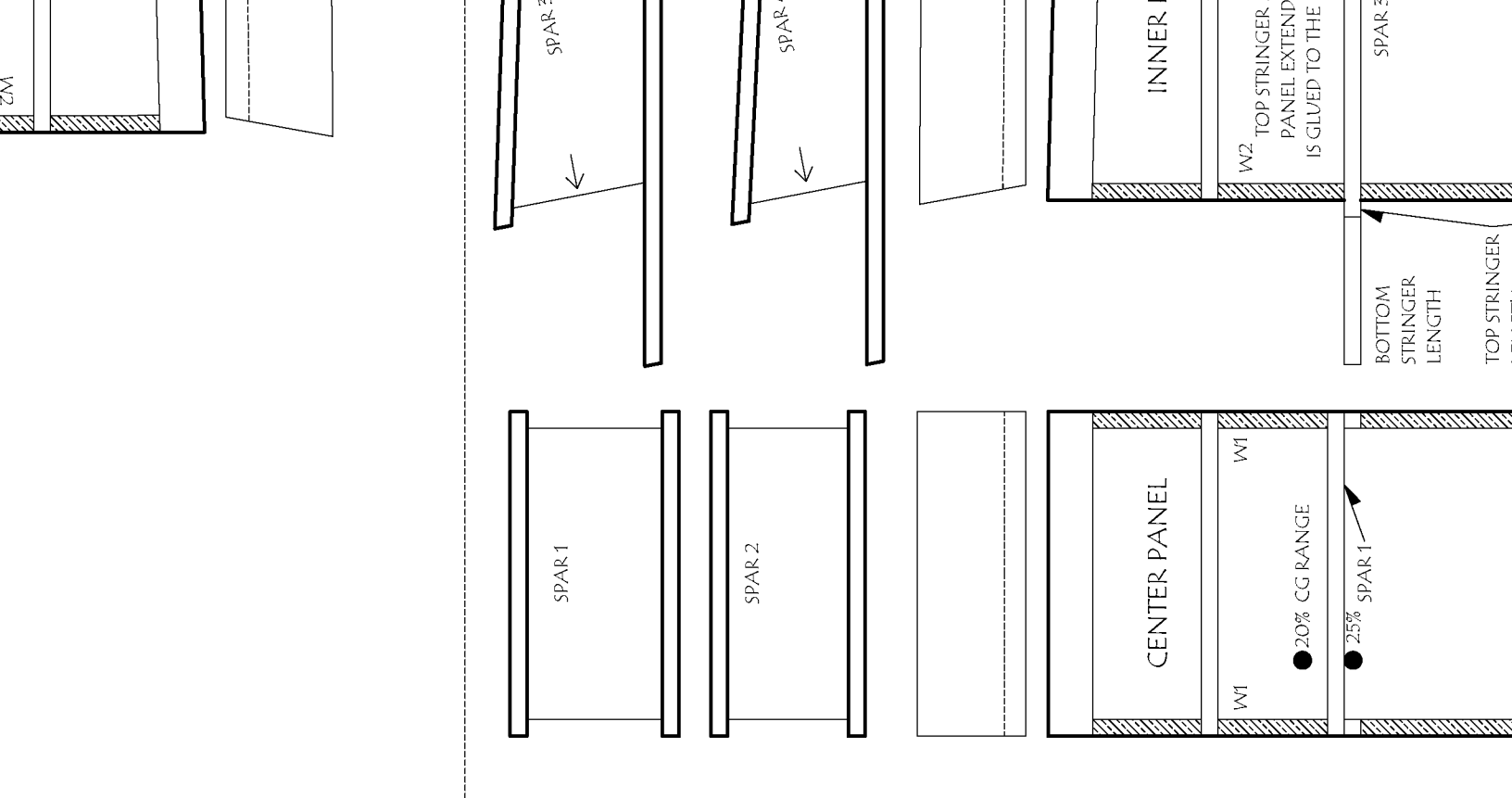
W10 DETAIL- LOOKING AT THE TIP



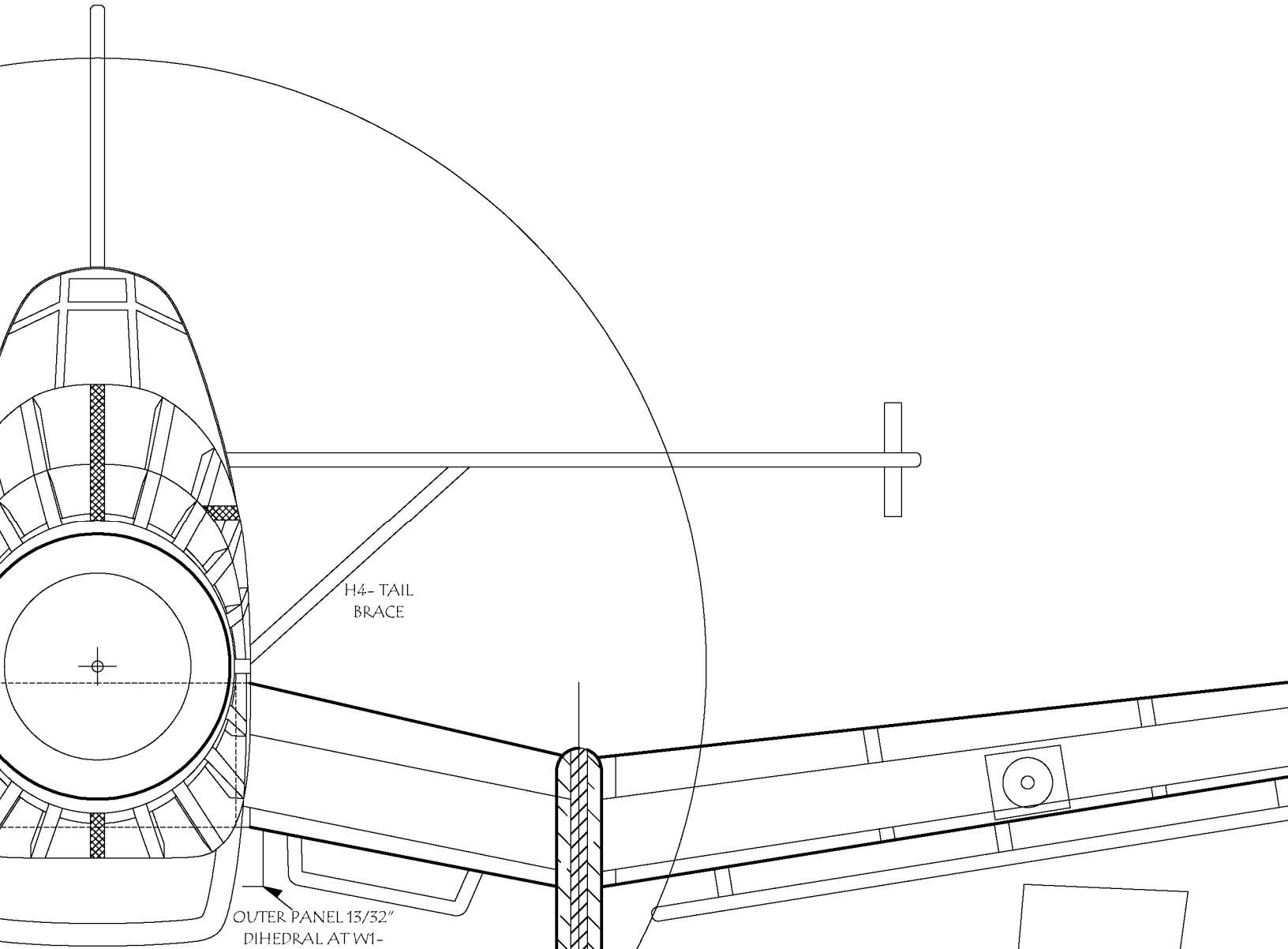
OR USE TEMPLATE

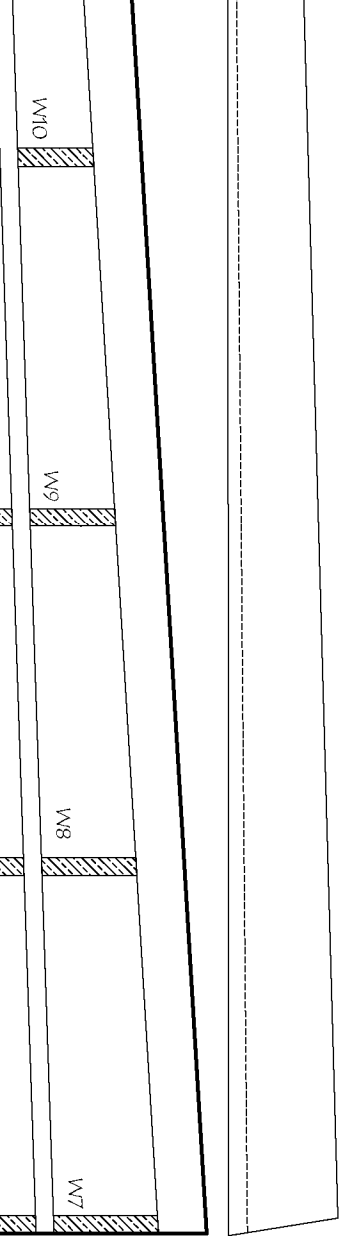


STRINGER #1	STRINGER #1	CENTER SECTION DIHEDRAL JIG BUILDING BOARD	REAR OF WING	REAR OF
-------------	-------------	---	--------------	---------

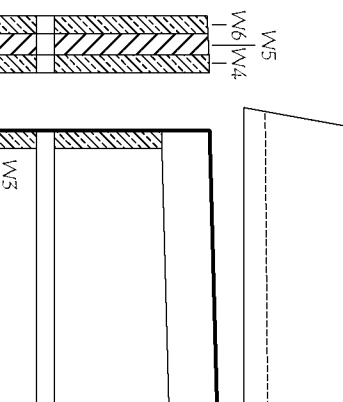


PLANS CAN BE TRIMMED ALONG THIS LINE



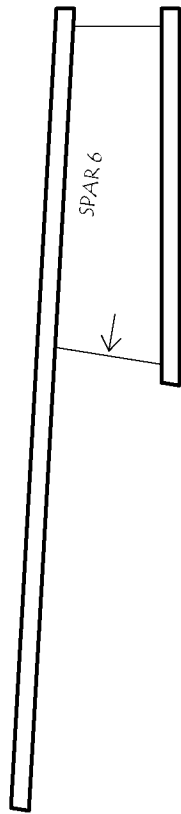
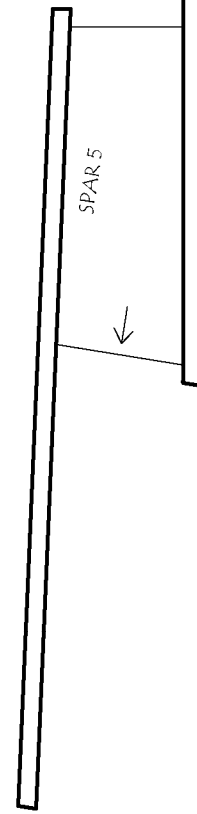


TEMPLATES FOR LEADING EDGE-  
MADE FROM 1/4" MEDIUM Balsa  
DASHED LINE IS CUT AWAY ONCE  
WING IS UNPINNED FROM BOARD

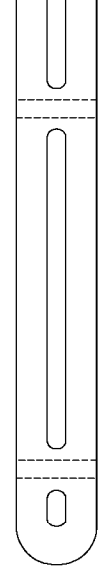


PLANS CAN BE TRIMMED ALONG

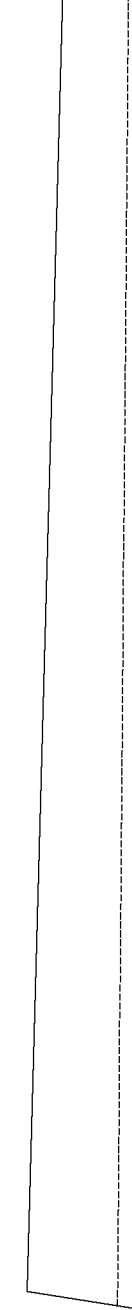
SPAR/STRINGER TEMPLATES  
SEE DETAIL BELOW



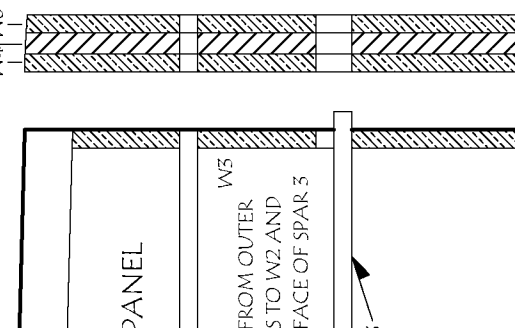
DIVE BREAK



TEMPLATES FOR LEADING EDGE-  
MADE FROM 1/4" MEDIUM Balsa  
DASHED LINE IS CUT AWAY ONCE  
WING IS UNPINNED FROM BOARD



GEAR MOUNT



OUTER PANEL

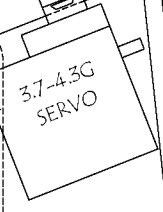
DIVE BREAK

CG RANGE

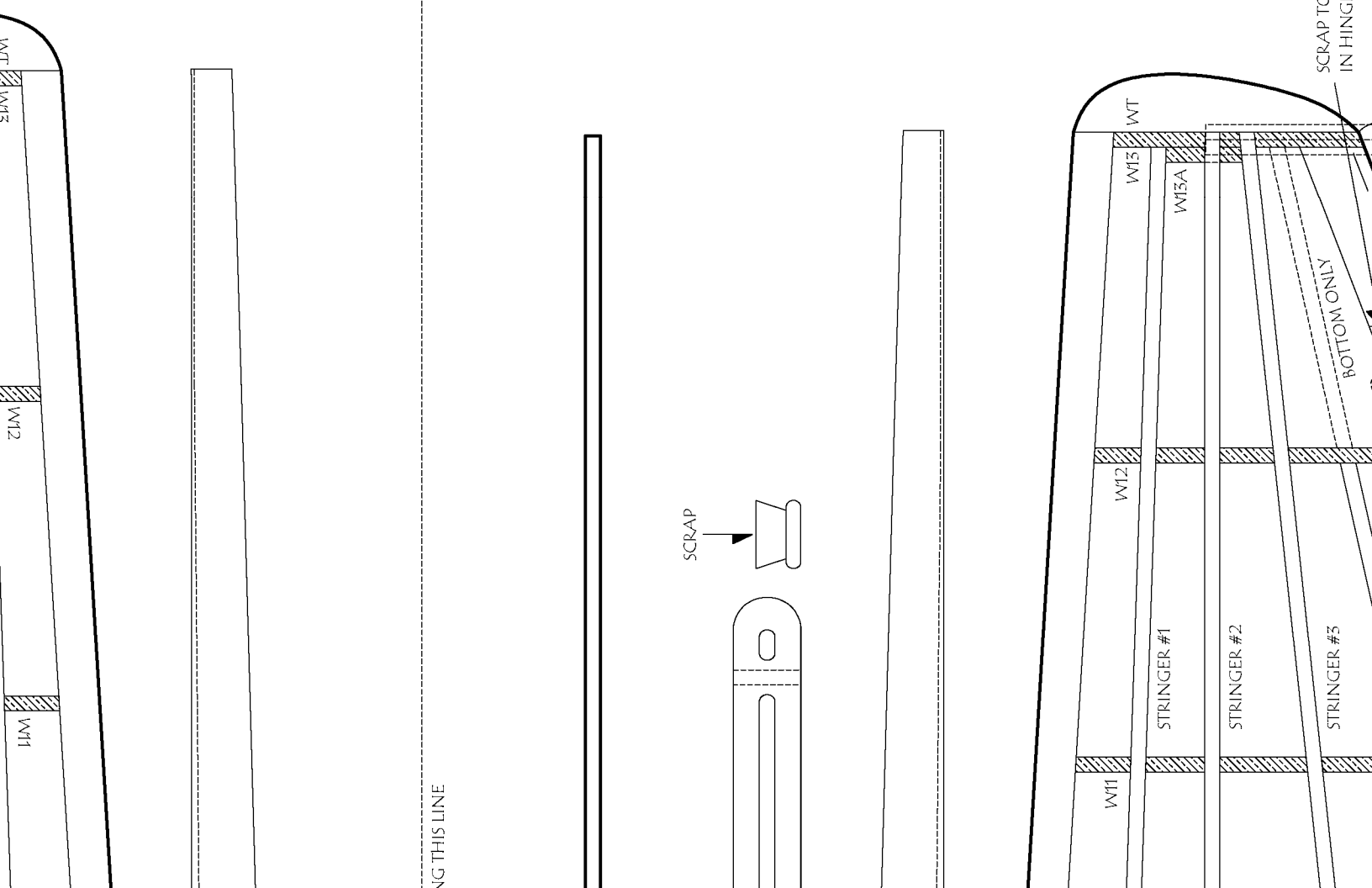
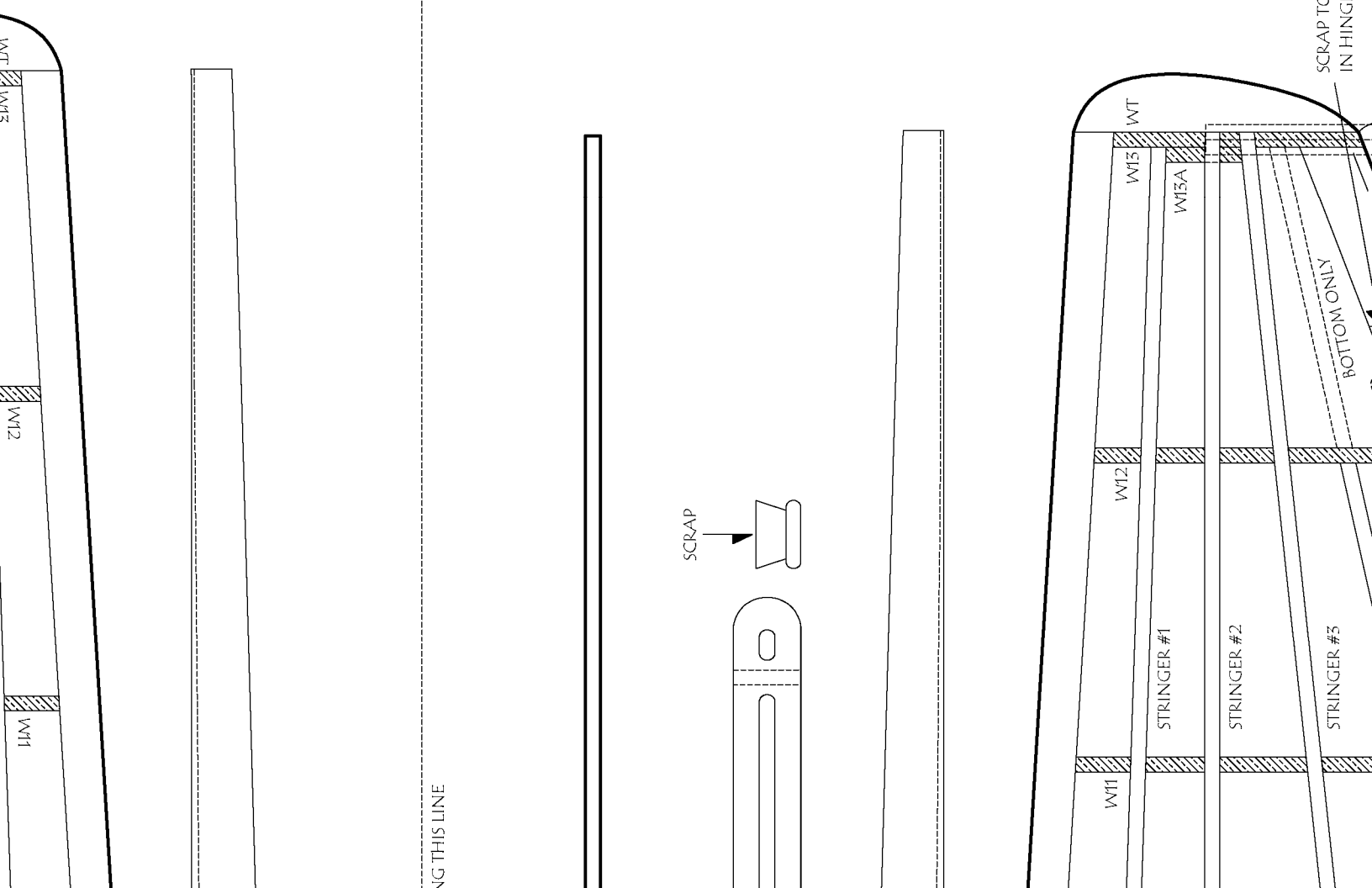
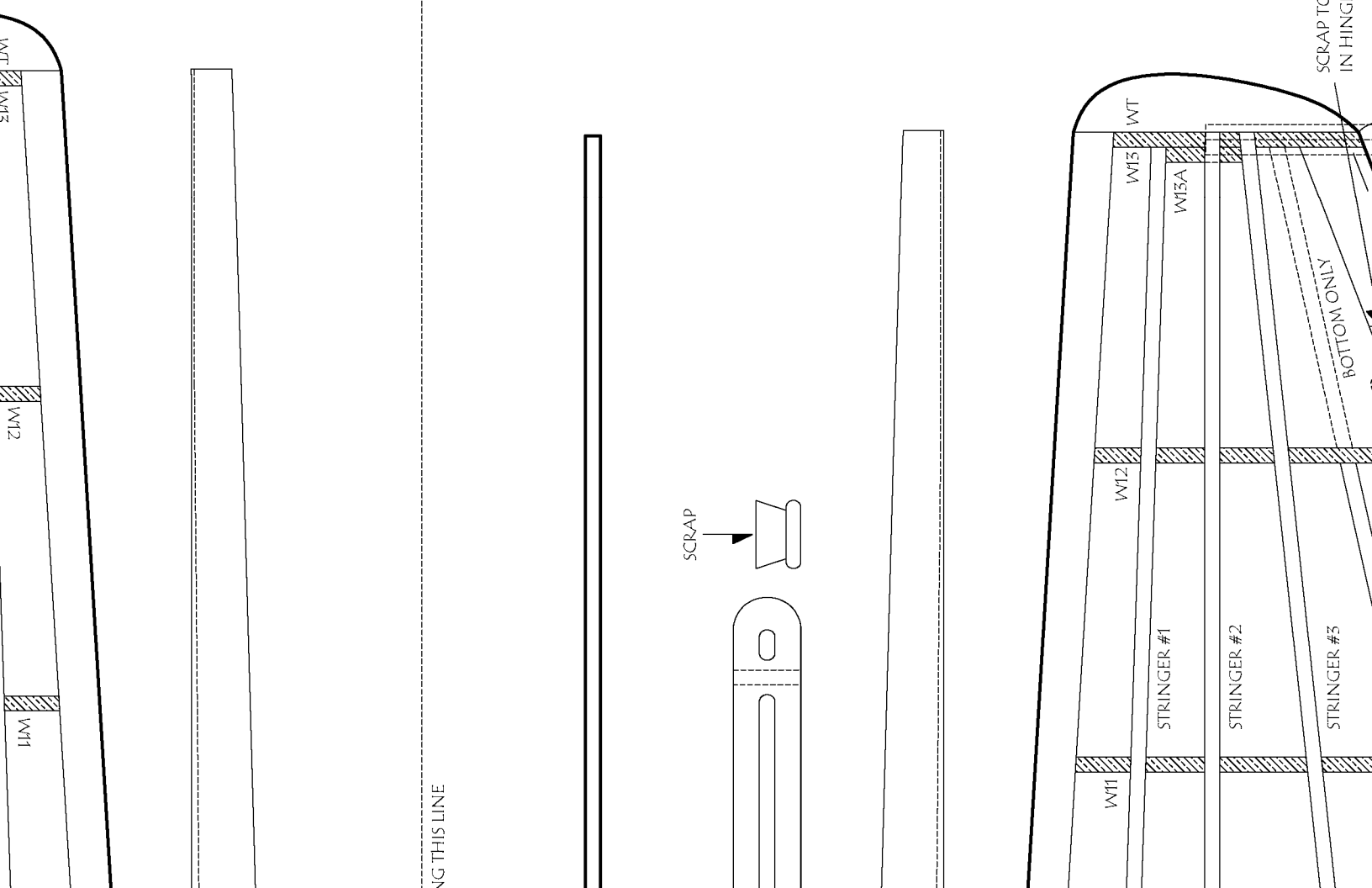
TOP STRINGER LENGTH

BOTTOM STRINGER LENGTH

SERVO PLATE



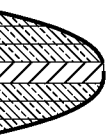
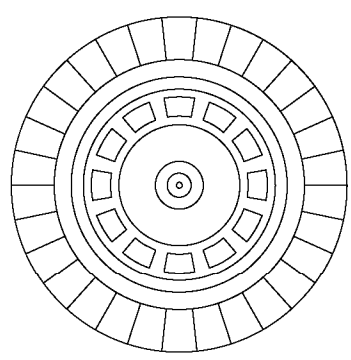
FROM OUTER  
S5 TO W2 AND  
FACE OF SPAR 3







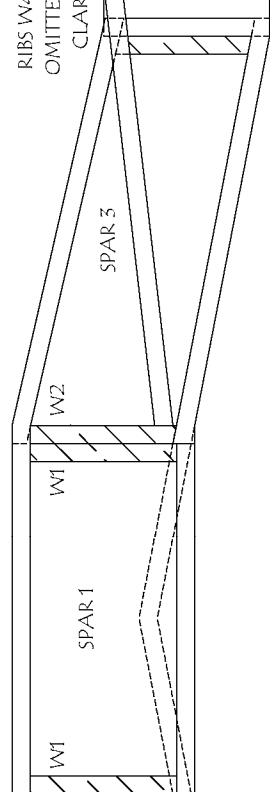
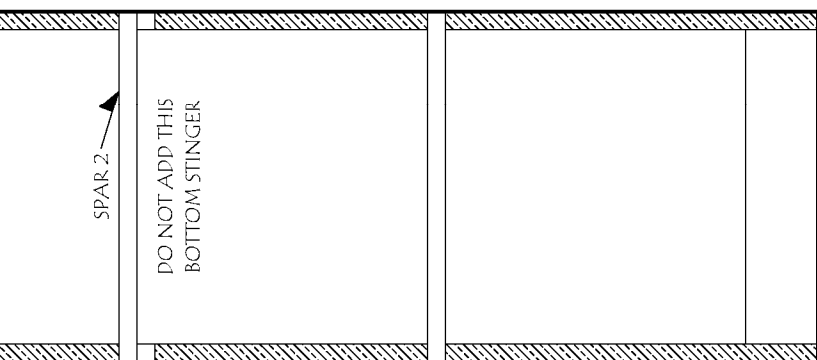
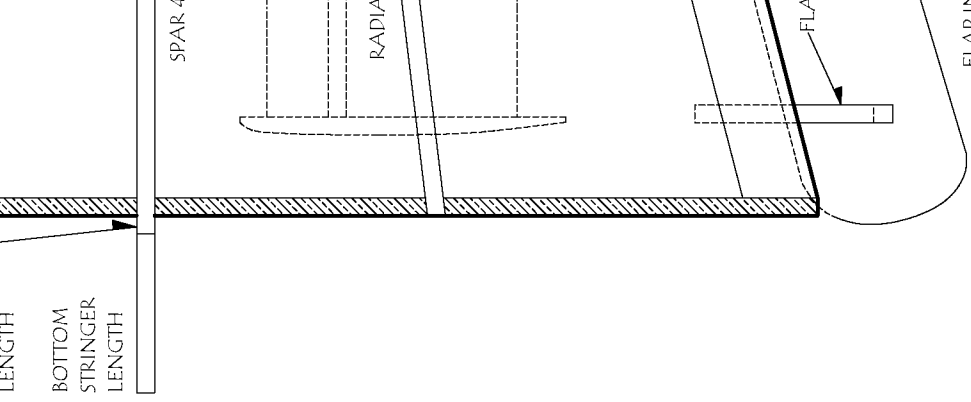
WHEEL  
 WHEELS AVAILABLE  
 AT ABIDMODELS.COM



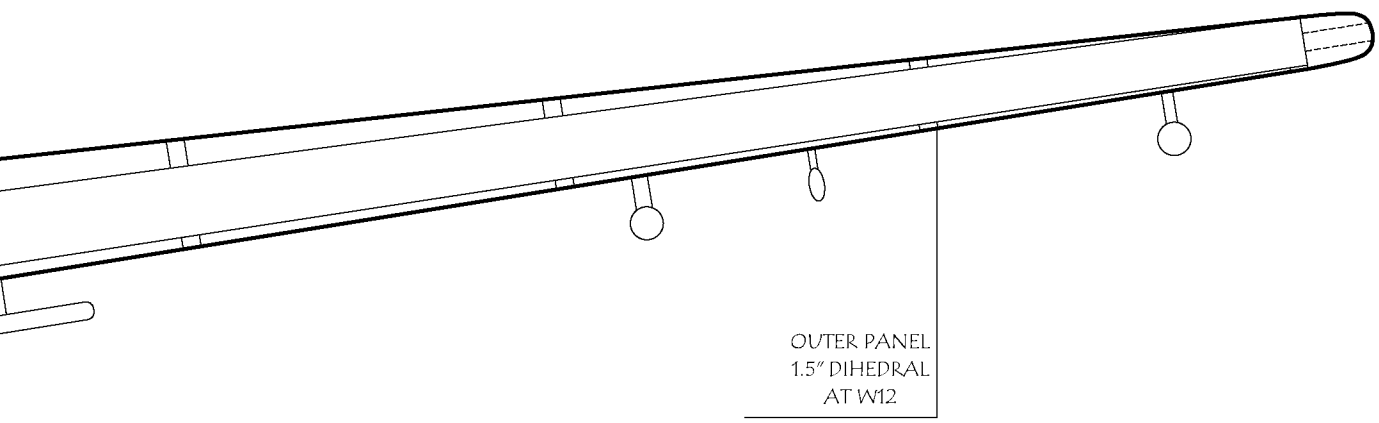
WING

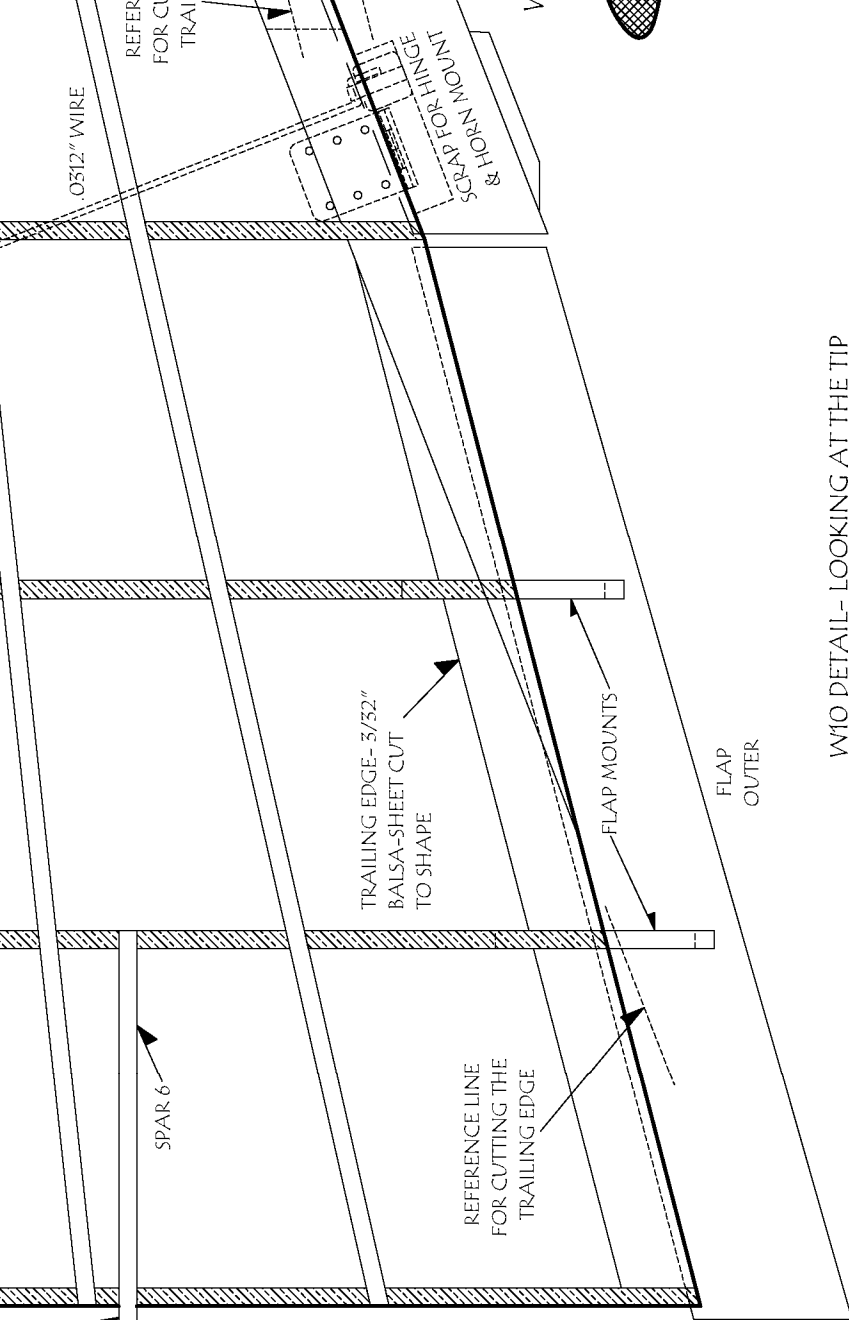


Copyright 2023 and **ModelAviation**  
 Copying for resale of this drawing without  
 the written approval or consent of AMA  
 is expressly prohibited.



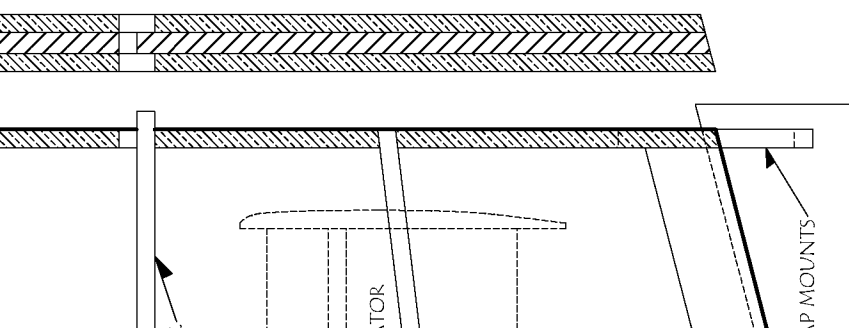
SPAR DETAIL AT  
STRINGER #2-  
LOOKING AFT



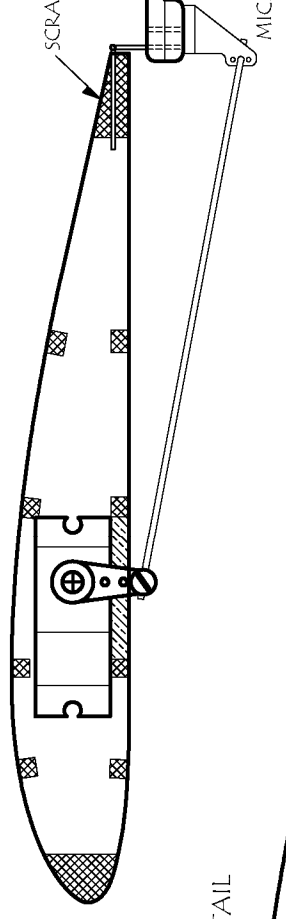


TOP STRINGER LENGTH

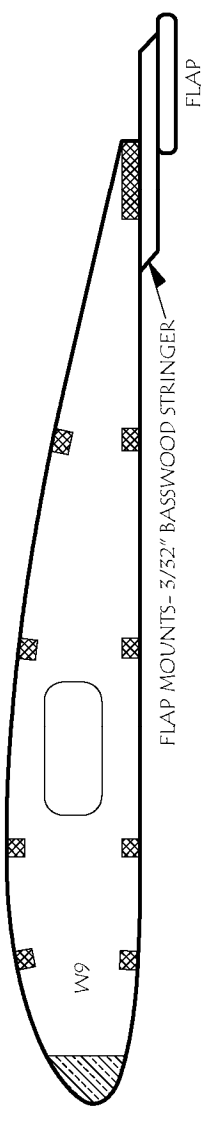
NOTE- ALL RIBS ARE SHOWN TO BE 90° TO THE BOARD, BUT USE THE SPARS TO SET THE ANGLES FOR RIBS W2, W3, AND W7.



W10 DETAIL- LOOKING AT THE TIP

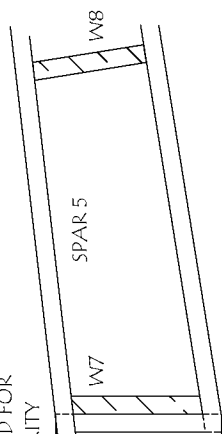


W9 FLAP MOUNTING DETAIL

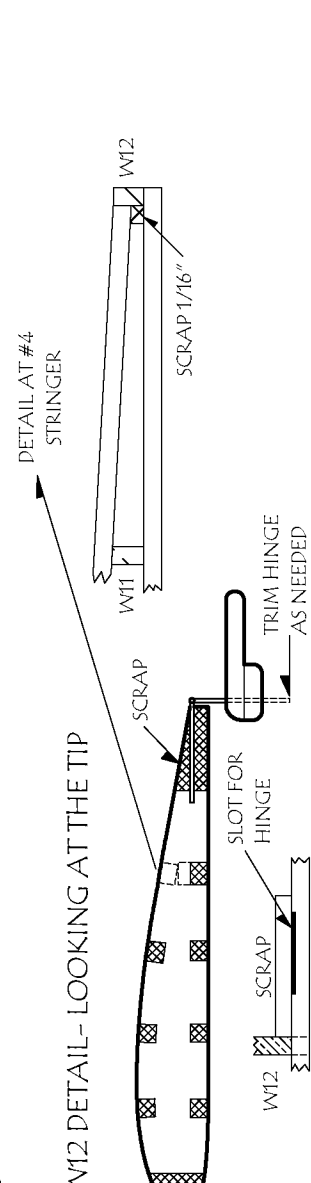
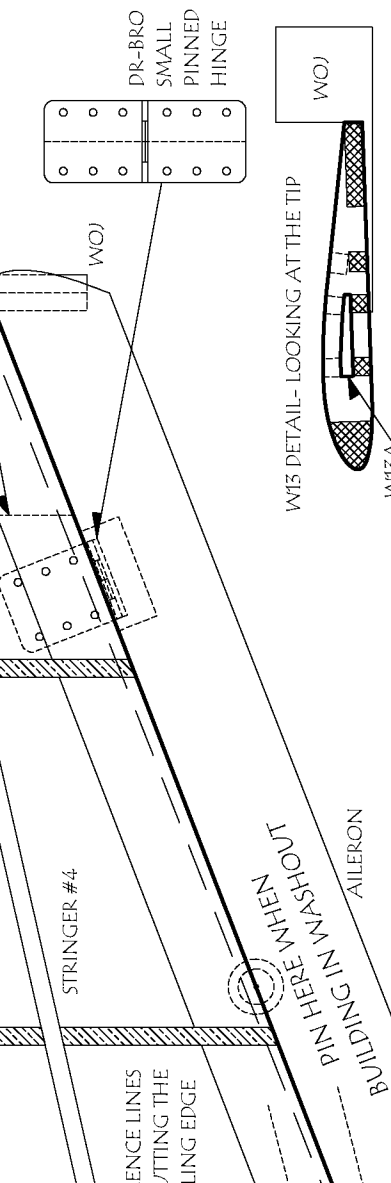


INNER

1- W6  
D FOR  
ITY



0



NOTCH THE T.E FOR THE HINGE. ADD SCRAP ON TOP TO BOX IN THE HINGE

# JU-87 D3 STUKA

DESIGNED BY DEREK MICKO  
 30" WINGSPAN  
 6-9 OUNCES  
 CHANNELS: 4  
 MOTOR: 18-24 GRAM  
 ALL RIGHTS RESERVED  
 SHEET 2 **Plan No. 1137**



1	2	3	4	5	6
---	---	---	---	---	---