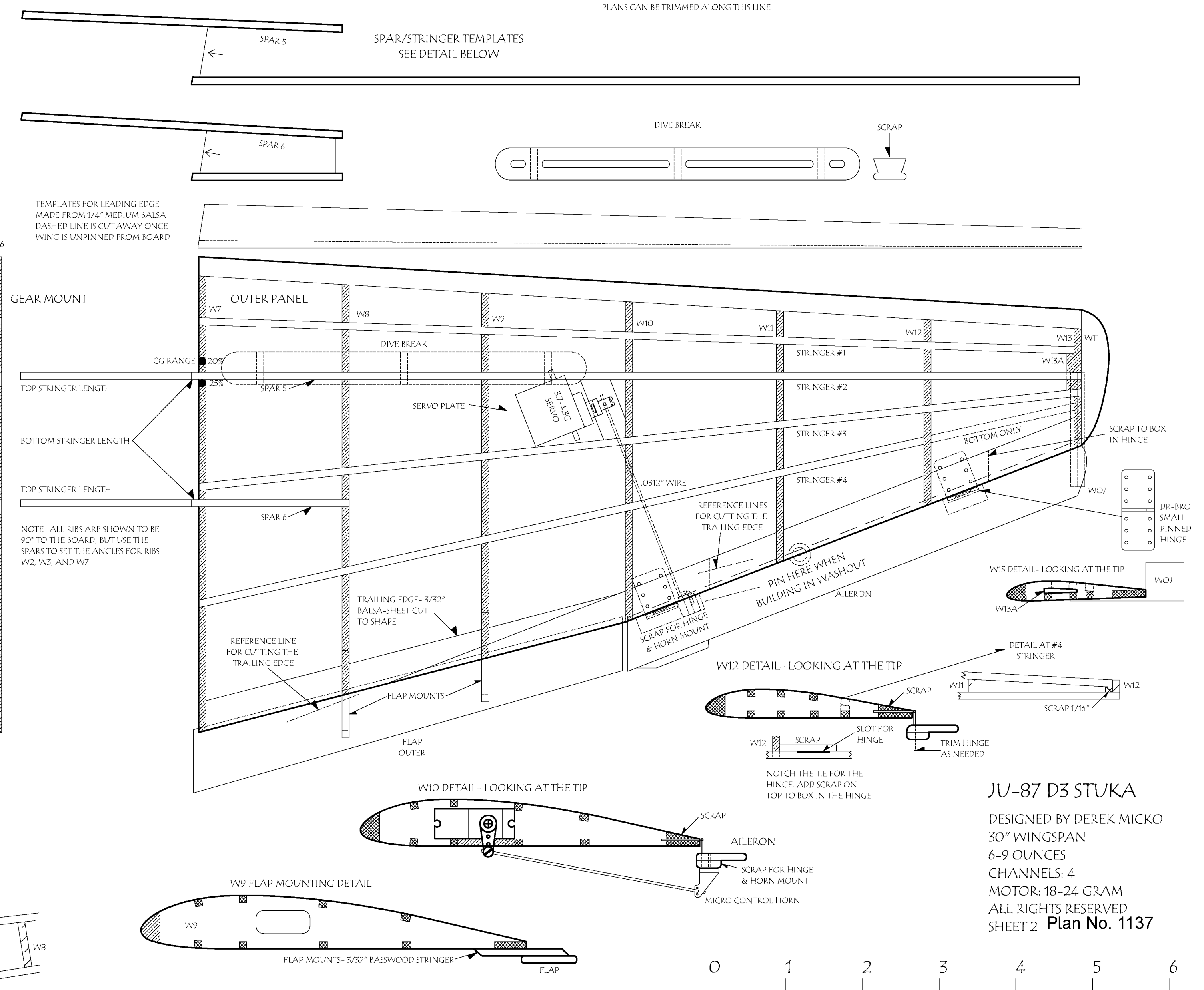
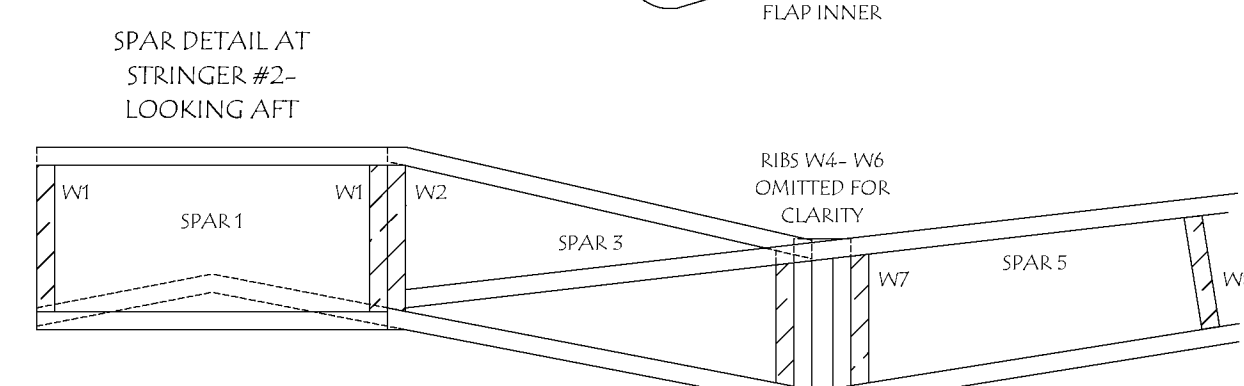
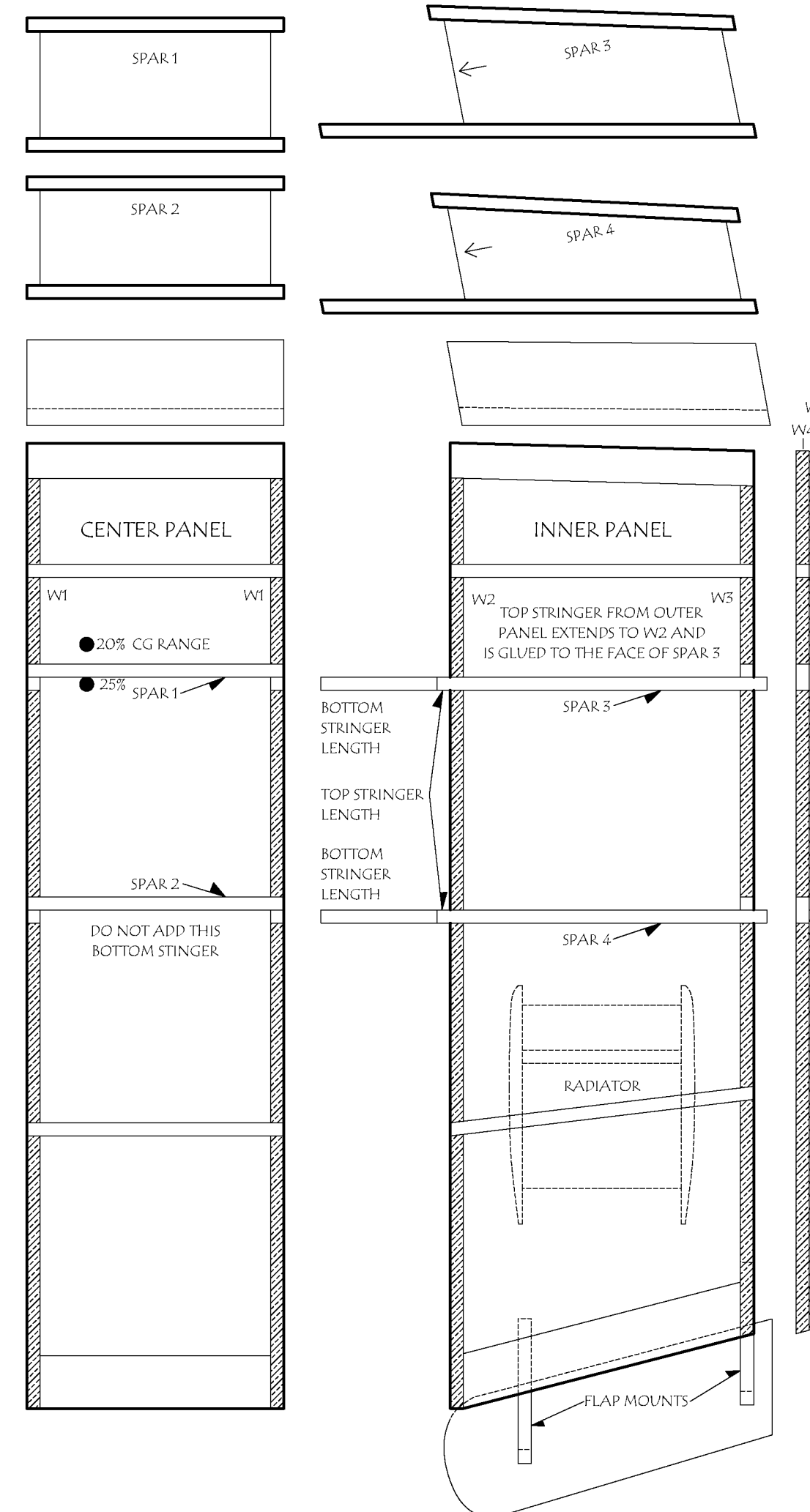


REAR OF WING
 CENTER SECTION (INTERNAL JIG)
 BUILDING BOARD
 STRINGER #1
 STRINGER #1
 STRINGER #1
 STRINGER #1
 CENTER SECTION (INTERNAL JIG)
 BUILDING BOARD
 REAR OF WING
 REAR OF WING

Copyright 2023 and **ModelAviation**
 Copying for resale of this drawing without
 the written approval or consent of AMA
 is expressly prohibited.

PLANS CAN BE TRIMMED ALONG THIS LINE



JU-87 D3 STUKA
 DESIGNED BY DEREK MICKO
 30" WINGSPAN
 6-9 OUNCES
 CHANNELS: 4
 MOTOR: 18-24 GRAM
 ALL RIGHTS RESERVED
 SHEET 2 Plan No. 1137