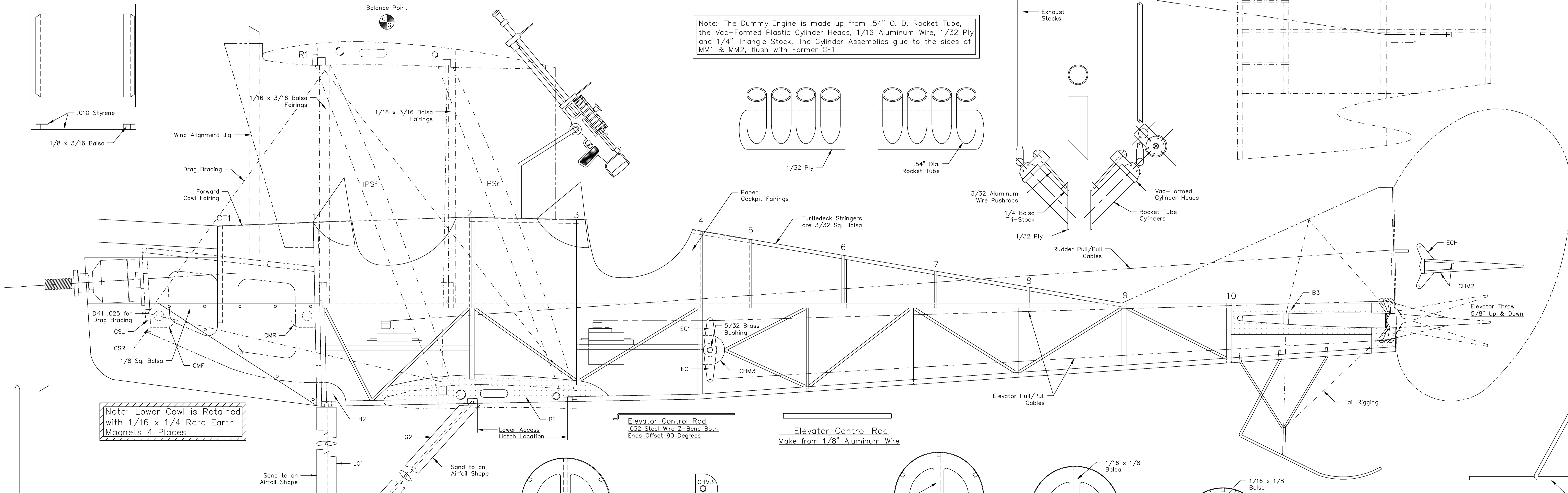
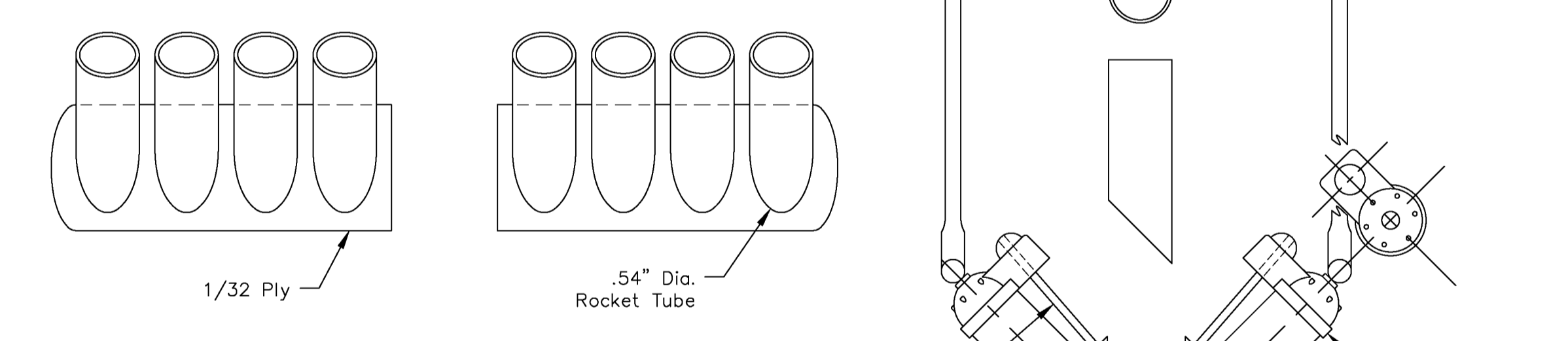


Note: The Dummy Engine is made up from .54" O. D. Rocket Tube, the Vac-Formed Plastic Cylinder Heads, 1/16 Aluminum Wire, 1/32 Ply and 1/4" Triangle Stock. The Cylinder Assemblies glue to the sides of MM1 & MM2, flush with Former CF1

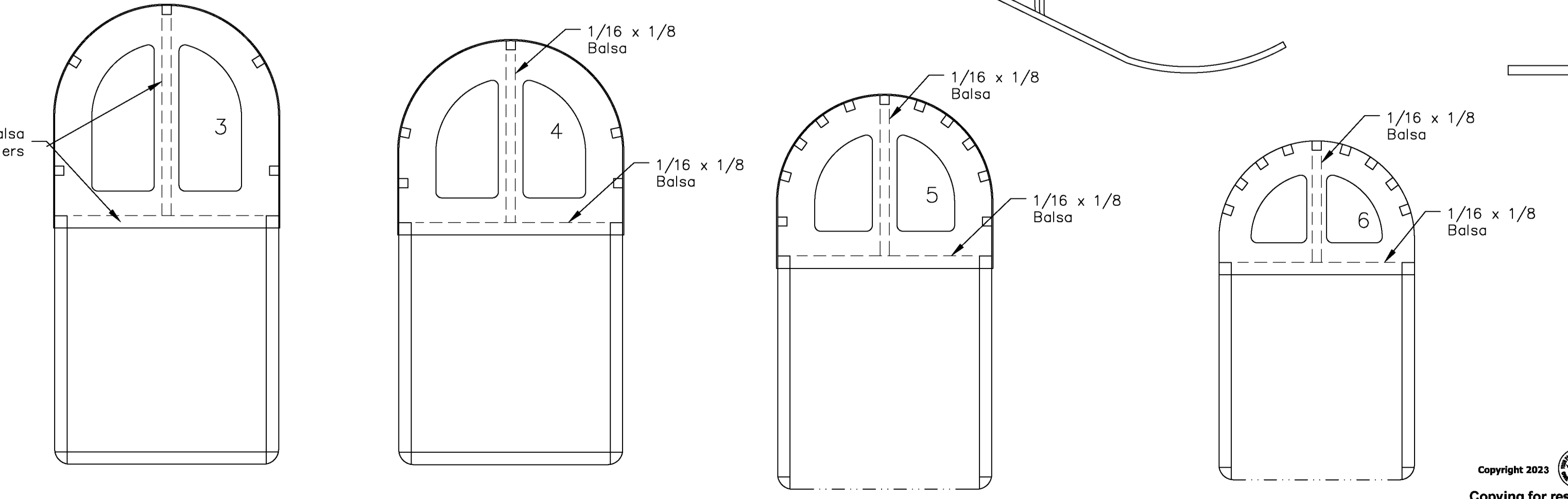
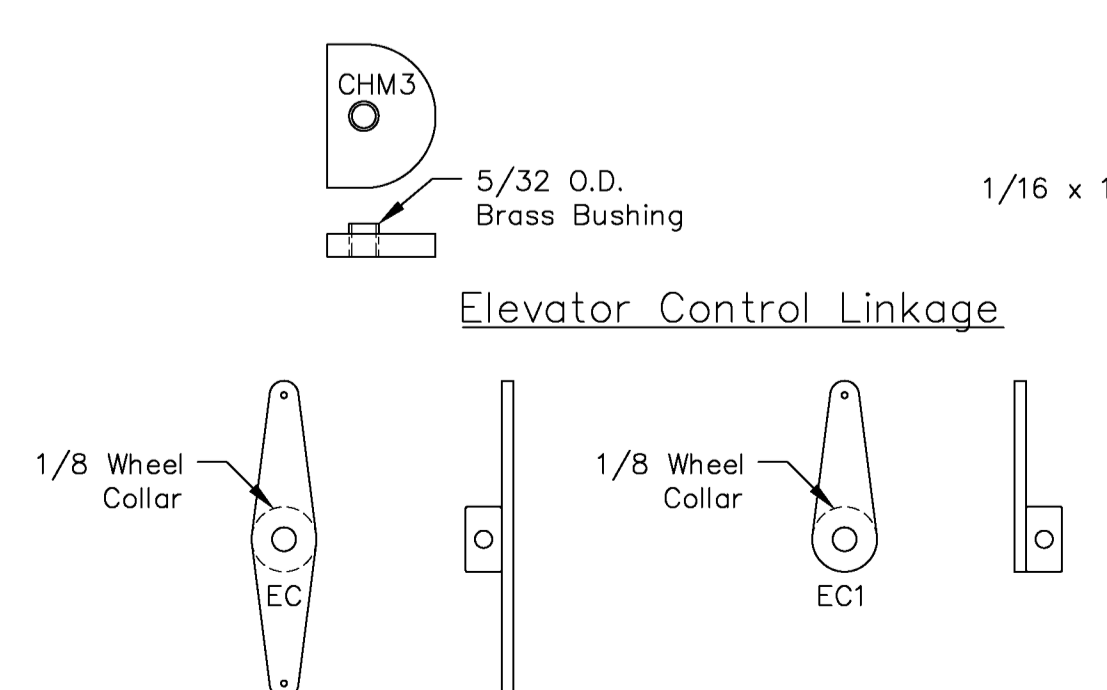
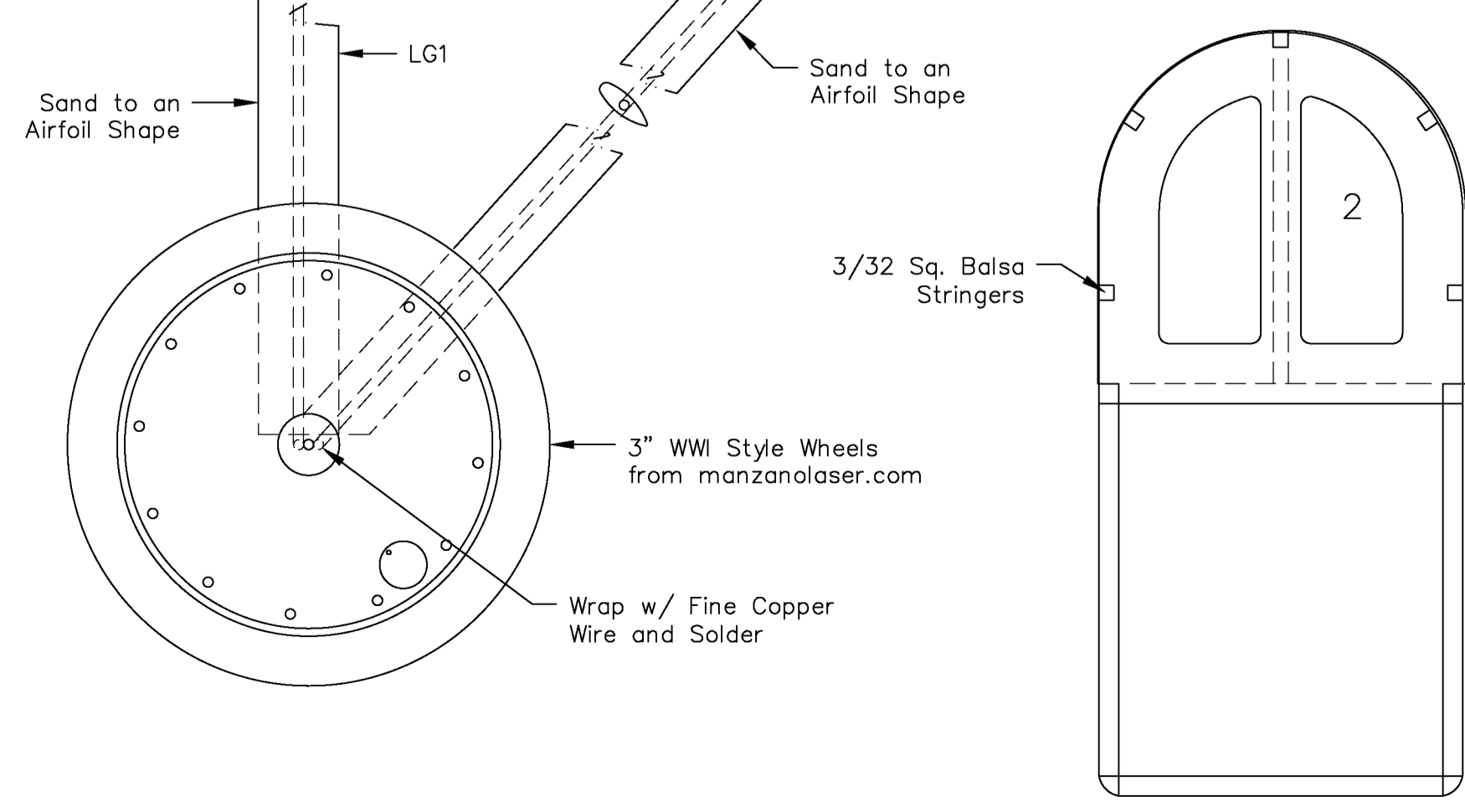


Note: Lower Cowl is Retained with 1/16 x 1/4 Rare Earth Magnets 4 Places

Elevator Control Rod
.032 Steel Wire Z-Bend Both Ends Offset 90 Degree

Elevator Control Rod
Make from 1/8" Aluminum Wire

1 inch reference square



Plan No.1139

R.A.F. B.E. 2c

| | |
|---------------------------------|-------------|
| Span: 50" | Length: 39" |
| Wing Area: 725 Sq. In. | |
| Flying Weight: 26.5 oz. | |
| Wing Loading: 5.25 Oz./ Sq. Ft. | |
| Designed by: Pat Tritle | |
| Sheet 1 of 3 © 6-23-2021 | |

Copyright 2023 and Modification
Copying for resale of this drawing without the written approval or consent of AMA is expressly prohibited.

Exhaust Stack
Make from Milliput or Carve from Bass Wood 2 Req.