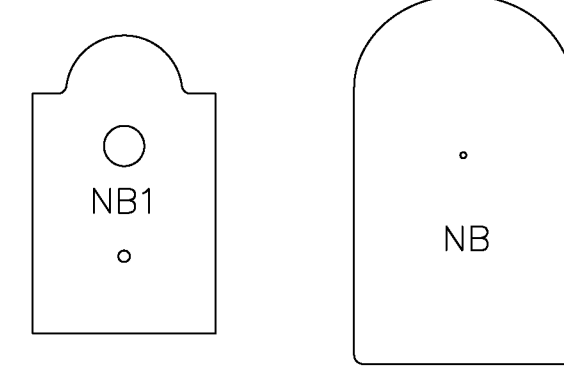
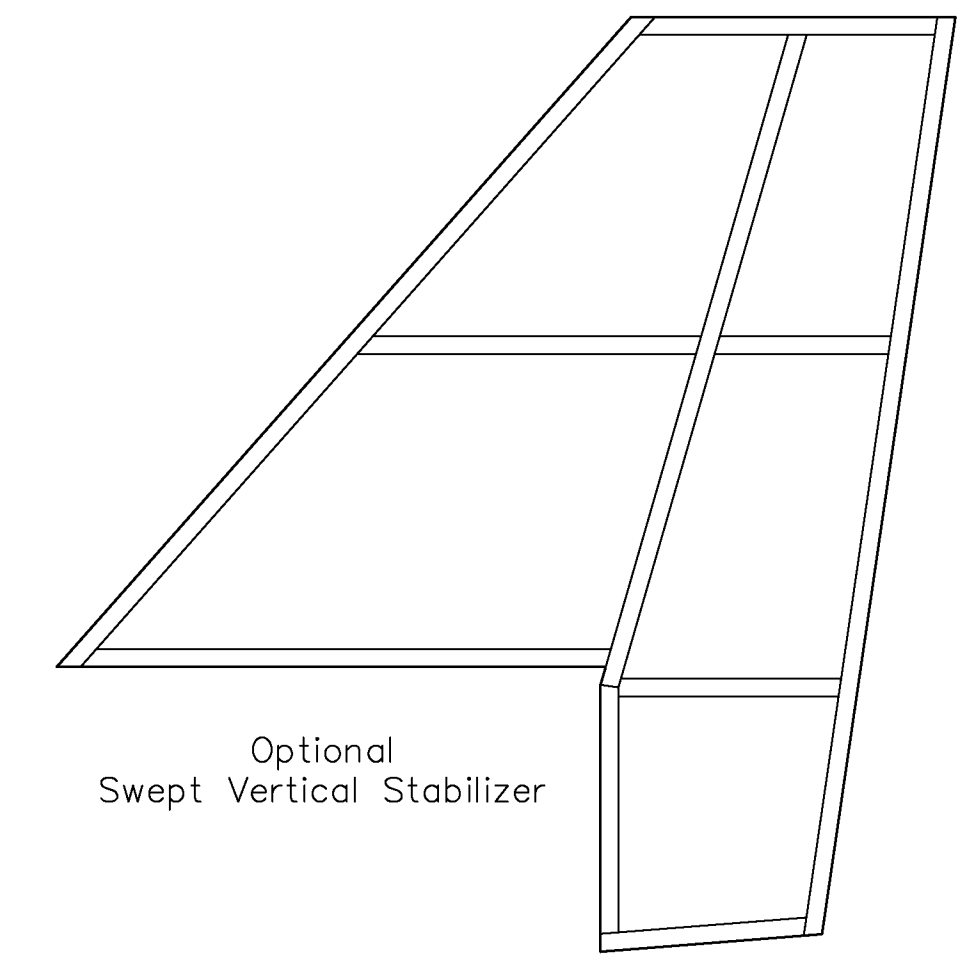
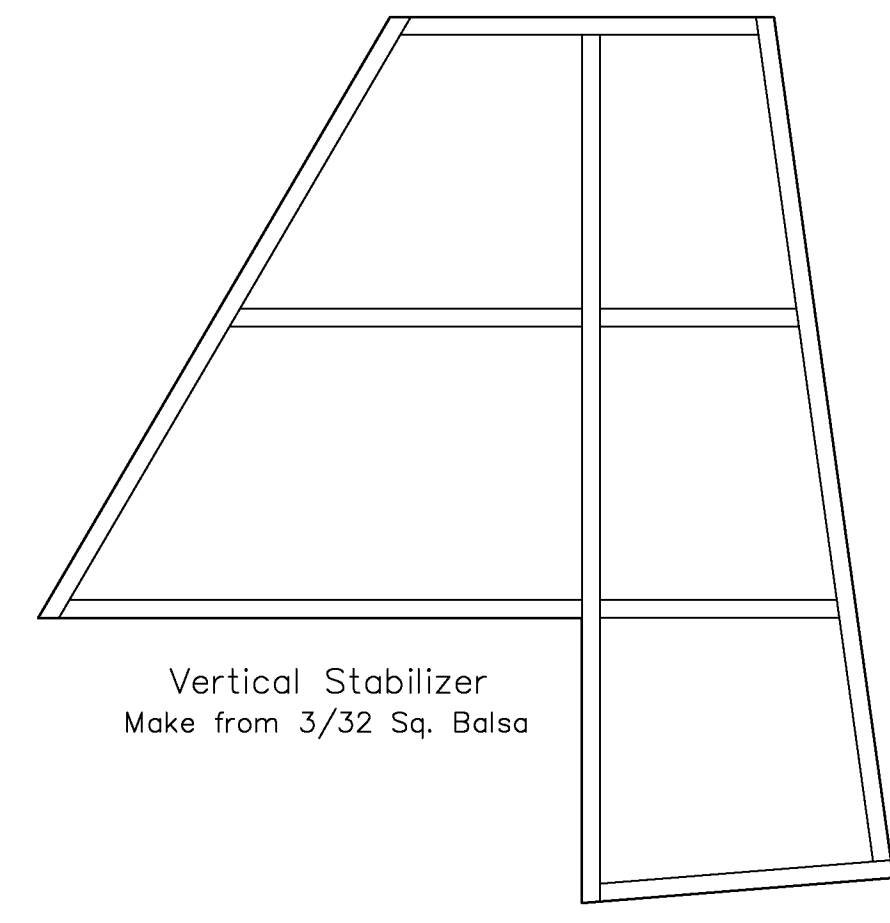
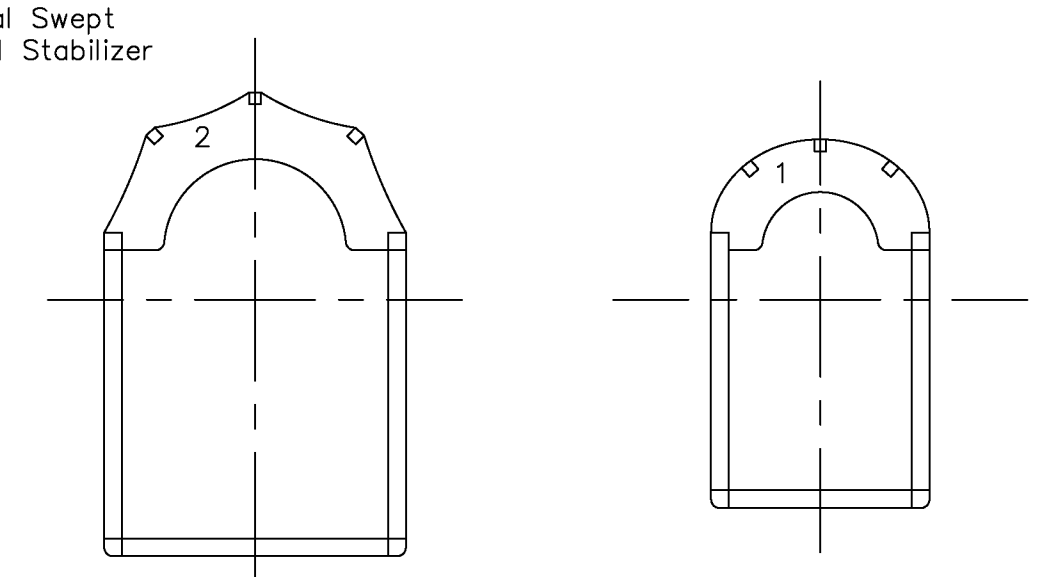
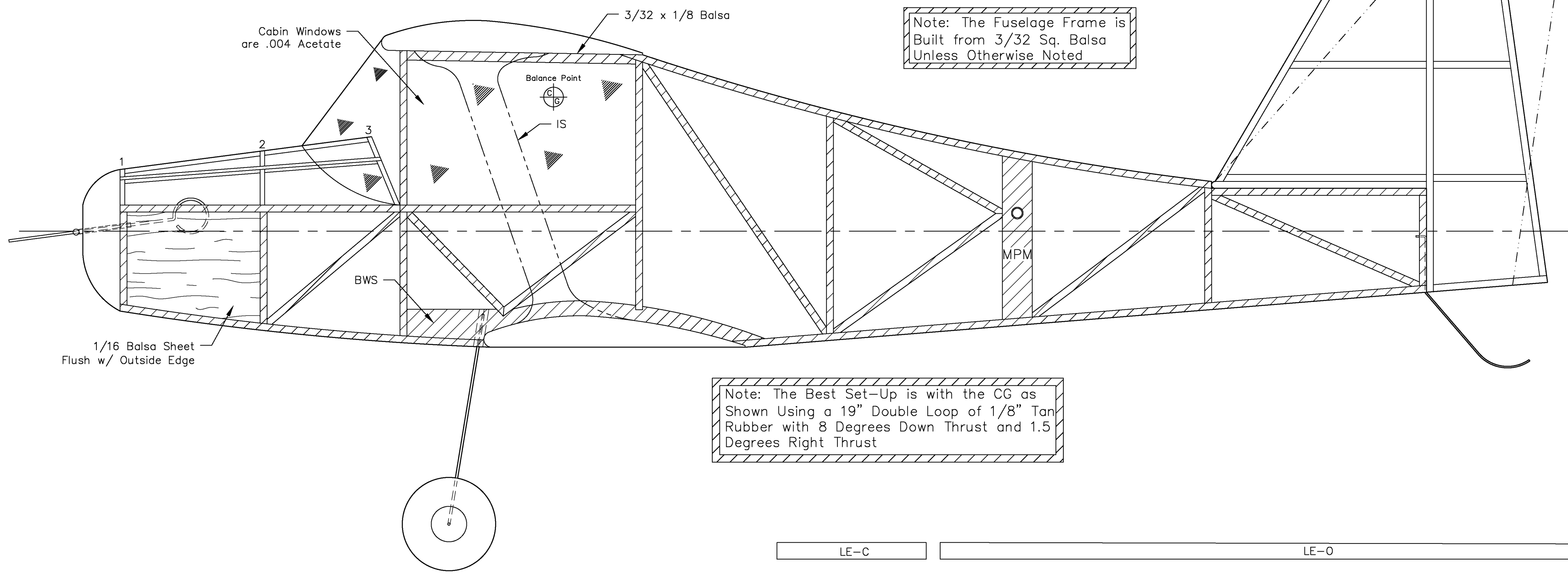
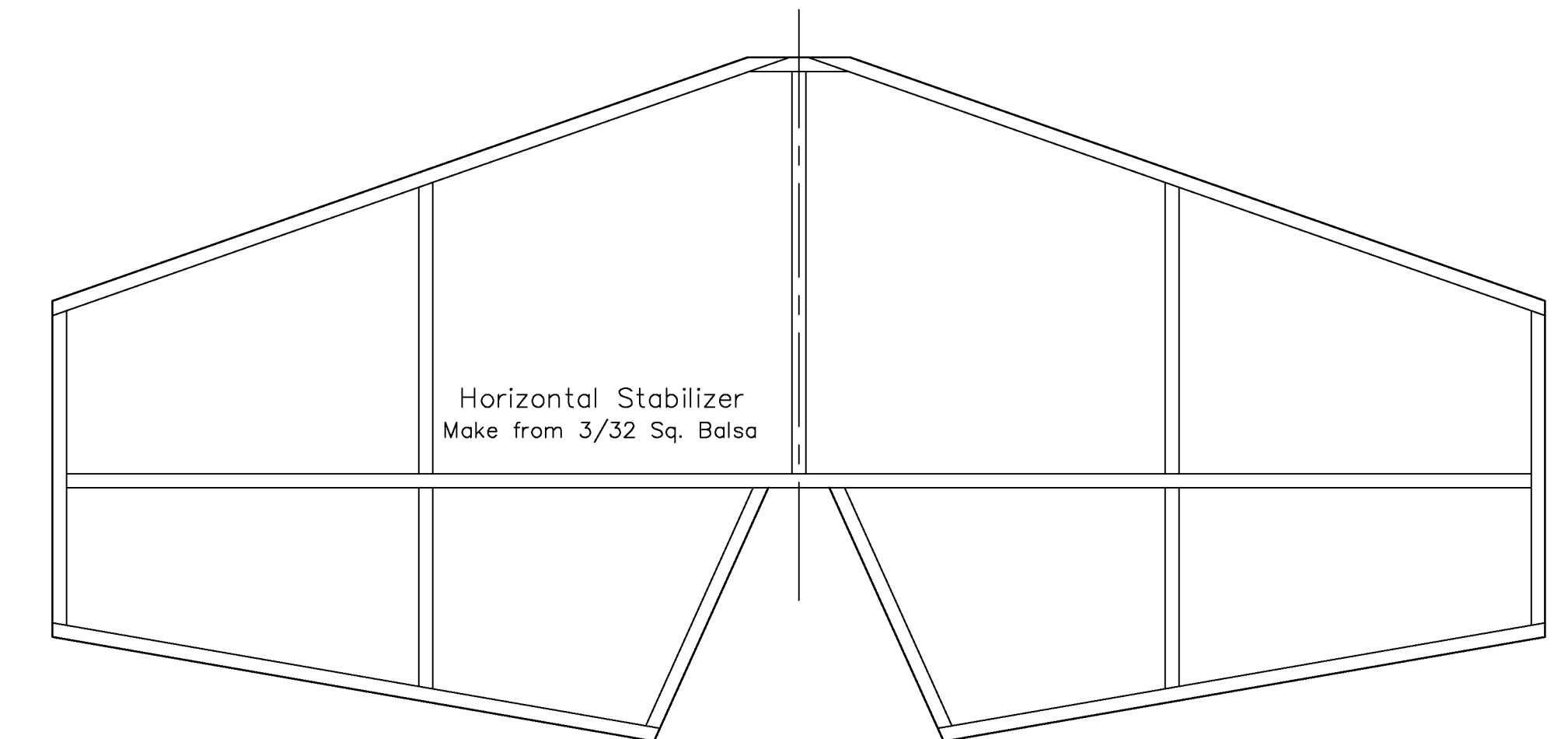
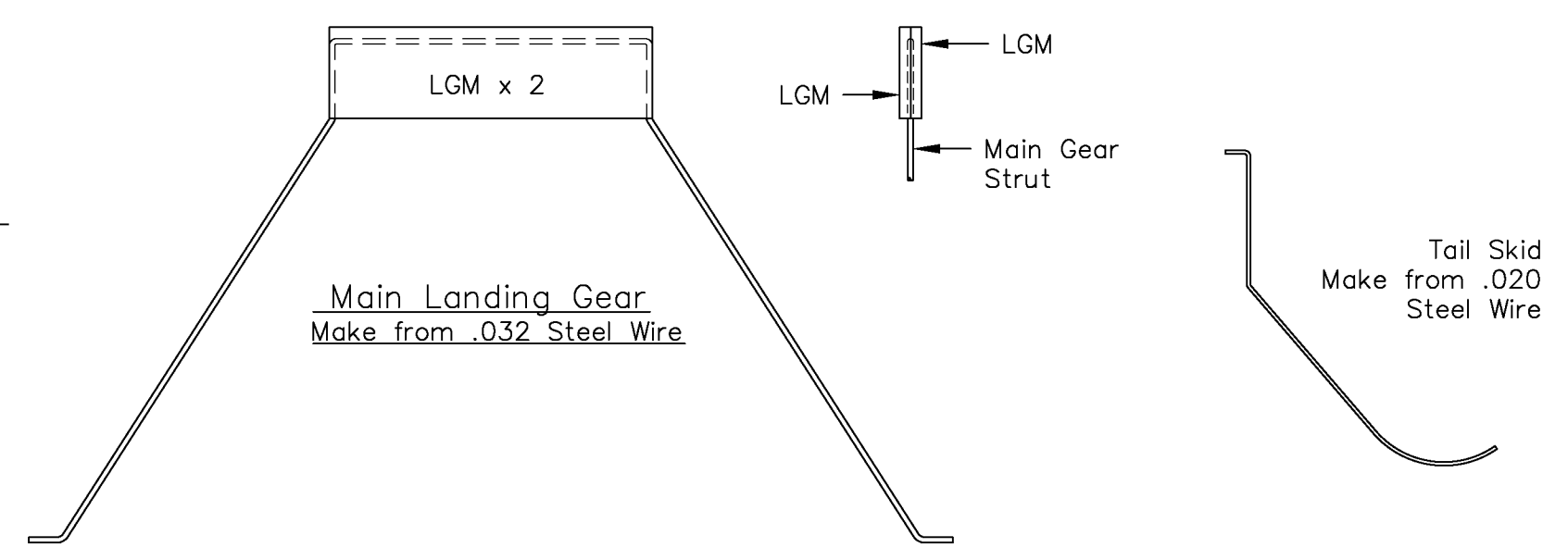
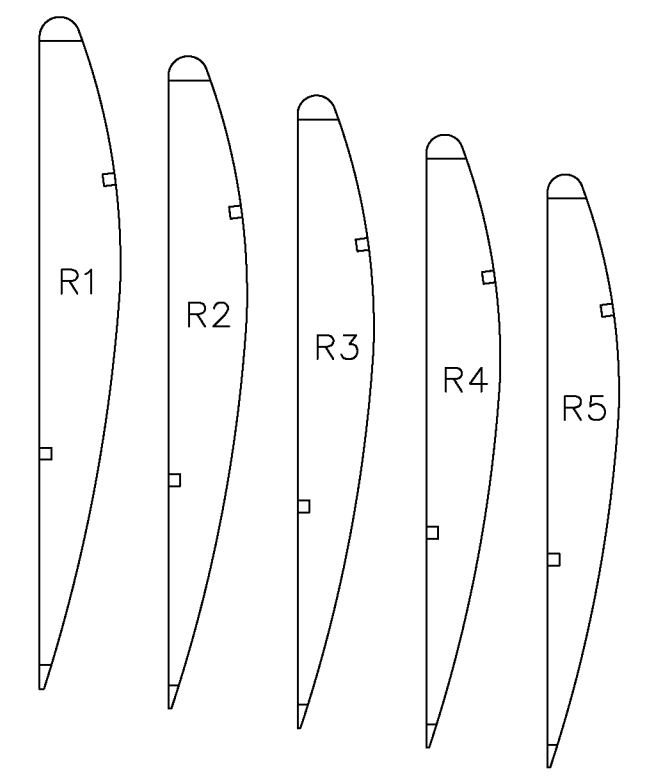
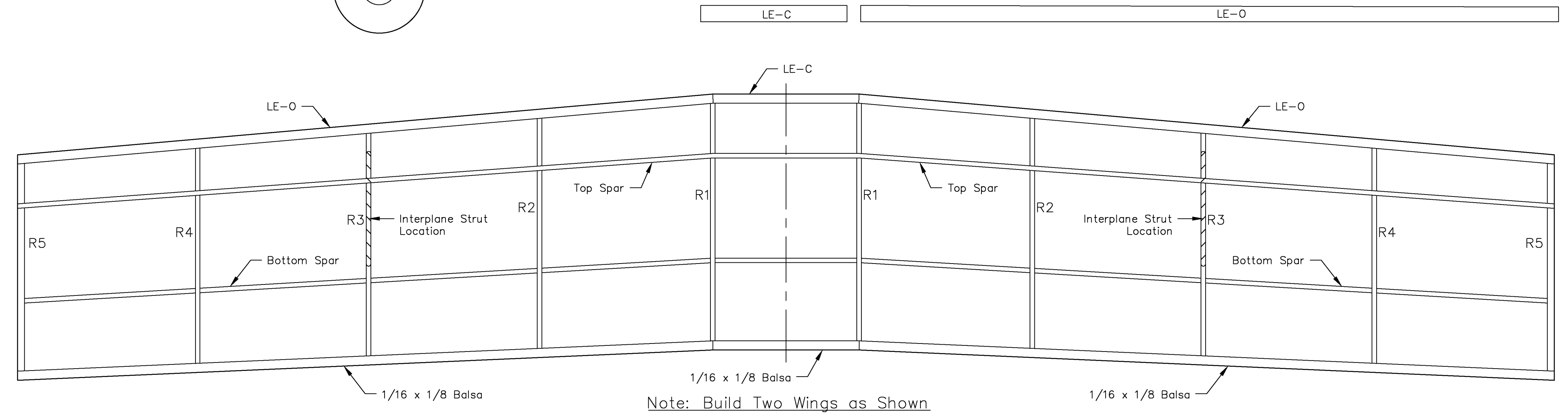
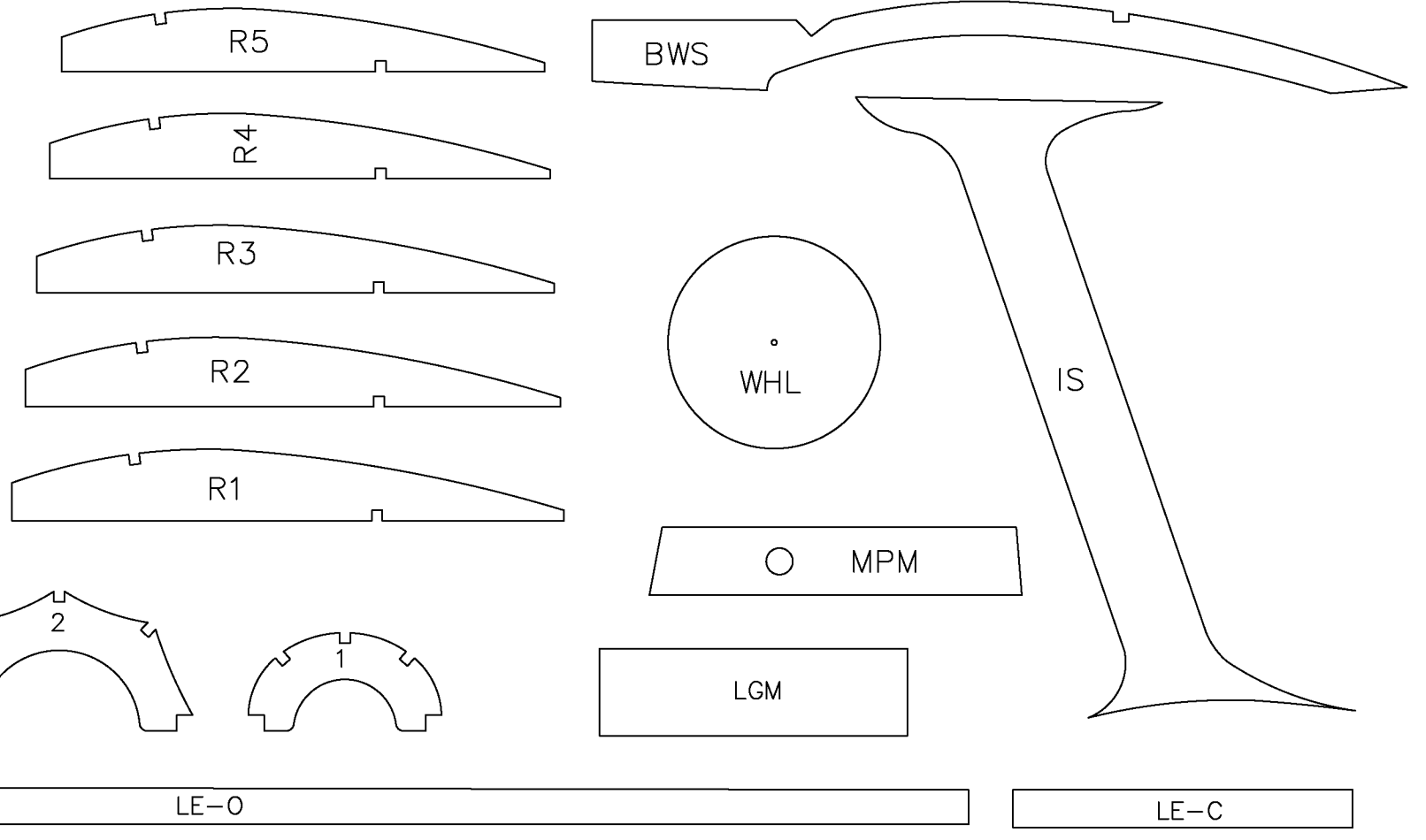


Motor Peg
5/32 O. D. Aluminum Tube

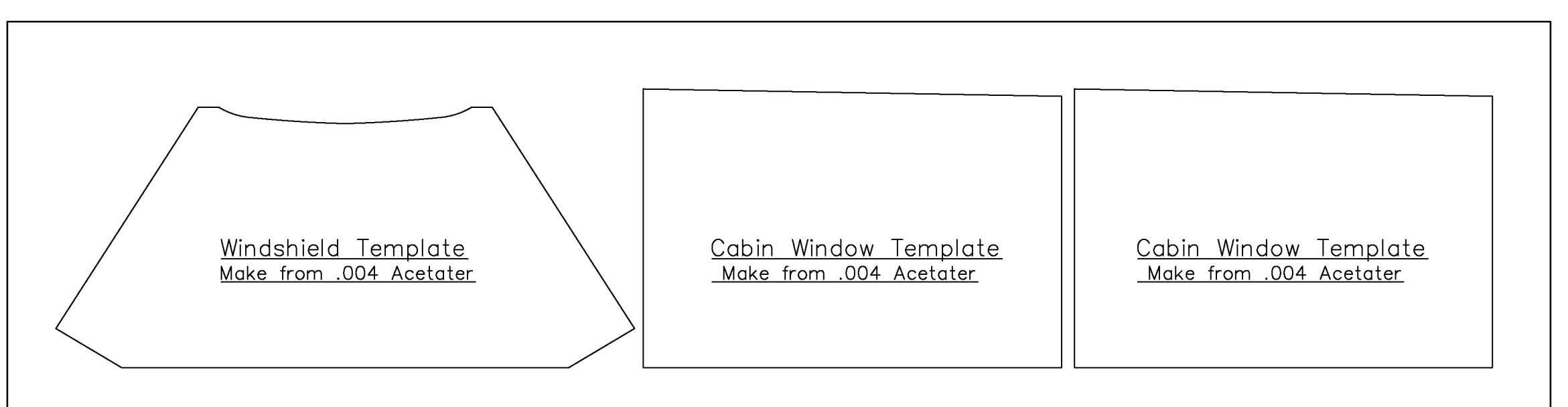
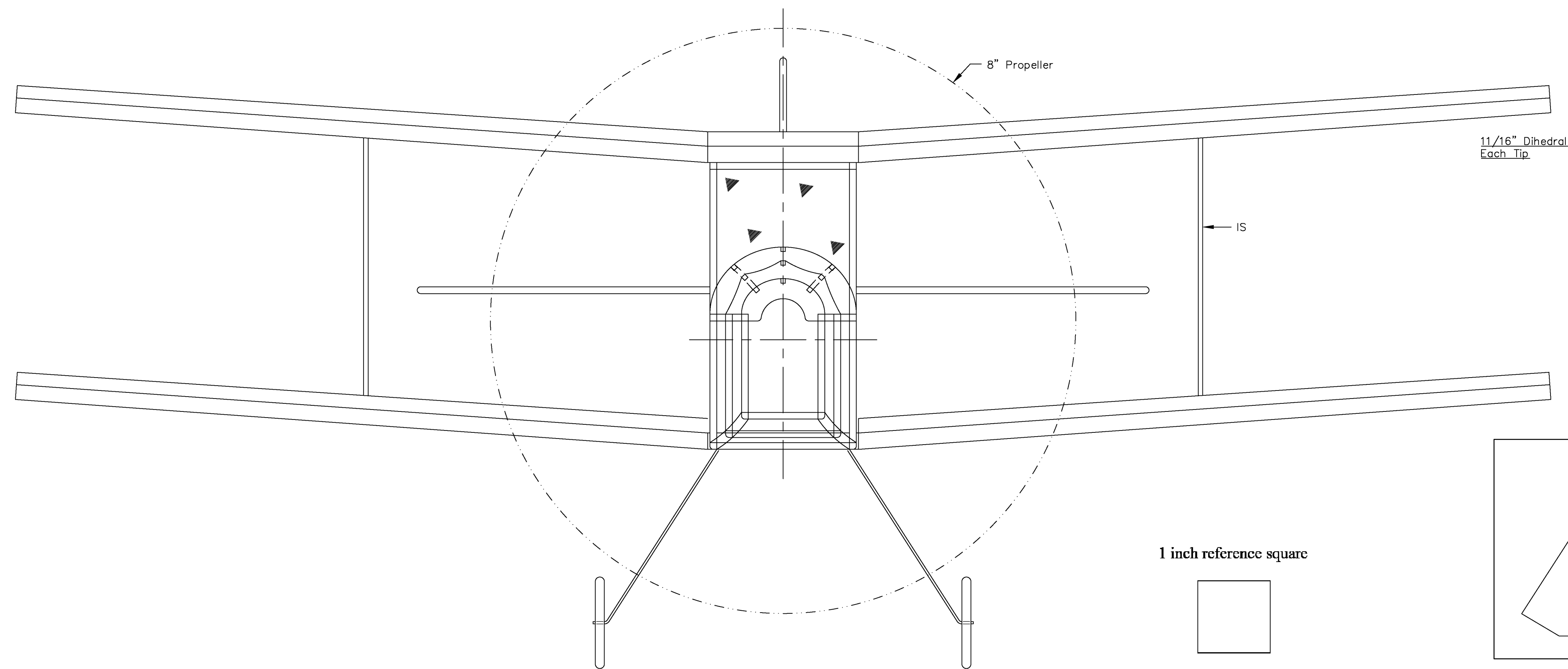
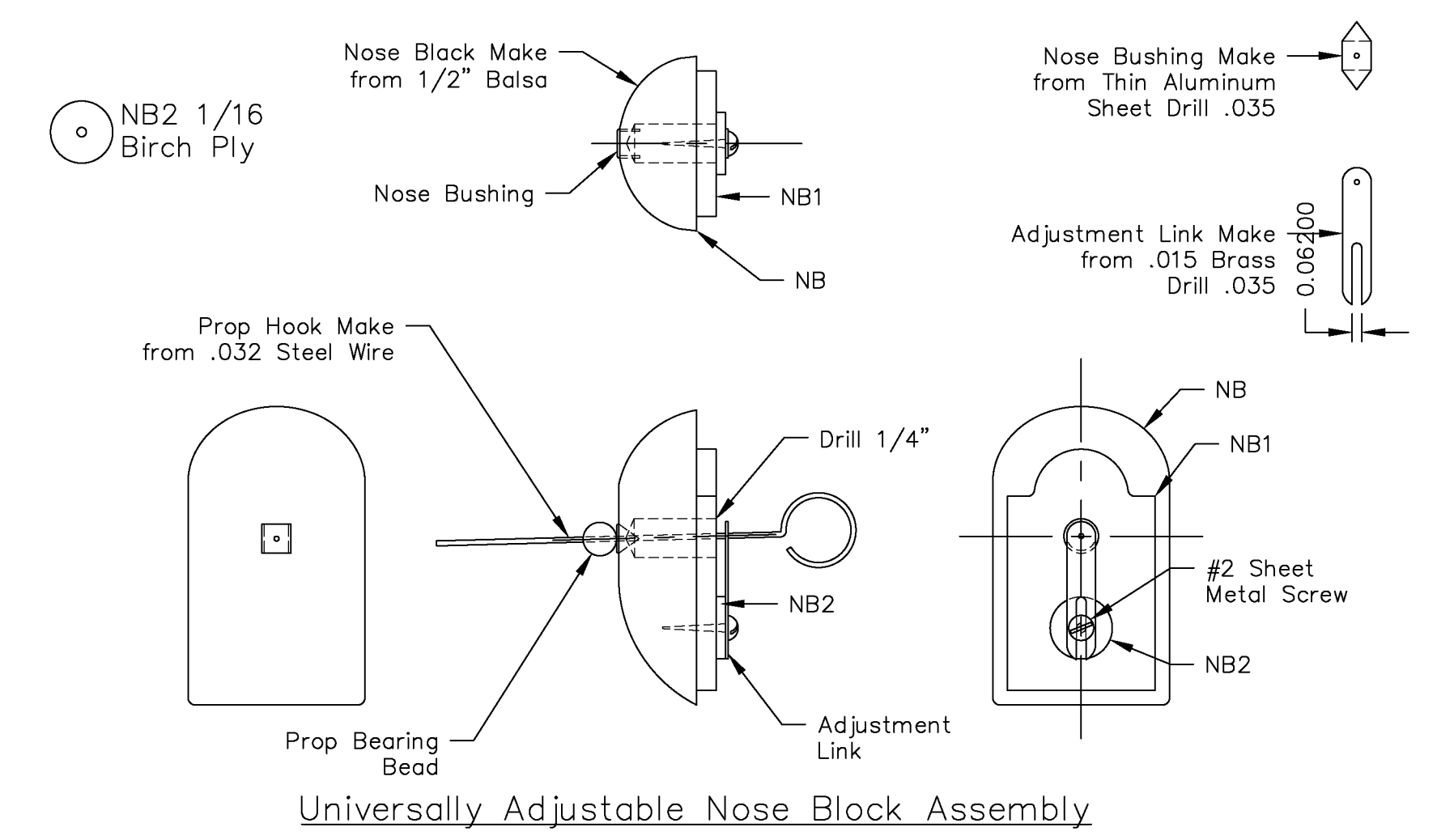


- R1 - R4: 1/16 Balsa 4 ea. Req.
 R5: 3/32 Balsa 4 Req.
 Formers 1 - 3: 1/16 Balsa 1 ea. Req.
 IS: 1/16 Balsa 2 Req.
 MPM: 3/32 Balsa 2 Req.
 BWS: 3/32 Balsa 2 Req.
 LE-C: 1/8 Balsa 4 Req.
 WHL: 1/16 Balsa 2 Req.
 LGM: 1/16 Balsa 2 Req.
 NB1: 1/8 Balsa 1 Req.
 NB2: 1/16 Ply 1 Req.



Materials List

- Wood:
 1/16 Sheet Balsa
 3/32 Sheet Balsa
 1/8 Sheet Balsa
 1/16 Birch Ply
 4- 1/16 Sq. Balsa
 2- 1/16 x 1/8 Balsa
 7- 3/32 Sq. Balsa
 1- 3/32 x 1/8 Balsa
 1/2 x 1 1/2 x 2 Balsa Block
- Metal:
 .020 Steel Wire
 .032 Steel Wire
 .015 Brass
 5/32 O. D. Aluminum Tube
 1/2" Sq. Aluminum (From a Beverage Can)
- Miscellaneous:
 .004" Acetate
 1- 7" Peck Polymers Propeller
 1- 19" Double Loop 1/8 Tan Rubber



Copyright 2020 and **ModelAviation**
 Copying for resale of this drawing without the written approval or consent of AMA is expressly prohibited.

Dosalas **Plan No. 1123**

Wing Span: 21"	Length: 20"
Area: 139 Sq. In.	Wt.: 59.6 Gr. (w/ Motor)
Designed By P. Tritle © 6/16/2020	